

88 5531 12

Bedford Entertainment Stand

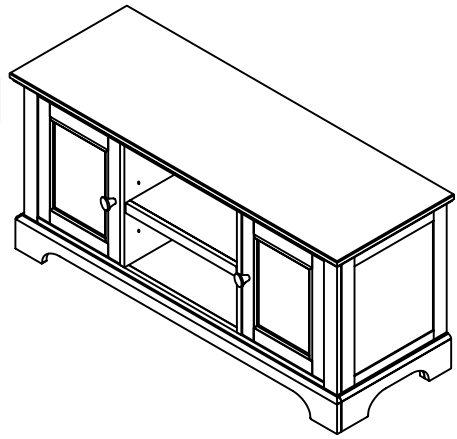
IMPORTANT NOTE

Carefully remove all the parts from the carton and put them individually on a soft cloth to prevent scratches or other damages occurring to the wood parts.

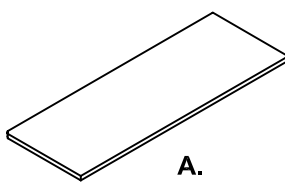
We have taken great care in the design of this product and request that you carefully and strictly follow our assembly instructions to ensure a completed product as it was designed.



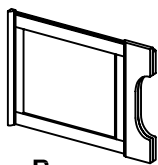
Casual Attire For Today's Home



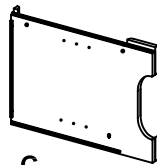
Part List



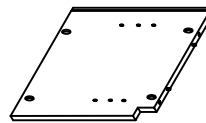
A. Top
1 pc.



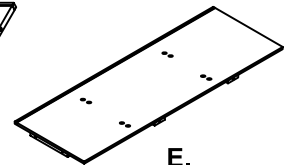
B. Side Panel
1 pc.



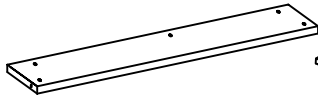
C. Side Panel
1 pc.



D. Middle Panel
2 pcs.

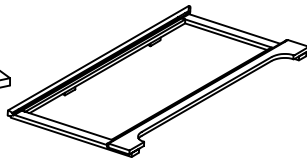


E. Base
1 pc.

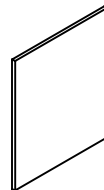


F. Back Support
1 pc.

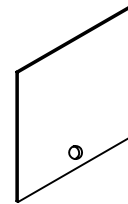
Back Support



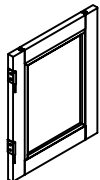
G. Front Frame
1 pc.



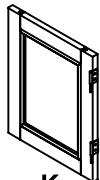
H. Back Panel
2 pcs.



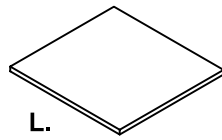
I. Back Panel
1 pc.



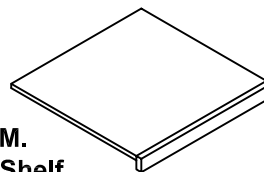
J. Door
1 pc.



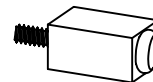
K. Door
1 pc.



L. Shelf
2 pcs.



M. Shelf
1 pc.

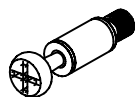


N. Leg Support
1 pc.

Hardware List



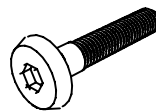
Cam Lock
19 pcs. (+1 extra)



Cam Lock Screw
19 pcs. (+1 extra)



Plastic Cap
19 pcs. (+1 extra)



Head Cap Bolt
11 pcs. (+1 extra)



Flat Washer
11 pcs. (+1 extra)



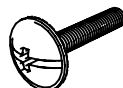
Spring Washer
11 pcs. (+1 extra)



Hex Wrench
1 pc.



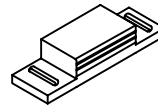
Adjustable Pin
12 pcs. (+1 extra)



Machine Screw
2 pcs.



Pull Handle
2 pcs.



Magnet
2 pcs.



Wood Screw for Magnet
4 pcs. (+1 extra)

Tools required for assembly : Phillips screwdriver

Assembly Instructions 2/5

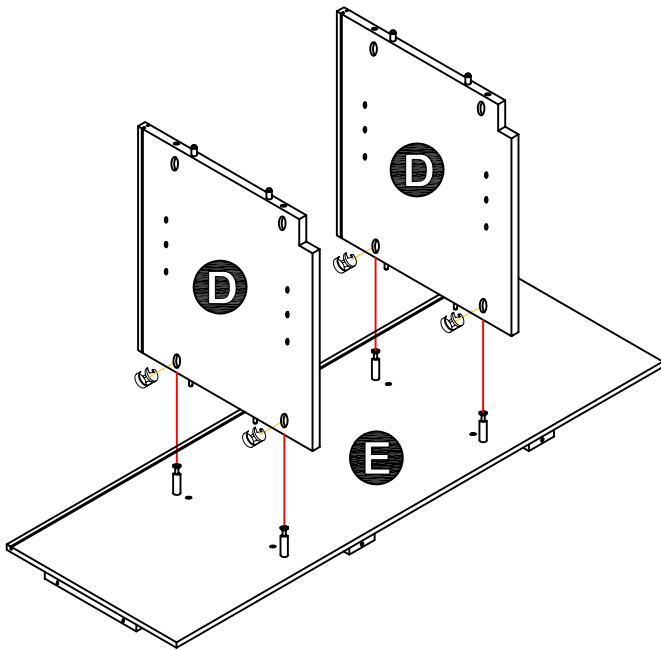
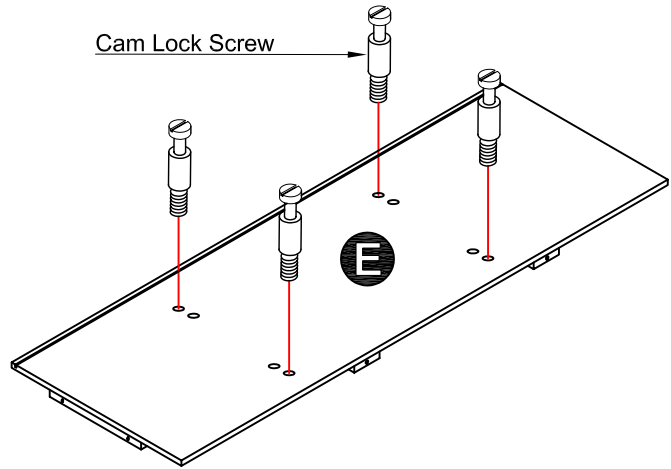
IMPORTANT

Do not Tighten up all the screws until each part is properly assembled.

You should keep Hex Wrench in the safe place as you may need to tighten up the Head Cap Bolts in the future.

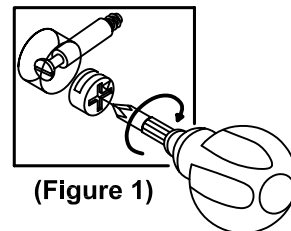
STEP 1

Insert Cam Lock Screws into the pre-drilled holes of Base (E).



STEP 2

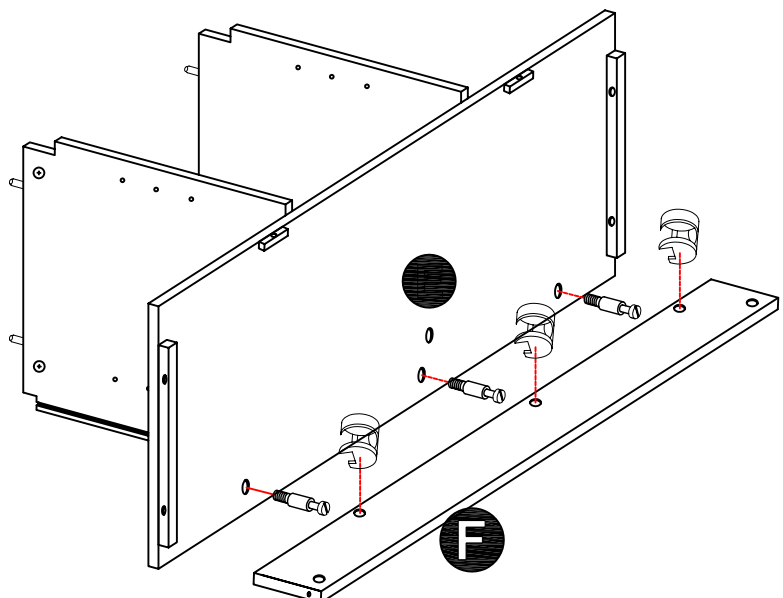
Attach Middle Panel (D) onto Base (E) with Cam Locks. (See figure 1)



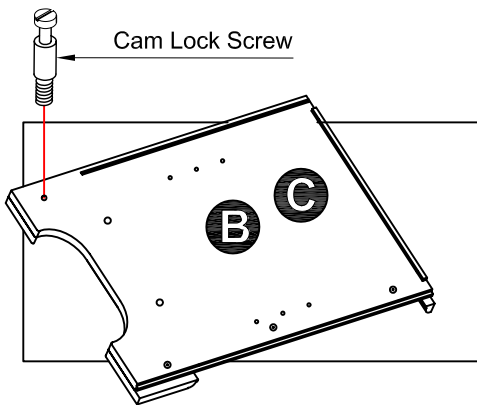
STEP 3

Put the Cam Lock Screws into the pre-drilled holes at the underside of Base (E)

Attach Back Support (F) to Base (E) with Cam Locks.



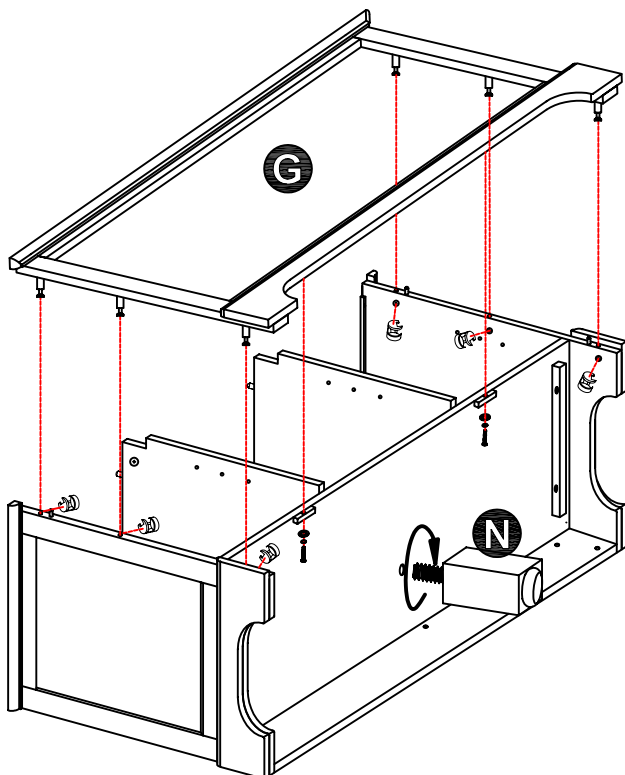
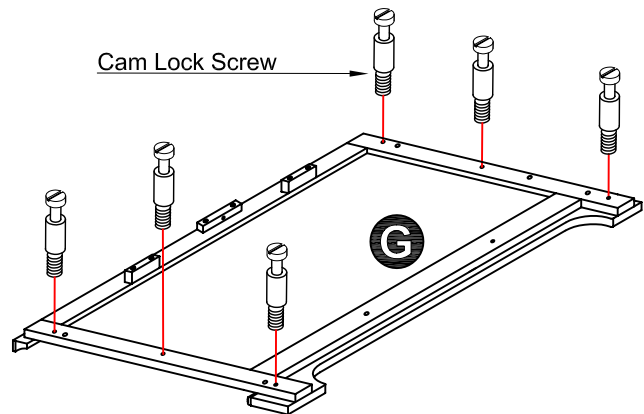
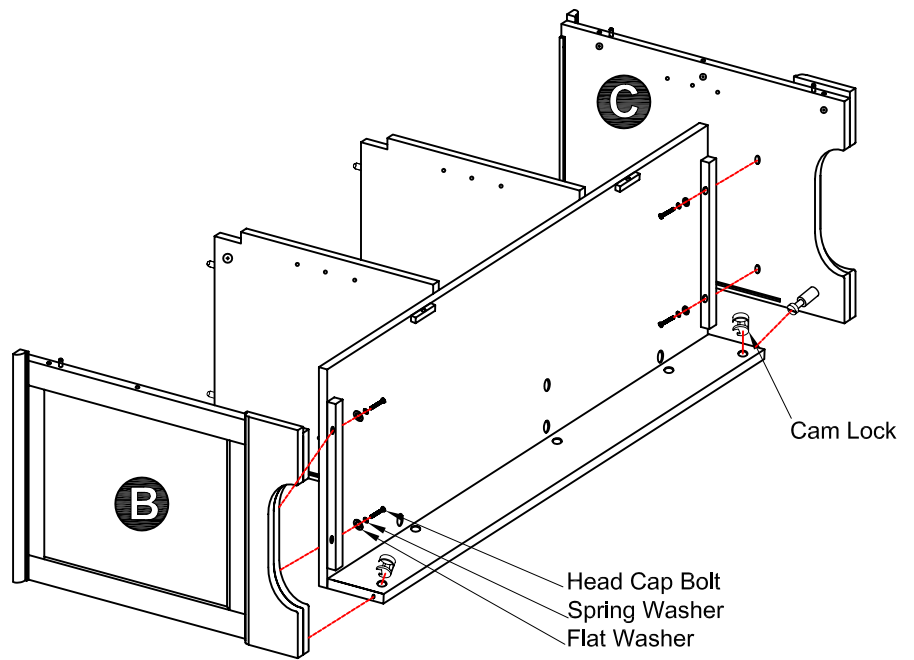
Assembly Instructions 3/5



STEP 4

Insert Cam Lock Screws into the pre-drilled holes of Side Panels (B) and (C).

Attach the both side panels to the unit with Cam Locks, Flat Washers, Spring Washers and Head Cap Bolts.



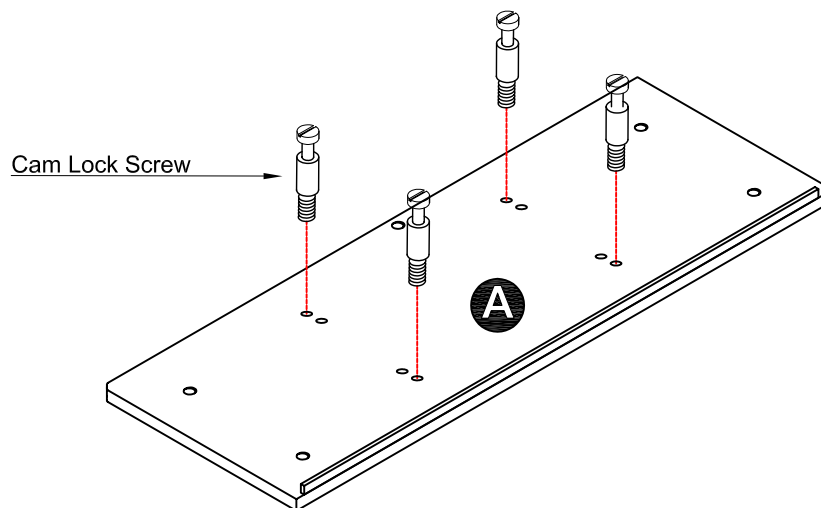
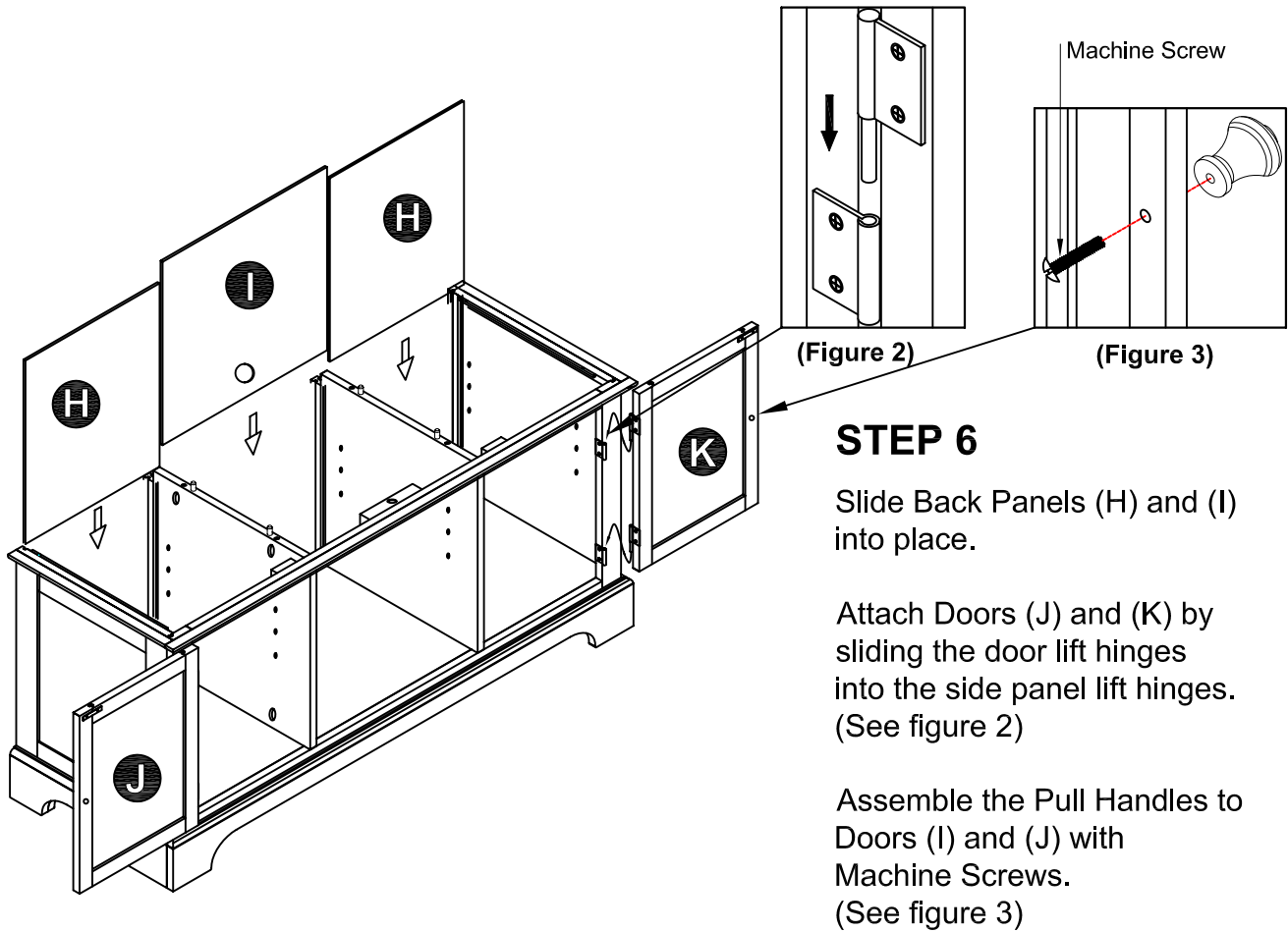
STEP 5

Insert Cam Lock Screws into the pre-drilled holes of Front Frame (G).

Place Front Frame (G) onto the unit with Cam Locks.

Tighten up Support Leg (N) at the pre-drilled hole of unit.

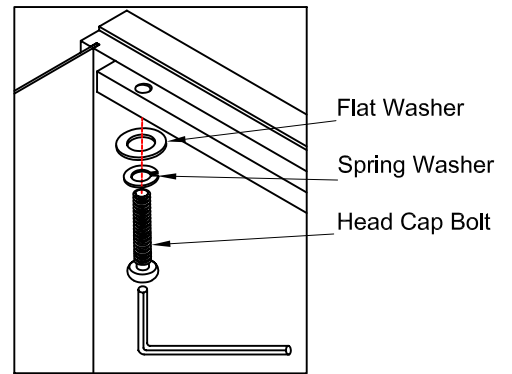
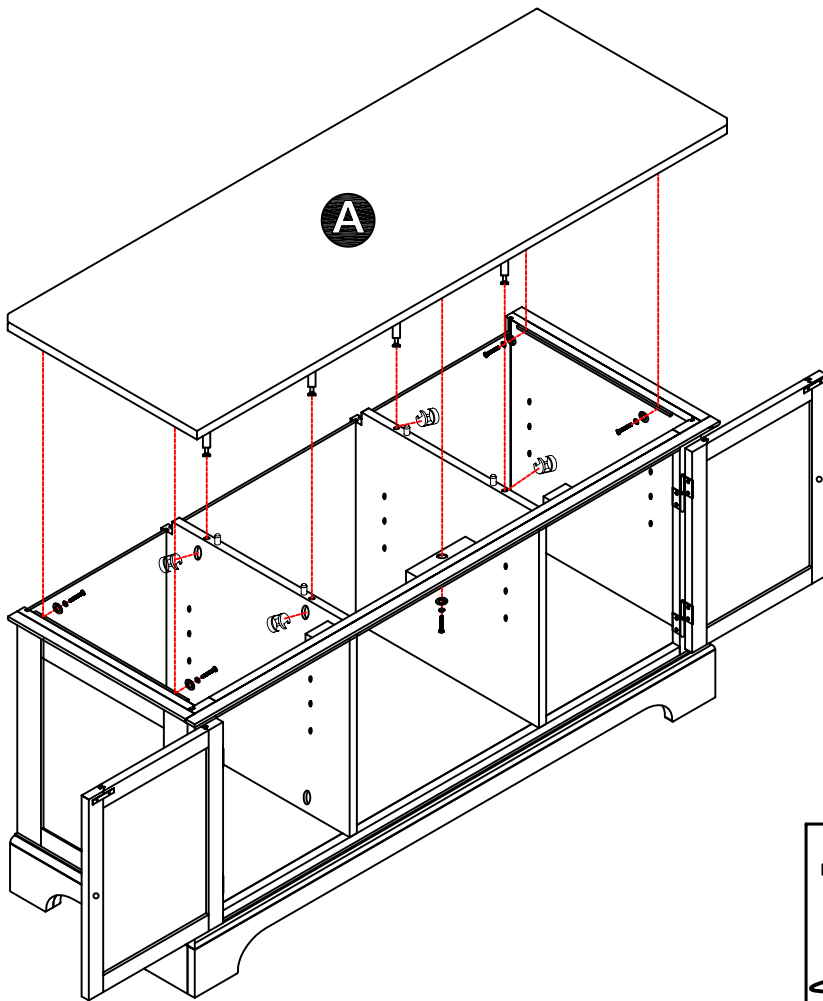
Assembly Instructions 4/5



STEP 7

Insert Cam Lock Screws into the pre-drilled holes of Top (A).

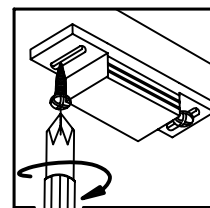
Assembly Instructions 5/5



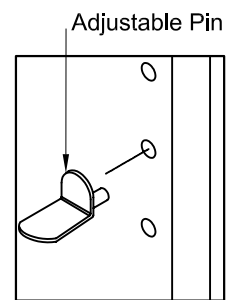
(Figure 4)

STEP 8

Place Top (A) onto the unit, using Cam Locks, Flat Washers, Spring Washers and Head Cap Bolts. (See figure 4)



(Figure 5)



(Figure 6)

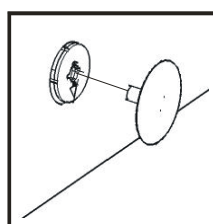
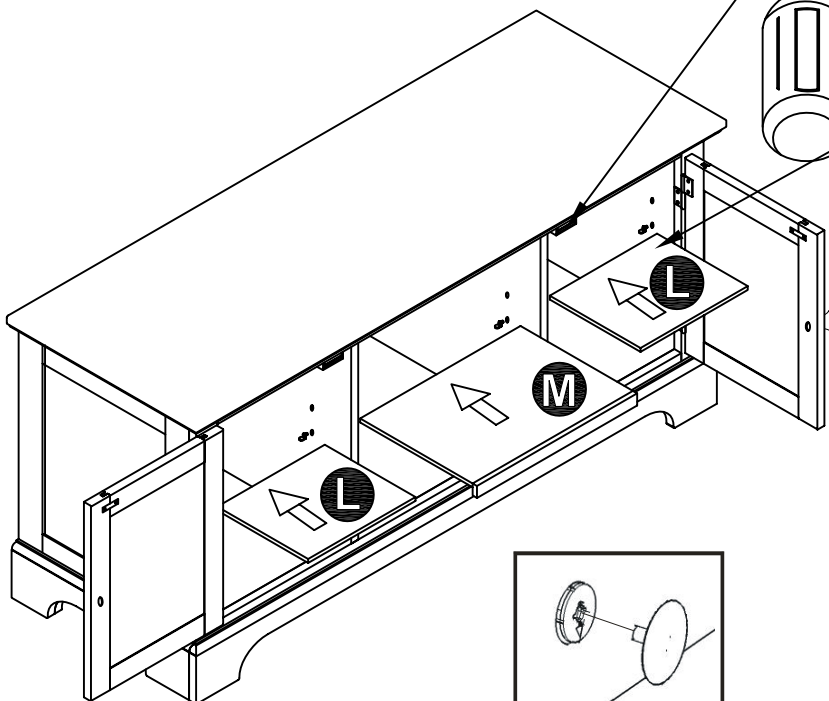
STEP 9

Attach the Magnet to the pre-drilled holes of the unit with Wood Screws. (See figure 5)

Insert Adjustable Pin into the side panels at the design level. (See figure 6)

Place Shelves (K) and (L) into position.

Cover up Cam Lock's holes with Plastic Caps. (See figure 7)



(Figure 7)