

# 88 5177 692 Corner Curio Cabinet (White Finish)

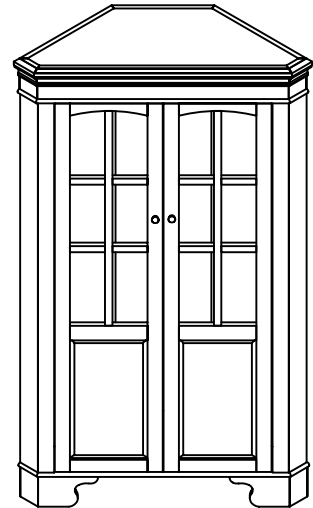
## IMPORTANT NOTE

Carefully remove all the parts from the carton and put them individually on a soft cloth to prevent scratches or other damages occurring to the wood parts.

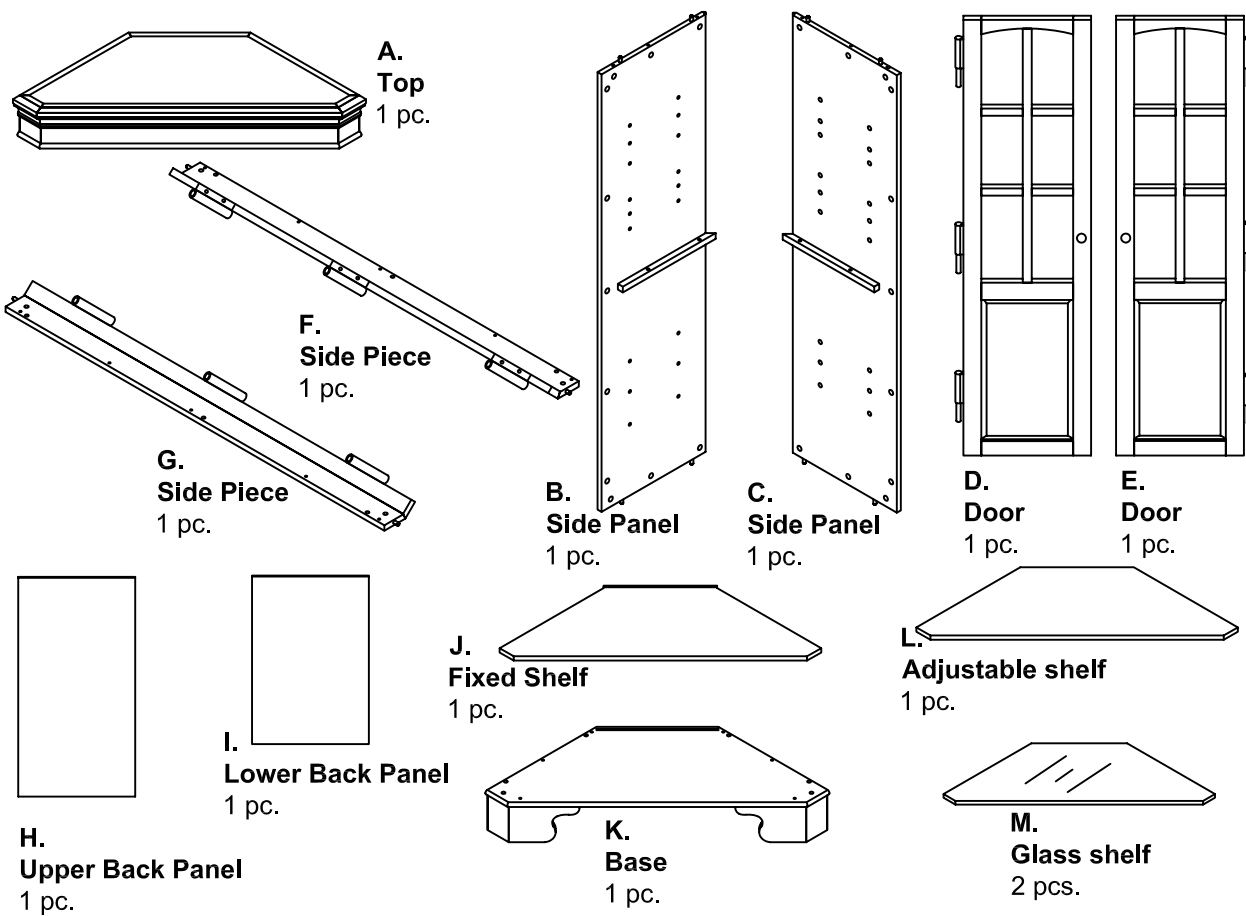
We have taken great care in the design of this product and request that you carefully and strictly follow our assembly instructions to ensure a completed product as it was designed.



Casual Attire For Today's Home



## Part List



## Hardware List



**Cam Lock**  
26 pcs.  
(+1 extra)



**Cam Lock Screw**  
26 pcs. (+1 extra)



**Plastic Cap**  
26 pcs. (+1 extra)



**Head Cap Bolt**  
4 pcs. (+1 extra)



**Flat Washer**  
4 pcs. (+1 extra)



**Spring Washer**  
4 pcs. (+1 extra)



**Hex Wrench**  
1 pc.



**Adjustable Pin**  
12 pcs. (+1 extra)



**Machine Screw**  
2 pcs.



**Knob**  
2 pcs.



**Magnet**  
4 pcs.



**Wood Screw for Magnet**  
8 pcs. (+1 extra)

# 88 5177 694 Corner Curio Cabinet (Black Finish)

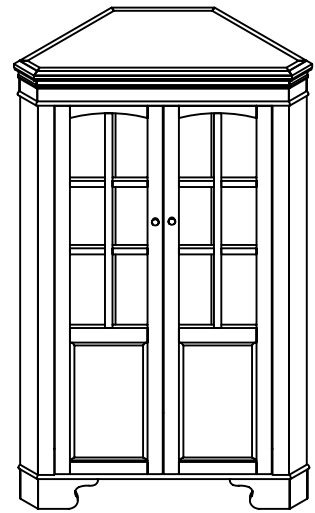
## IMPORTANT NOTE

Carefully remove all the parts from the carton and put them individually on a soft cloth to prevent scratches or other damages occurring to the wood parts.

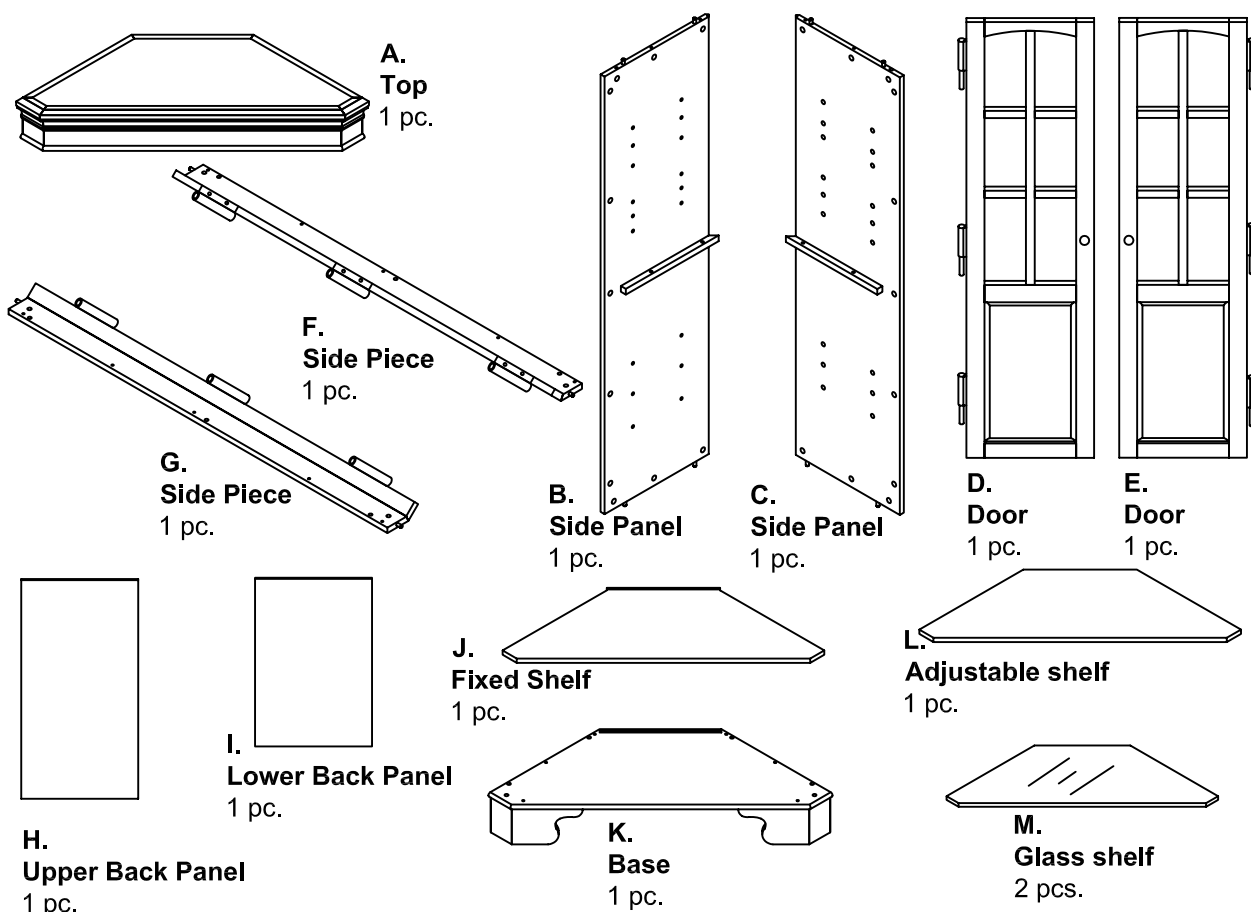
We have taken great care in the design of this product and request that you carefully and strictly follow our assembly instructions to ensure a completed product as it was designed.



Casual Attire For Today's Home



## Part List



## Hardware List



**Cam Lock**  
26 pcs.  
(+1 extra)



**Cam Lock Screw**  
26 pcs. (+1 extra)



**Plastic Cap**  
26 pcs. (+1 extra)



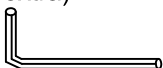
**Head Cap Bolt**  
4 pcs. (+1 extra)



**Flat Washer**  
4 pcs. (+1 extra)



**Spring Washer**  
4 pcs. (+1 extra)



**Hex Wrench**  
1 pc.



**Adjustable Pin**  
12 pcs. (+1 extra)



**Machine Screw**  
2 pcs.



**Knob**  
2 pcs.



**Magnet**  
4 pcs.



**Wood Screw for Magnet**  
8 pcs. (+1 extra)

# Assembly Instructions 2/5

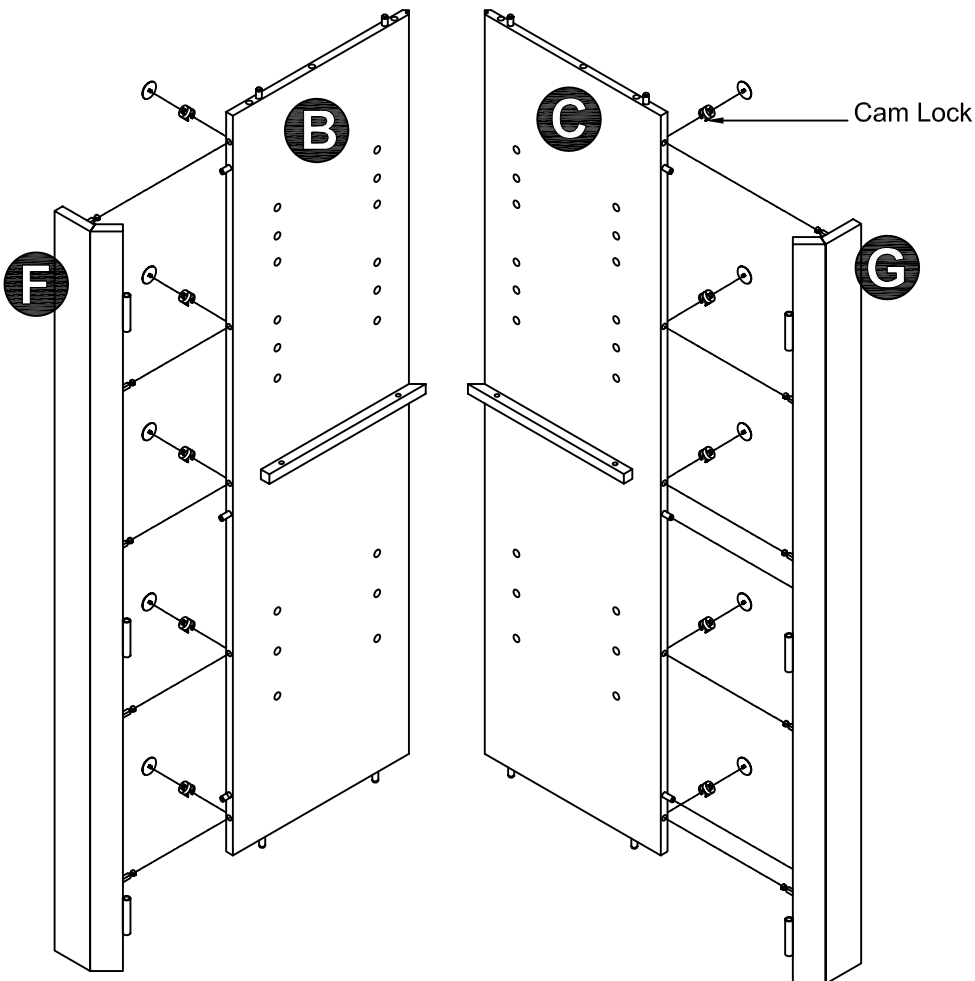
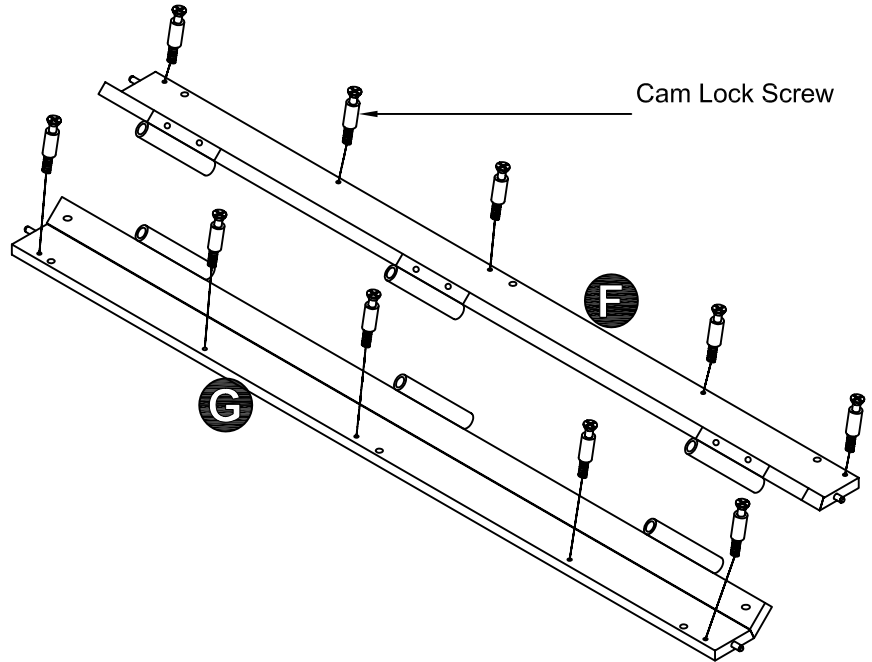
## IMPORTANT

Do not Tighten up all the screws until each part is properly assembled.

You should keep Hex Wrench in the safe place as you may need to tighten up the Head Cap Bolts in the future.

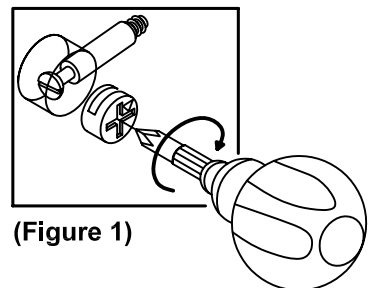
## STEP 1

Insert Cam Lock Screws into the pre-drilled holes of Side Piece (F) and (G).

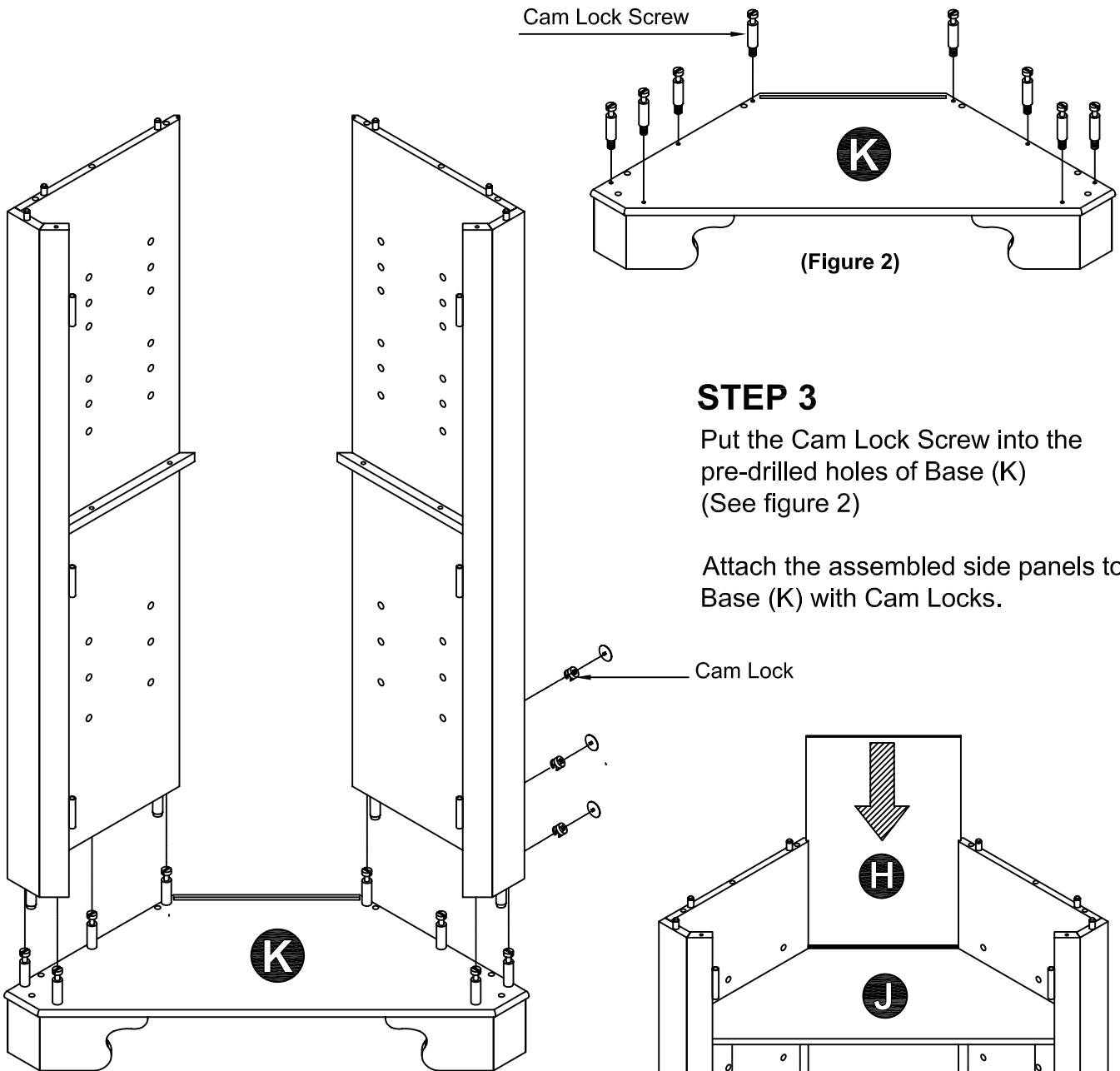


## STEP 2

Attach Side Piece (F) to Side Panel (B) and Side Piece (G) to Side Panel (C), using Cam Locks. (See figure 1)



# Assembly Instructions 3/5



## STEP 3

Put the Cam Lock Screw into the pre-drilled holes of Base (K)  
(See figure 2)

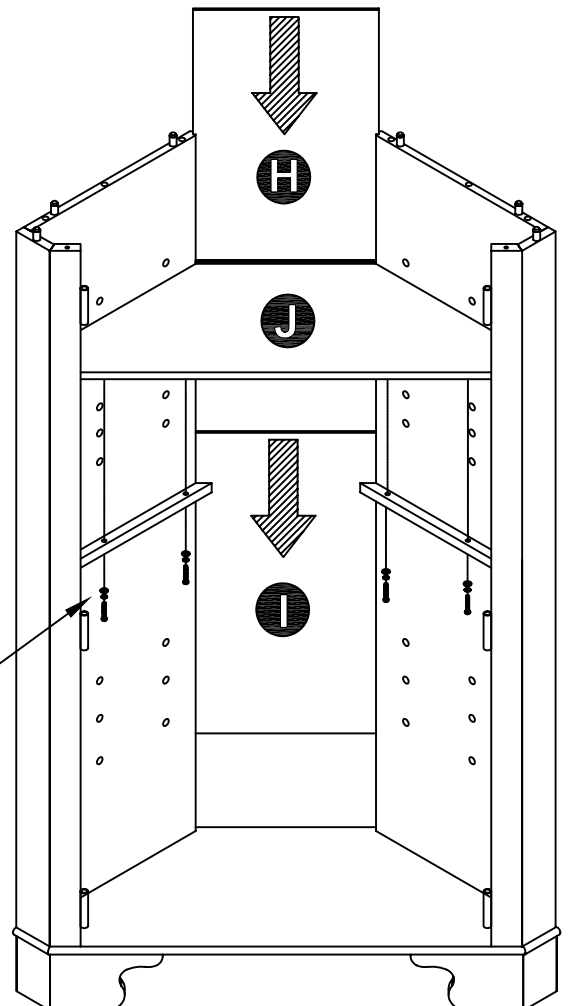
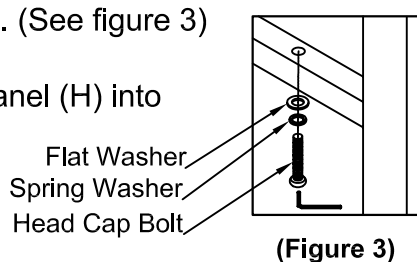
Attach the assembled side panels to Base (K) with Cam Locks.

## STEP 4

Slide Lower Back Panel (I) into place.

Attach Fixed Shelf (J) to the unit, using Flat Washers, Spring Washers and Head Cap Bolts. (See figure 3)

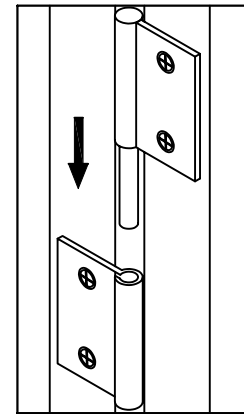
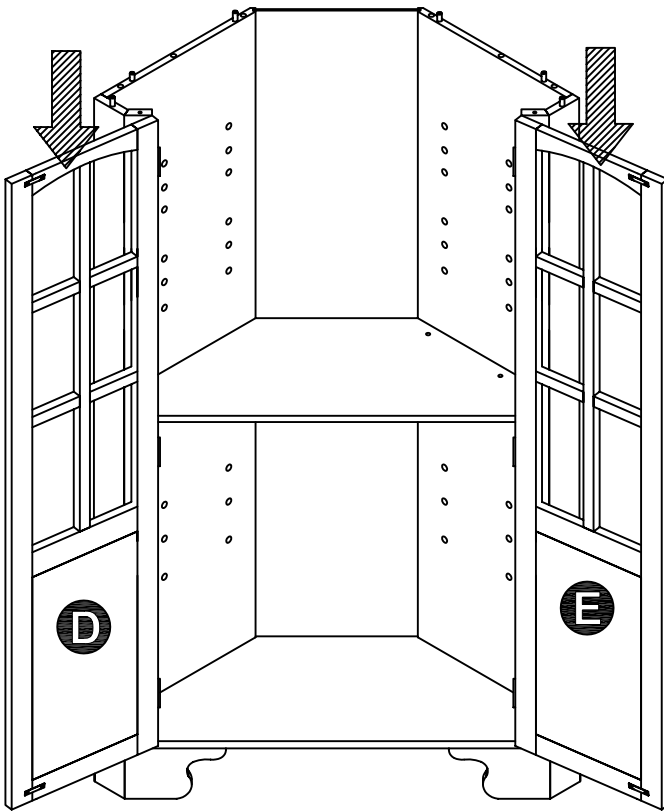
Slide Upper Back Panel (H) into place.



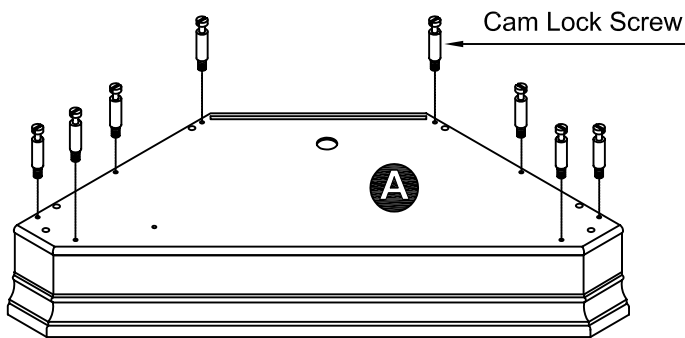
# Assembly Instructions 4/5

## STEP 5

Attach Door (D) and (E) by sliding the door lift hinges into the side panel lift hinges. (See figure 4)



(Figure 4)

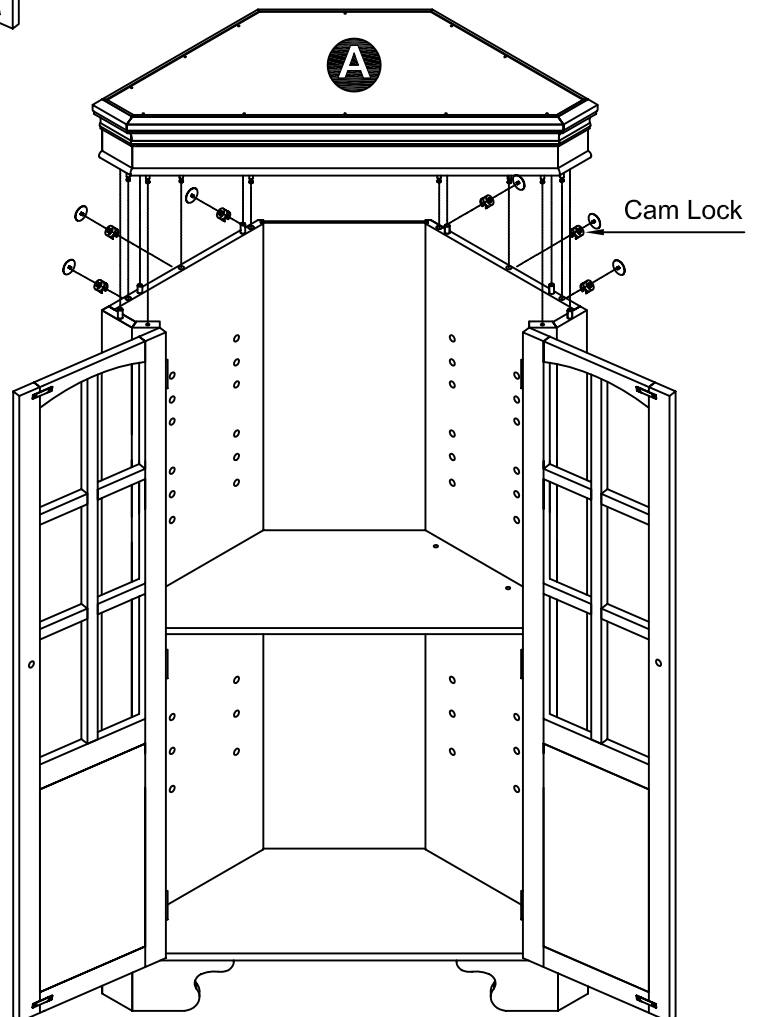


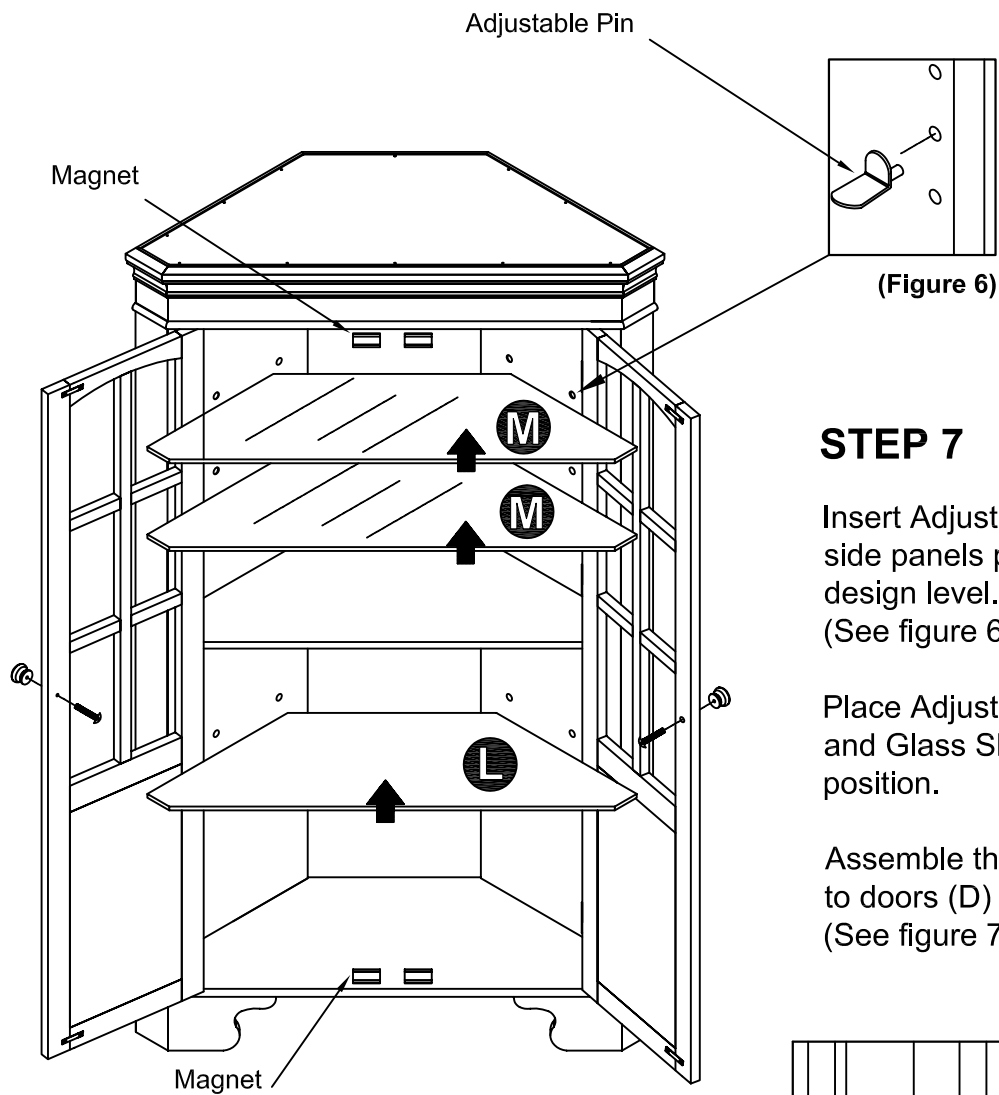
(Figure 5)

## STEP 6

Put the Cam Lock Screw into the pre-drilled holes of Top (A)  
(See figure 5)

Place Top (A) onto the unit  
with Cam Locks.



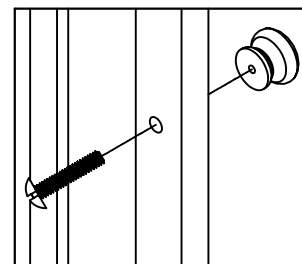


## STEP 7

Insert Adjustable Pin into the side panels panel at the design level.  
(See figure 6)

Place Adjustable Shelf (L) and Glass Shelf (M) into position.

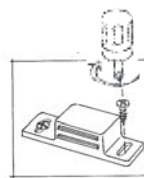
Assemble the Pull Handles to doors (D) and (E).  
(See figure 7)



(Figure 7)

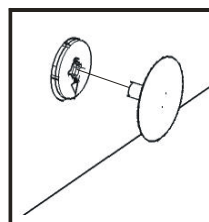
## STEP 8

Attach the Magnet to top and base of unit, using Wood Screws.  
(See figure 8)



(Figure 8)

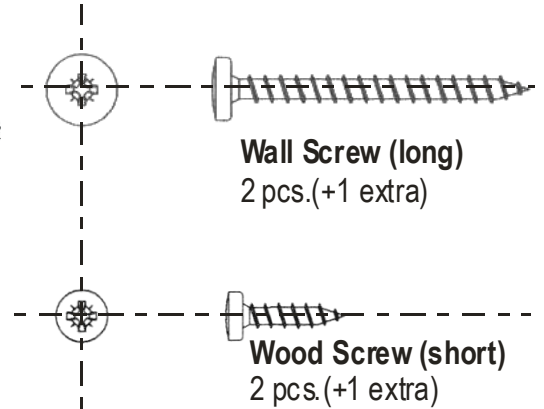
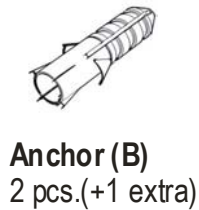
Cover up Cam Lock's holes with Plastic Caps.



# Attention !

For safety reasons, we recommend you strictly follow these additional instructions to prevent the cabinet from tipping over.

## HARDWARE LIST



## Assembly Instructions

Place the Cabinet at the desired location against a wall.

Using an electric drill, drill two  $\frac{1}{4}$ " holes in the wall, such that the Nylon Belts can attach to the top of the case.

Insert the Anchors into the wall holes and put the Nylon Belt on.

Put in wall screws and tighten up.

Place the other side of Nylon Belt on top of the pre-drilled holes on the top of the unit.

Put in wood screws and tighten up.

