

88569588C

30" Revolving Padded Barstool with Brushed chrome Finish Foot Rest

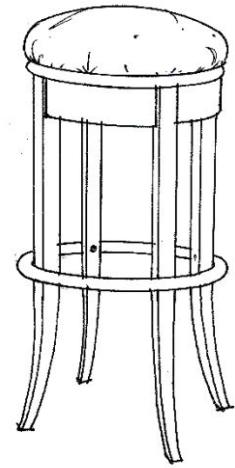
IMPORTANT NOTE

Carefully remove all the parts from the carton and put them individually on a soft cloth to prevent scratches or other damages occurring to the wood parts.

We have taken great care in the design of this product and request that you carefully and strictly follow our assembly instructions to ensure a completed product as it was designed.



Casual Attire For Today's Home

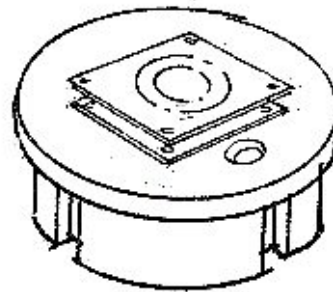


Thai Patent Pending Numbers **074798**

PART LIST



A.
Pad
1 pc.



B.
Base
1 pc.



C.
Leg
4 pcs.



D.
Foot Rest
1 pc.

HARDWARE LIST



Hex Wrench
1 pc.



Head Cap Bolt
M6 x 20(short)
4 pcs. (+1 Extra)



Head Cap Bolt
M6 x 50(long)
12 pcs.(+1 Extra)



Spring Washer
8 pcs.(+1 Extra)



Flat Washer
8 pcs.(+1 Extra)



Wood Plug
4 pcs.
(+2 Extra)

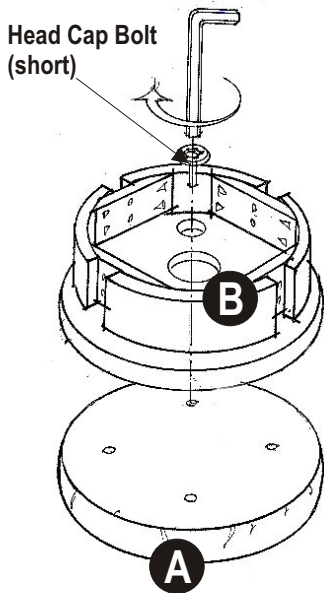
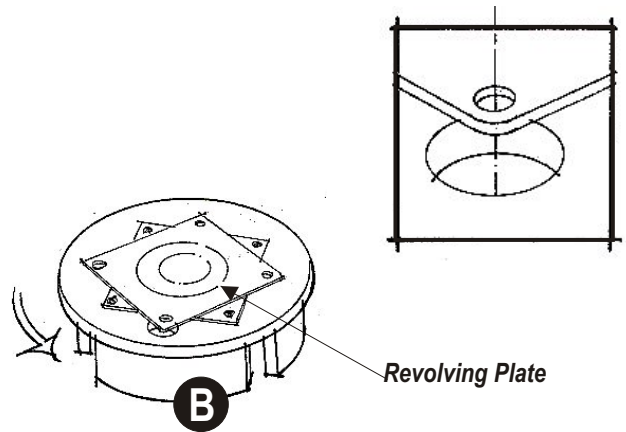
Assembly Instructions

IMPORTANT

- * Do not tighten up all the screws until each part is properly assembled.
- * You should keep Hex Wrench in the safe place as you may need to tighten up the Head Cap Bolts in the future.

STEP 1

Swivel the revolving plate of the Base (B) until its hole meets the Base (B) hole.



STEP 2

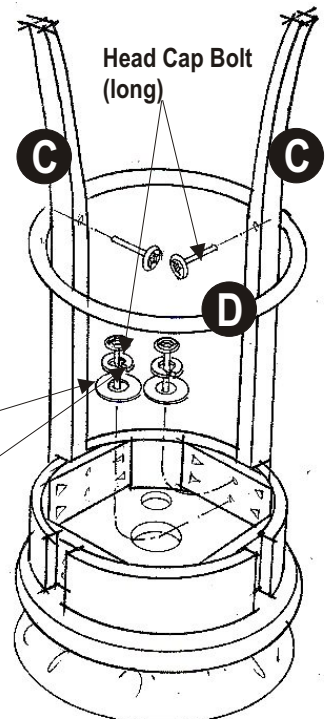
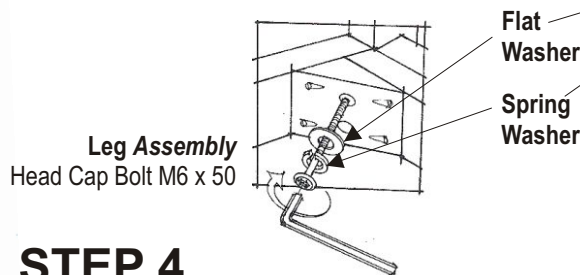
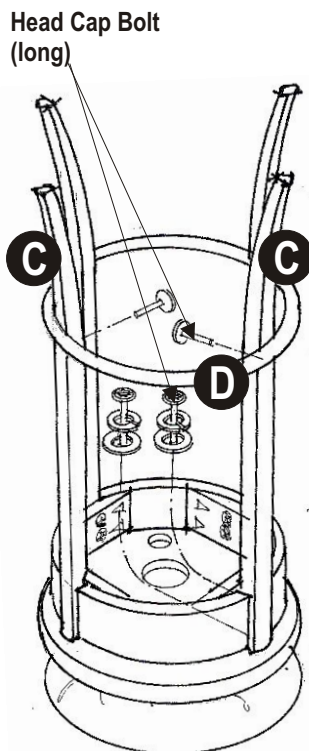
Turn over the Pad (A) and Base (B), place the Base (B) on the Pad (A). Swivel the Base (B) until the Base hole meets any hole of the Pad (A), insert the Head Cap Bolt (short) and tighten it up, using Hex Wrench.

Swivel the Base (B) again to the next hole and tighten up the Head Cap Bolt. Do the same for the rest holes.

STEP 3

Attach two of the Leg (C), exactly at the same position shown, to the Base with Head Cap Bolts (long), Spring and Flat Washers.

Put in the Foot Rest (D) and attach it to the legs with Head Cap Bolts (long).



STEP 4

Attach another two of the Leg (C) to the Base (B) with Head Cap Bolts, Spring and Flat Washers. Turn the Barstool back to its normal position.

STEP 5

Cover all holes with Wood Plugs

