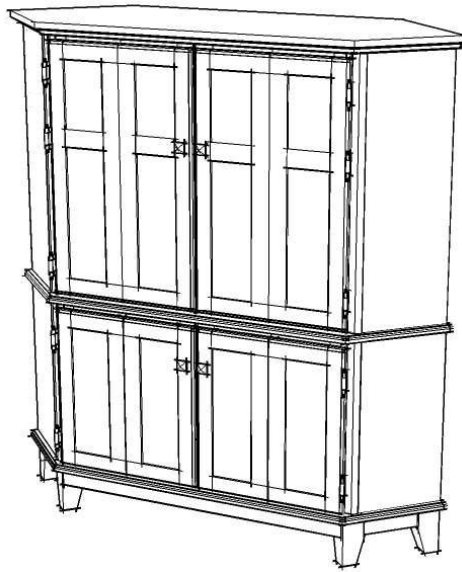


**88 5351 752**  
**Entertainment Corner**  
**(Coffee finish)**



Casual Attire For Today's Home

Thai Patent Pending Numbers 106298

# Assembly Instructions

## IMPORTANT NOTE

Carefully remove all the parts from the carton and put them individually on a soft cloth to prevent scratches or other damages occurring to the wood parts.

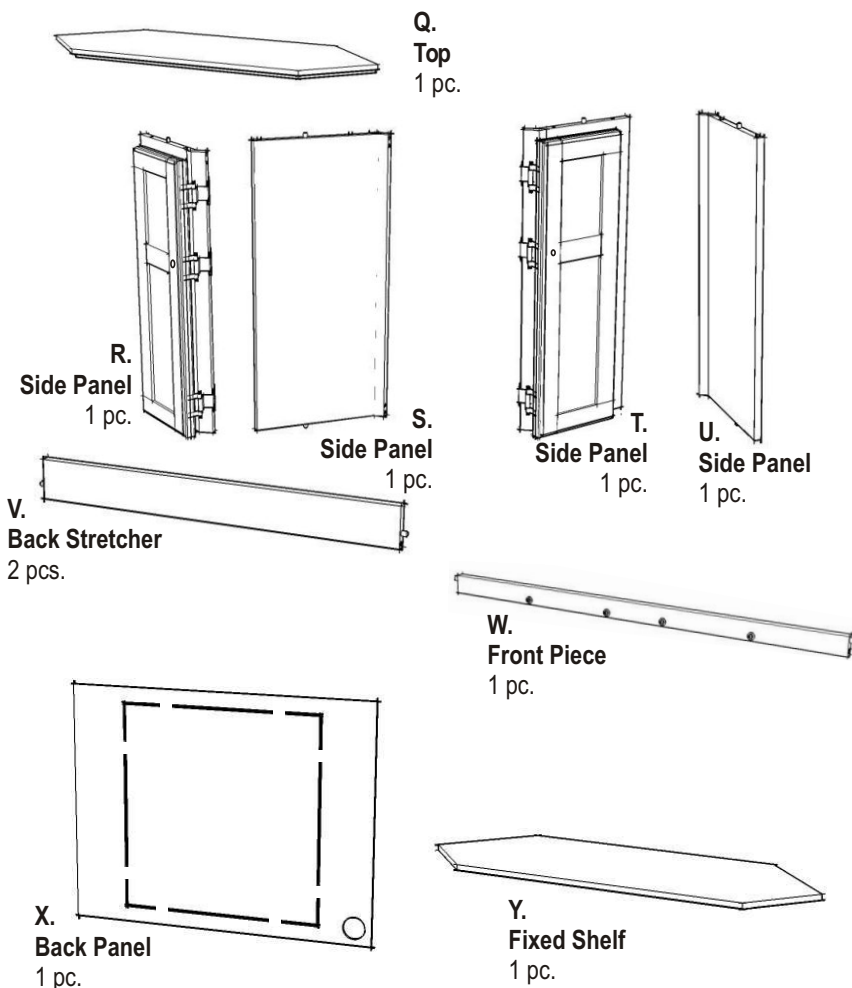
We recommend that you completely assemble the base unit before assembling the top unit.

We strongly recommend that at least two people be used to lift or move the unit.

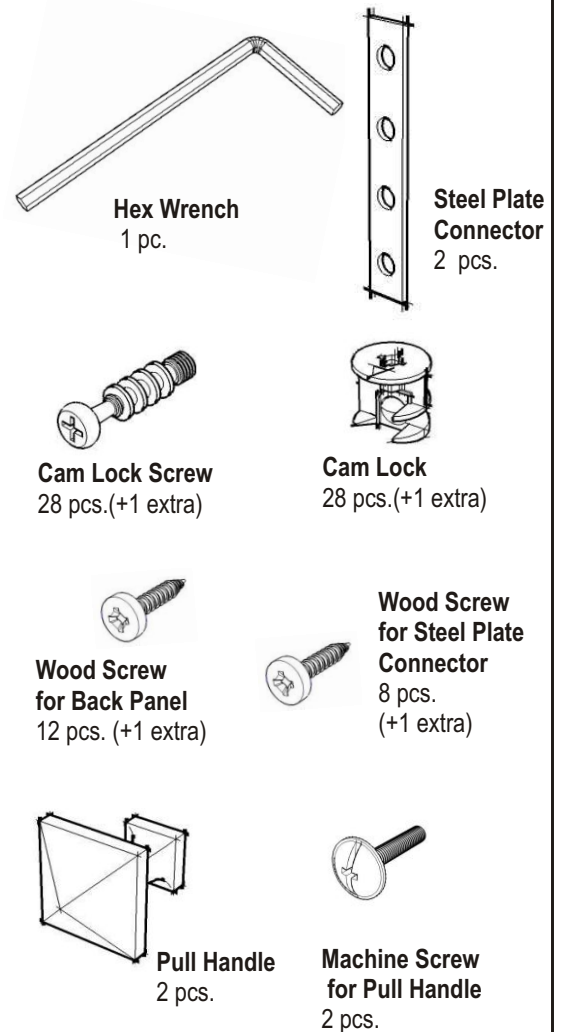
Small scratches can be easily repaired by using a Color marker.

We have taken great care in the design of this product and request that you carefully and strictly follow our assembly instructions to ensure a completed armoire as it was designed.

## Top Unit Part List



## Hardware

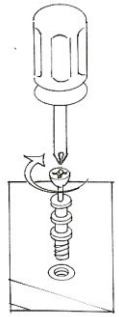


Tools Required For Assembly : Philips screwdriver

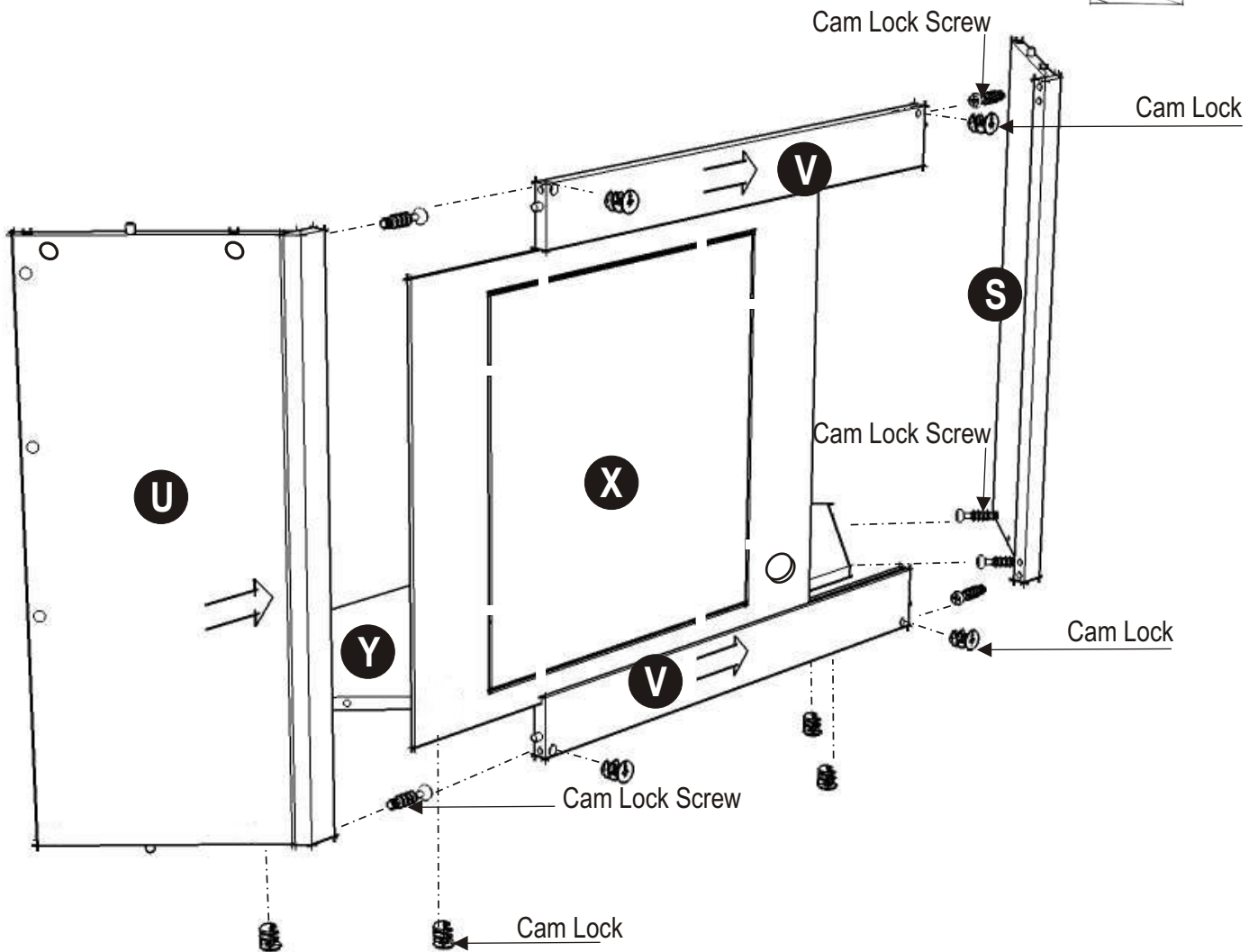
## Assembly Instructions 2/4

### IMPORTANT NOTE

Do not tighten up all the screws until each part is properly assembled.  
You should keep Hex Wrench in the safe place as you may need to tighten up the Head Cap Bolts in the future.



How to tighten up the Cam Lock Screw

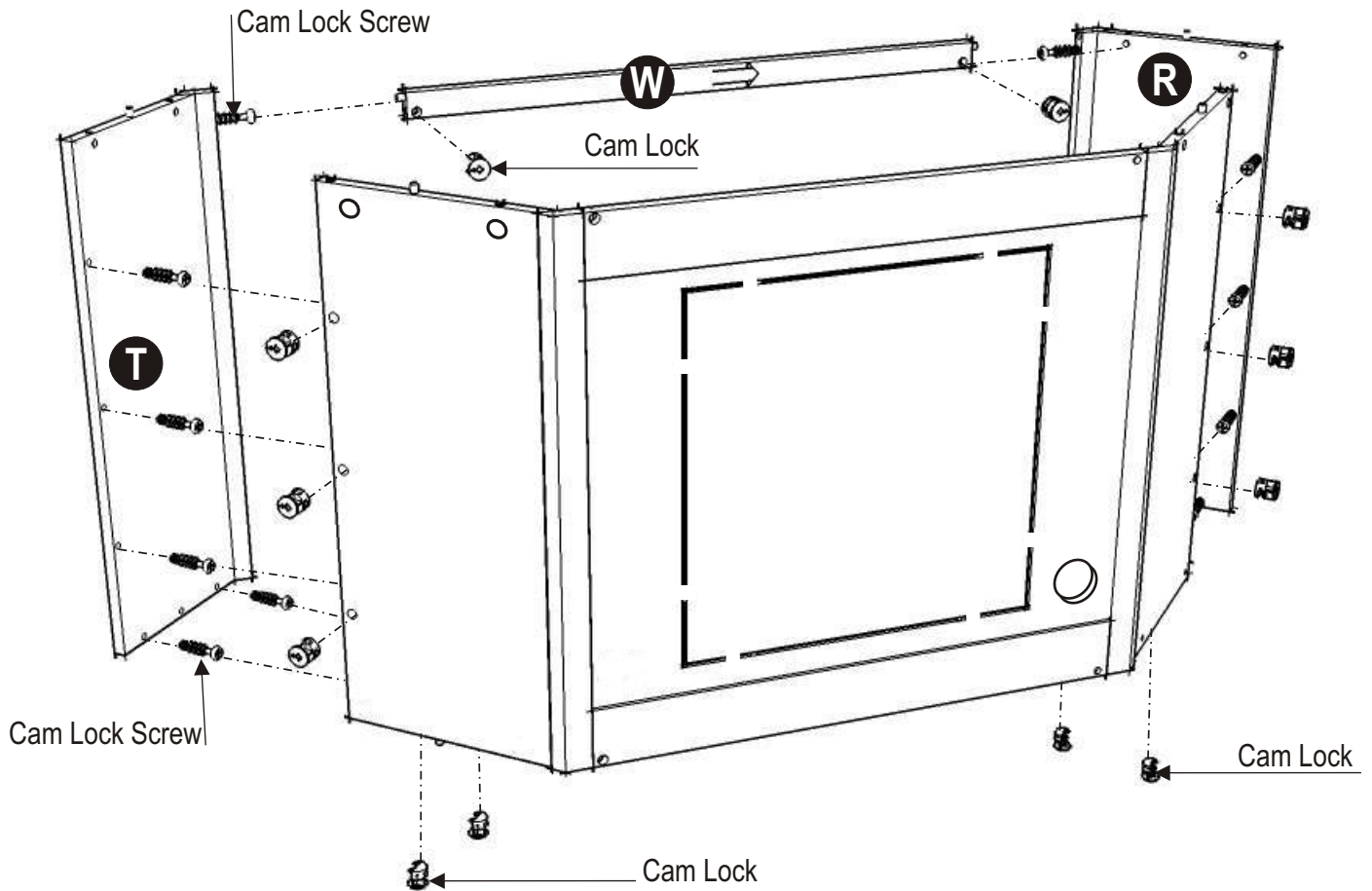


## STEP 1

Put Cam Lock Screws into the pre-drilled holes of Side Panel (S) and (U).

Attach Back Stretcher (V) and Fixed Shelf (Y) to Side Panel (S), using Cam Locks.

Slide the Back Panel (X) into place, then attach Side Panel (U) to the unit with Cam Lock.

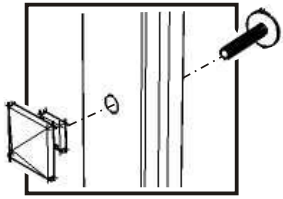


## STEP 2

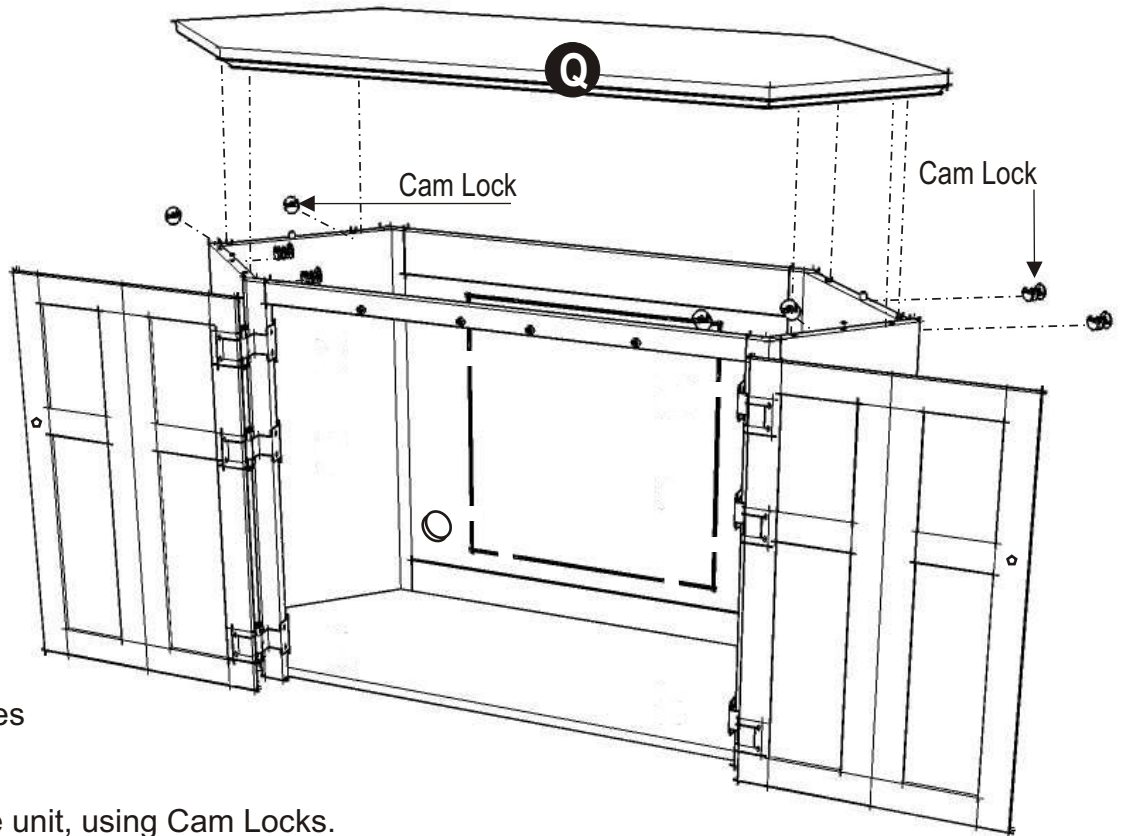
Put Cam Lock Screws into the pre-drilled holes of Side Panel (R) and (T).

Attach Side Panel (R) to the unit, using Cam Locks.

Attach Front Piece (W) to Side Panel (R) with Cam Lock, then attach Side Panel (T) to the unit with Cam Lock.



(Figure 1)

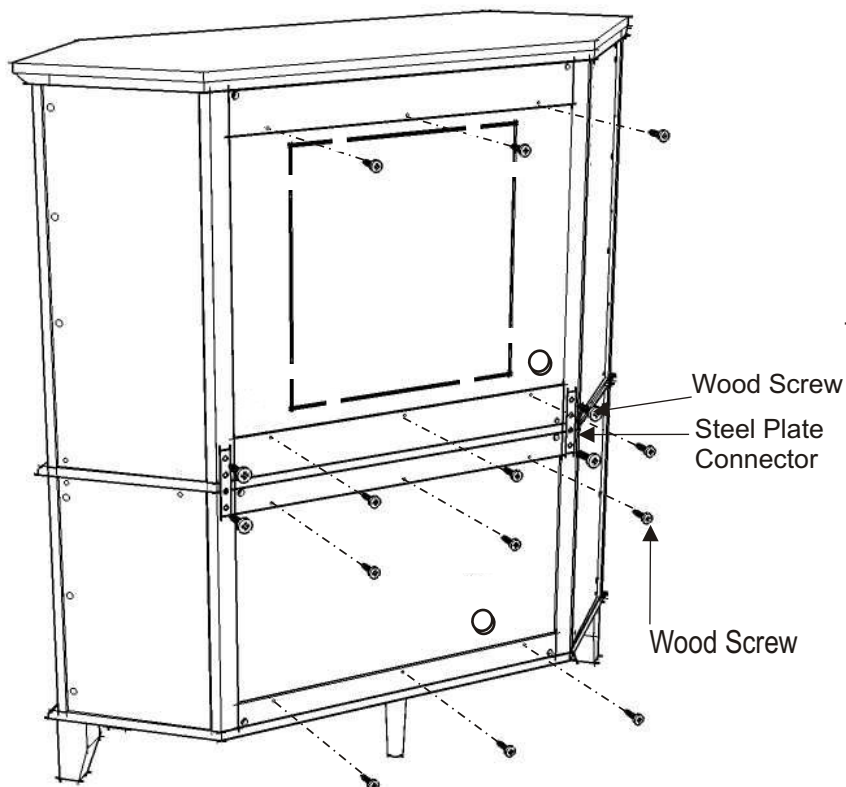


## STEP 3

Put Cam Lock Screws into the pre-drilled holes underneath Top (Q).

Place Top (Q) onto the unit, using Cam Locks.

Assemble Pull Handles to the doors, using the Machine Screws. (See figure 1)



## STEP 4

Place the Top Unit onto the Base Unit.

Attach the Steel Plate Connectors, insert Wood Screws and tighten up.

Insert Wood Screws from the back of the unit, tighten up all the Wood Screws.