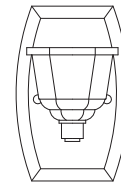
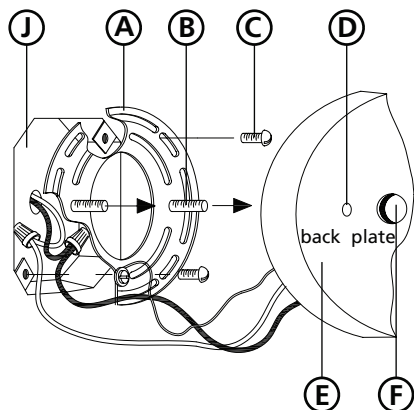


Family: Piccolo | Item No. 5180 CM



Drawing 1 - Fixture Mounting



▼ start here

1

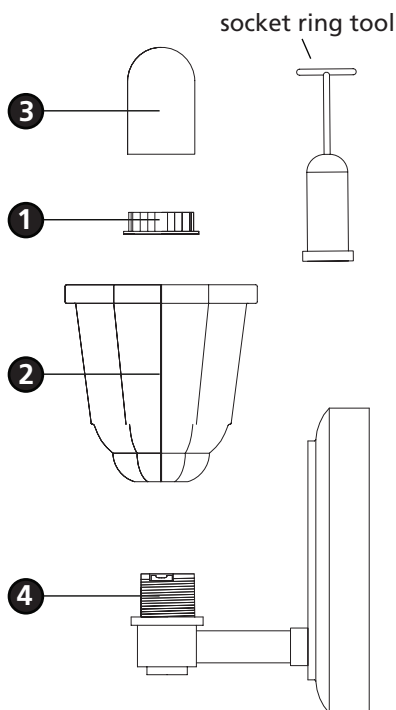
1. Find a clear area in which you can work.
2. Unpack fixture and glass from carton.
3. Carefully review instructions prior to assembly.

***** The construction of this fixture will be accomplished by first attaching the mounting strap to the junction box, making all necessary electrical connections, mounting the fixture to the wall, and then installing the glass.**

2

1. Prepare mounting strap (A) by threading the two 1 1/4" long mounting screws (B) into the back of the mounting strap (A) - see **Drawing 1**.
 - Be sure the holes into which the screws are threaded match the spacing of holes (D) in the backplate (E).
2. Attach mounting strap (A) to junction box (J) using two 1" screws (C).

Drawing 2 - Glass Installation



3

Make electrical connections from supply wire to fixture lead wires. Refer to instruction sheet (I.S. 18) and follow all instructions to make all necessary wiring connections. Then refer back to this sheet to continue installation of this fixture.

4

1. To mount fixture, slip the two mounting screws (B) through the two mounting holes (D) in the backplate (E) - see **Drawing 1**.
2. While holding fixture in place, thread the two ball knobs (F) on to the end of the mounting screws (B), and tighten.

5

1. To install glass, remove socket ring (1) from the socket (4) - see **Drawing 2**.
2. Slip glass (2) over socket (4).
3. Thread socket ring (1) onto socket (4) to secure glass (2).
4. Use socket ring tool to tighten socket ring (1). Tighten socket ring until snug. Do not over tighten.
5. Fixture can now be lamped accordingly.
6. Thread glass shield (3) onto socket (4).

Note: Maximum wattage for 5180 fixture is G-9 60 watts per bulb.

12.13.08