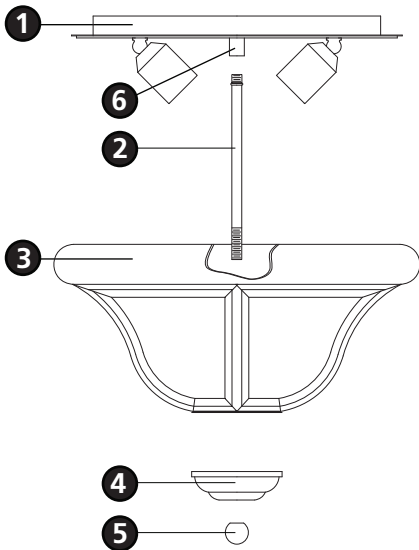
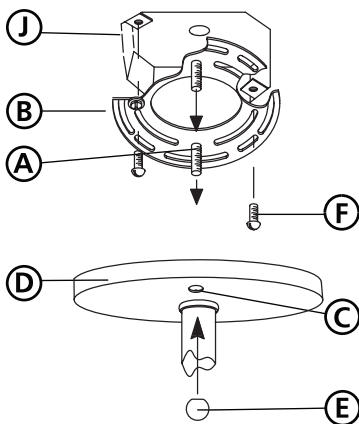


Drawing 1 - Fixture Assembly



Drawing 2 - Fixture Mounting



▼ start here

1

1. Find a clear area in which you can work.
2. Unpack fixture and glass from carton.
3. Carefully review instructions prior to assembly.

***** The construction of this fixture will be accomplished by first installing the mounting bracket, making all necessary electrical connections, hanging the fixture from the ceiling, and then installing the glass.**

2

1. To prepare mounting bracket, install screws (A) into mounting plate (B), making sure screws line up with holes (C) in the canopy (D) - see **Drawing 2**.
2. Attach mounting plate (B) to junction box (J), using screws (G) provided.

SAFETY WARNING: READ WIRING AND GROUNDING INSTRUCTIONS (I.S. 18) AND ANY ADDITIONAL DIRECTIONS. TURN POWER SUPPLY OFF DURING INSTALLATION. IF NEW WIRING IS REQUIRED, CONSULT A QUALIFIED ELECTRICIAN OR LOCAL AUTHORITIES FOR CODE REQUIREMENTS.

3

Make electrical connections from supply wire to fixture lead wires. Refer to instruction sheet (I.S. 18) and follow all instructions to make all necessary wiring connections. Then return back to this sheet to continue installation of this fixture.

4

1. To mount the fixture, slip canopy (D) over screws (B) and hold fixture in position - see **Drawing 2**.
2. Thread ball knobs (E) onto the end of screws (B) and tighten to secure the fixture to the ceiling.

5

1. To install glass, thread center stem (2) into coupler (6) located in the center of ceiling pan (1) - see **Drawing 1**.
Note: Beaded end of of stem threads into coupler.
2. Fixture can now be lamped accordingly.
3. Slip cage assembly (3) over center stem (2) and hold in position.
4. Slip cap (4) onto center stem (2) and hold in position.
5. Thread ball knob (5) onto end of center stem (2) and hand tighten.

Note: Maximum wattage for 5711 fixture is 60 watts per bulb.