

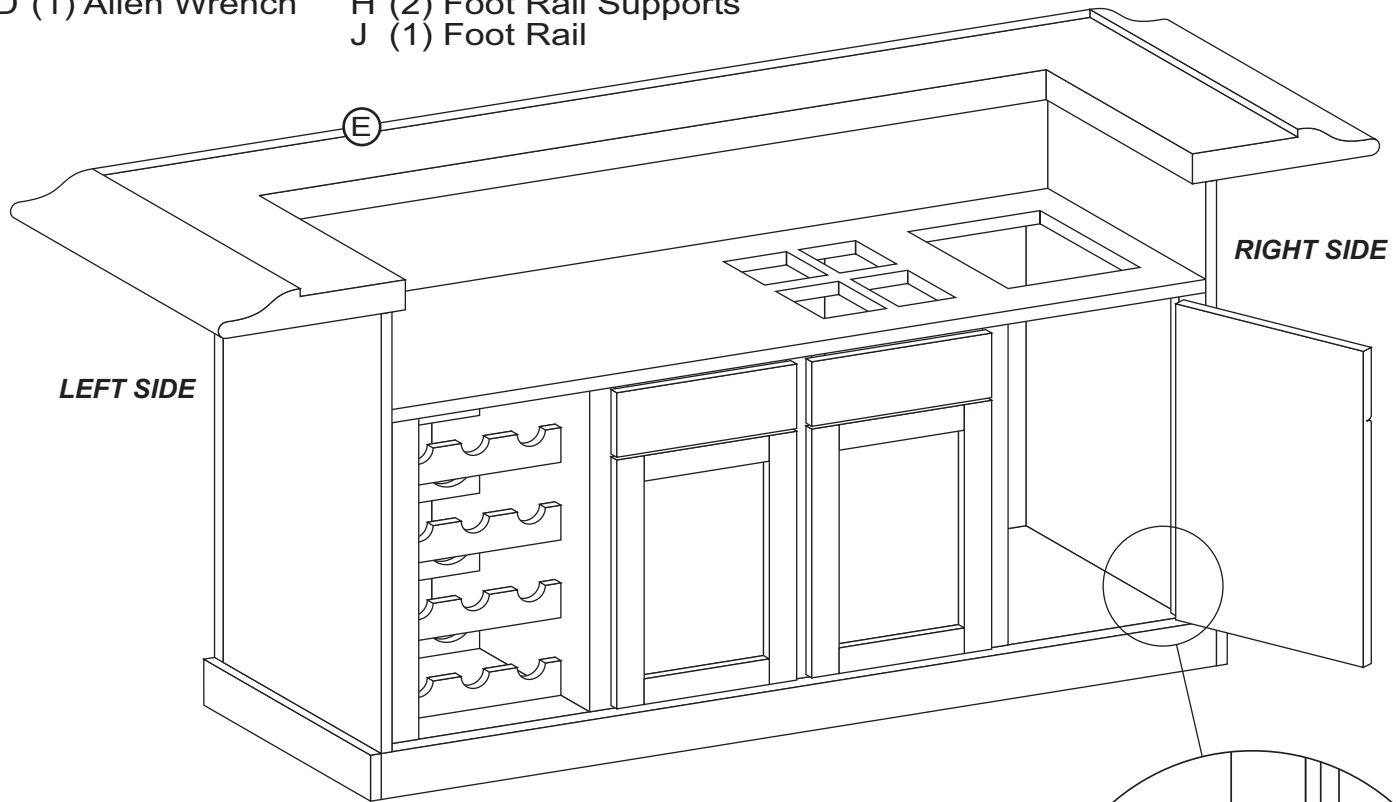
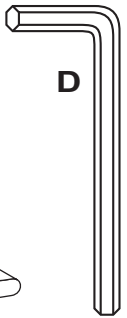
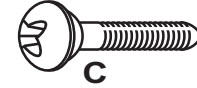
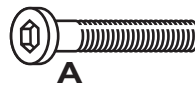
Examine all packaging material for small parts that may have come loose during shipment. Periodic checks are recommended to insure that all components are in proper position, tight and free from damage. Keep this assembly instruction for future reference. Adult assembly required. Online Parts Request: parts.request@hillsdalefurniture.com

HARDWARE LIST

- A (8) Allen Bolts
- B (8) Metal Washers
- C (4) Wood Screws
- D (1) Allen Wrench

PARTS LIST

- E (1) Large Bar
- F (1) Side Bar
- G (2) Wood Braces
- H (2) Foot Rail Supports
- J (1) Foot Rail



***** IMPORTANT *****

THE FOOTRAIL IS LOCATED UNDER THE BAR! Lay the Bar on it's backside to locate the Footrail.

This Bar comes with a removable cabinet door (located on the right end of bar). This door is designed to be removed when you attach the Side Bar (F) to the Large Bar (E).

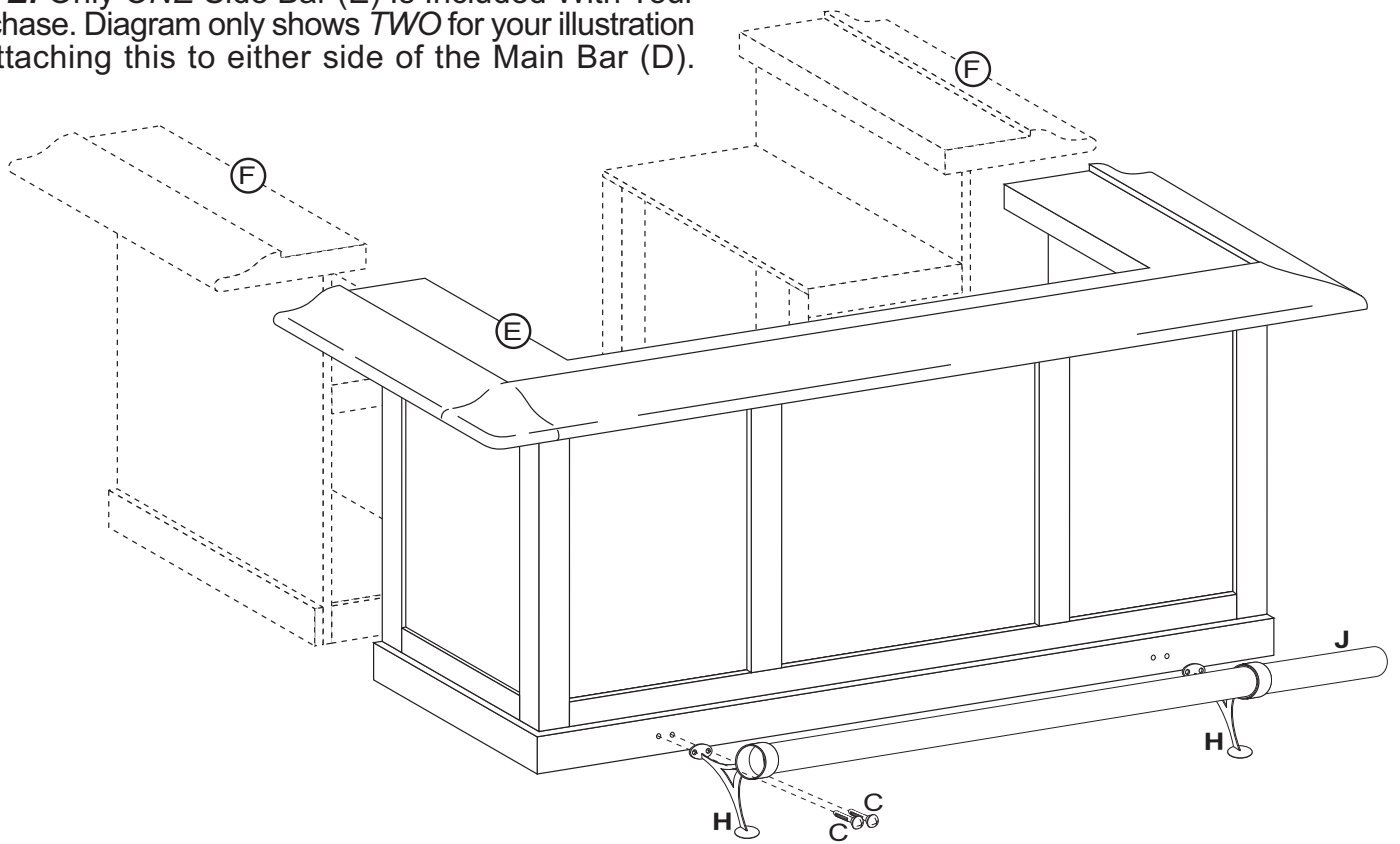
For Side Bar Assembly On Right Side.

Using a phillips head screwdriver (Not Included) carefully unscrew each screw that holds metal hinge to side of Bar. You may attach this Cabinet Door the the Wine Rack (Left) side of the bar, but this will hide your Wine Rack. If you will not be attaching this panel to the Wine Rack side of the bar, please keep it for future use.

For Side Bar Assembly On Left Side.

There is no need in removing the Cabinet Door if you will be attaching the Side Bar (F) to the Wine Rack (Left) side. Please Note: If you attach Side Bar to the Left Side, This WILL cover your Wine Rack.

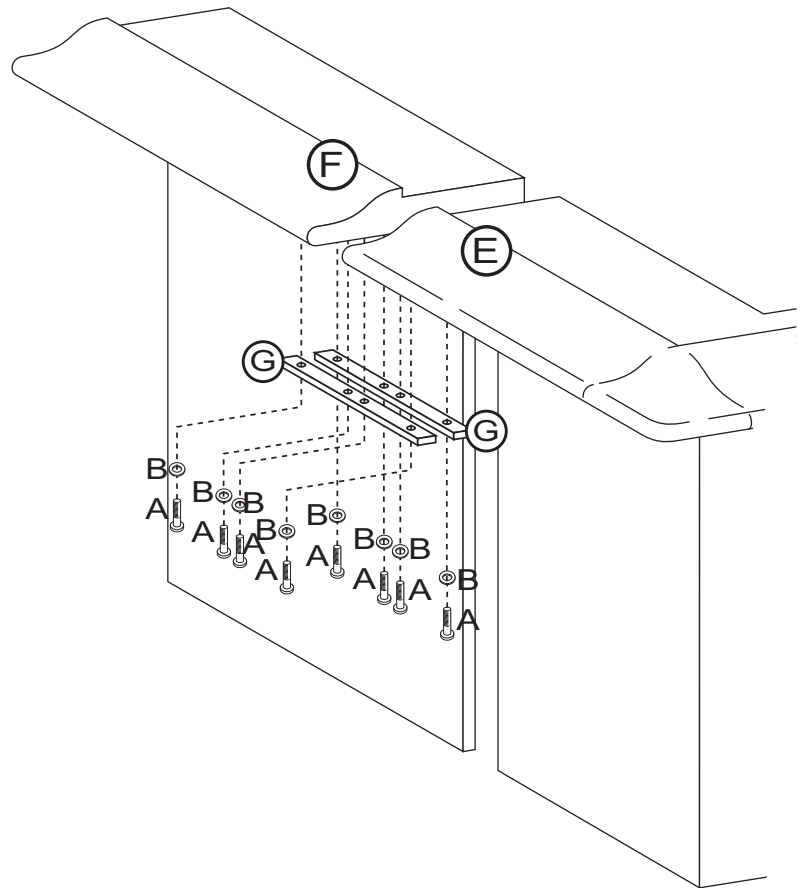
NOTE: Only *ONE* Side Bar (E) Is Included With Your Purchase. Diagram only shows *TWO* for your illustration of attaching this to either side of the Main Bar (D).



*** * * ASSEMBLY * * ***

Once you have decided which side you will be attaching your Side Bar (F), attach each Wood Brace (G) to bottom of each Bar Top on Large Bar (E) & Side Bar (F), using 4 Allen Bolts (A) & 4 Metal Washers (B) per each brace. Tighten all bolts only using Allen Wrench (D) provided.

Finally, attach each Foot Rail Support (H) to the front side of Large Bar (E), using 2 Wood Screws (C) per each support. Only tighten bolts using a phillips head screwdriver (not included). Carefully slide Footrail (J) into place. The assembly of your Bar is now complete. Please keep this instruction sheet for future references.



CARE & MAINTENANCE: The touch of a soft cloth is all the maintenance the finish will ever need. Please do not use harsh or abrasive cleaners for polishing, as they may cause damage to the finish. Periodic checks are recommended to make sure that all bolts, screws and nuts are securely tightened.

PRINTED BOLD IN 24 PT. FONT ON 8.5" x 11" YELLOW PAPER,
AND PUT IN DRAWER OF BAR SHOULD READ:

**NOTE: THE FOOTRAIL IS
PACKED AND LOCATED
UNDER THE BAR. LAY
THE BAR ON IT'S
BACKSIDE TO FIND THE
FOOTRAIL PACKAGED ON
THE BOTTOM!**