

Examine all packaging material for small parts that may have come loose during shipment. Periodic checks are recommended to insure that all components are in proper position, tight and free from damage. Keep this assembly instruction for future reference. Adult assembly required. Online Parts Request: [parts.request@hillsdalefurniture.com](mailto:parts.request@hillsdalefurniture.com)

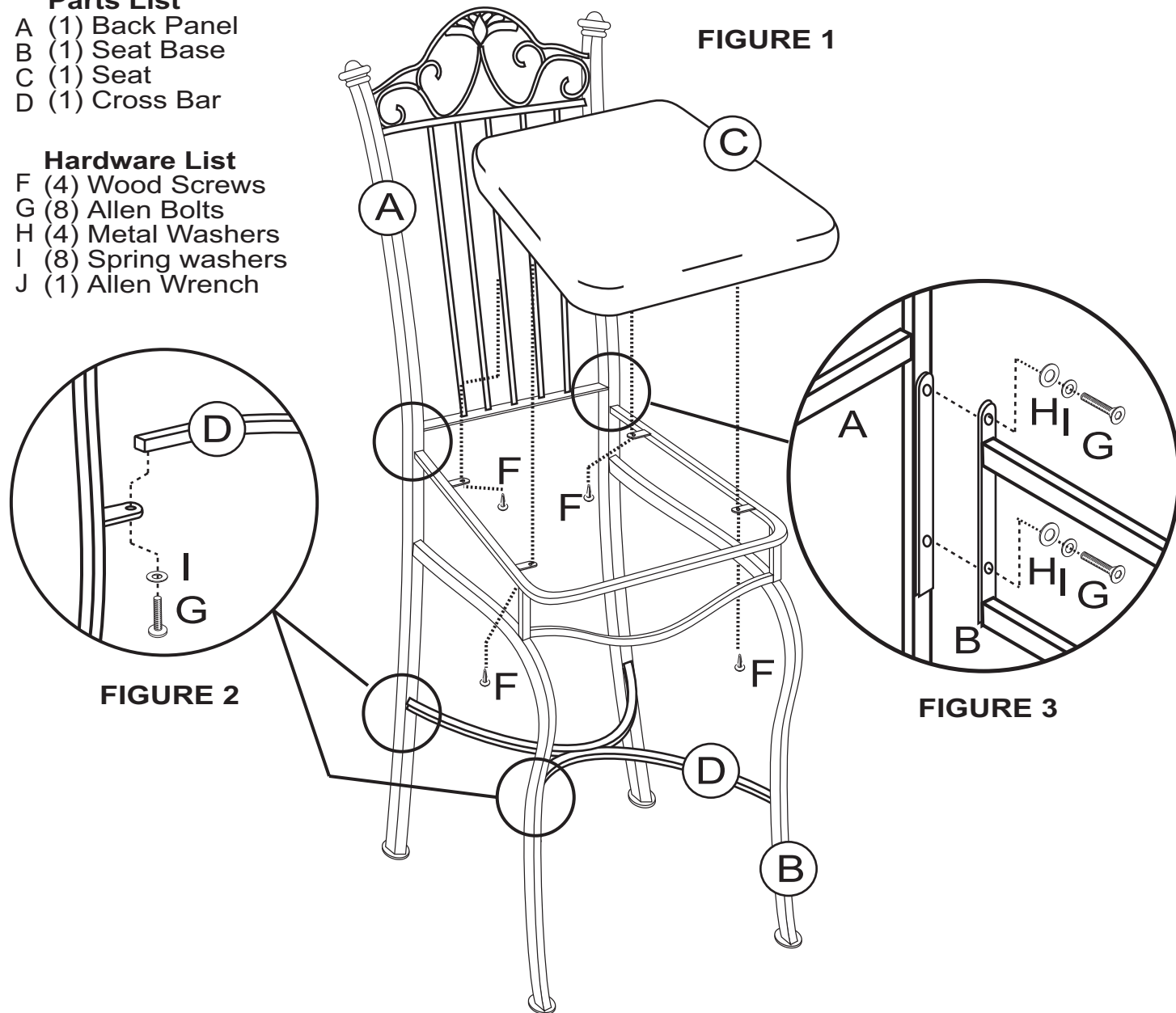
**Parts List**

- A (1) Back Panel
- B (1) Seat Base
- C (1) Seat
- D (1) Cross Bar

**Hardware List**

- F (4) Wood Screws
- G (8) Allen Bolts
- H (4) Metal Washers
- I (8) Spring washers
- J (1) Allen Wrench

**FIGURE 1**



**FIGURE 2**

**FIGURE 3**

**STEP 1**

Fasten the Seat Base (B) to the Back Panel (A) using 2 Metal Washers (H), 2 Spring Washers (I), and 2 Allen Bolts (G) per connection. Tighten bolts. See figure 1 and 3.

**STEP 2**

Fasten the Cross Bar (D) to the Back Panel (A) legs and Legs of the Seat Base (B) using 1 Spring Washer (I), and 1 Allen Bolt (G) per leg. Tighten bolts. See figure 1 and 2.

**STEP 3**

Secure Seat (C) to Seat Base (B) using 4 Wood Screws (F). Tighten screws. See figure 1.

**CARE & MAINTENANCE:** The touch of a soft cloth is all the maintenance the finish will ever need. Please do not use harsh or abrasive cleaners for polishing, as they may cause damage to the finish. Periodic checks are recommended to make sure that all bolts, screws and nuts are securely tightened.