

Examine all packaging material for small parts that may have come loose during shipment. Periodic checks are recommended to insure that all components are in proper position, tight and free from damage. Keep this assembly instruction for future reference. Adult assembly required. Online Parts Request: parts.request@hillsdalefurniture.com - Customer Service Phone Number: 502-562-0000

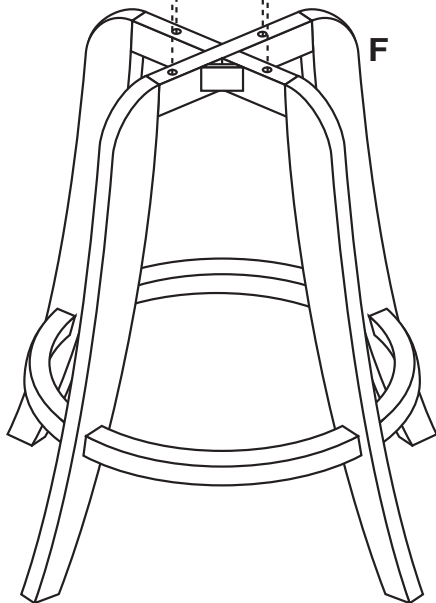
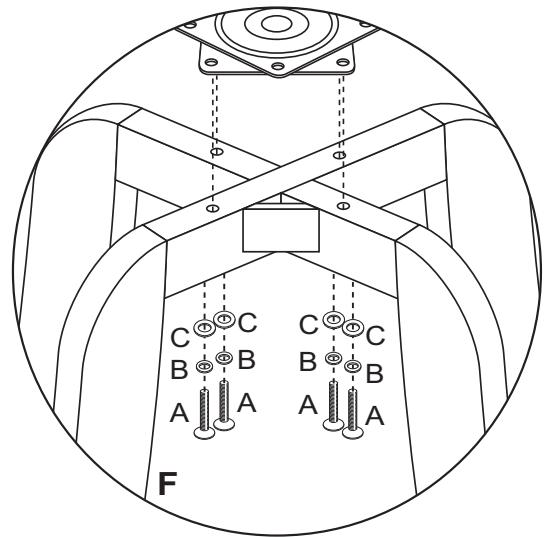
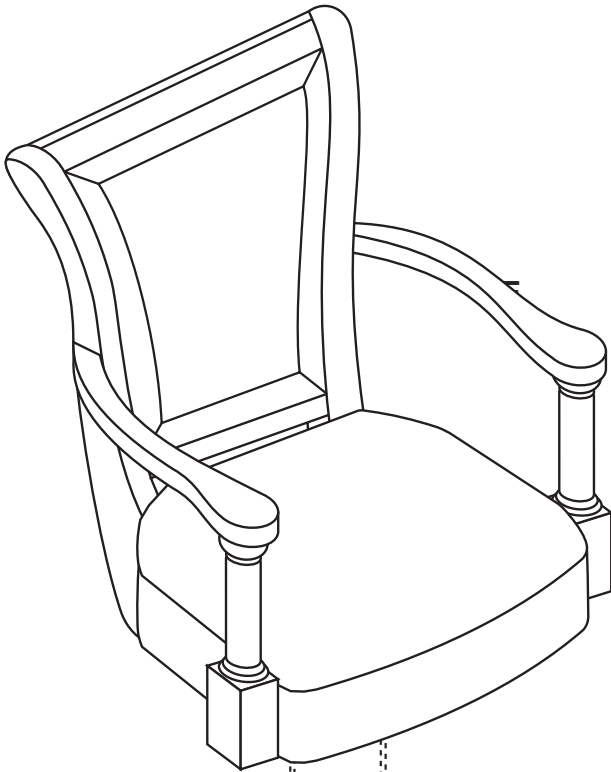
HARDWARE LIST

- A (4) Allen Bolts
- B (4) Spring Washers
- C (4) Metal Washers
- D (1) Allen Wrench

PARTS LIST

- E (1) Top Section
- F (1) Bottom Section

TOOLS REQUIRED FOR ASSEMBLY:
ALLEN WRENCH (INCLUDED)



***** ASSEMBLY *****

STEP 1

Attach Bottom Section (F) to Swivel Unit located on the bottom of the Top Section (E), using 4 Allen Bolts (A), 4 Spring Washers (B) & 4 Metal Washers (C) to hold in place. Tighten all bolts. The assembly of your new stool is now complete.