



## 2 BASKET TRAPEZOID

Model #50272 Oak

Model #50276/50282 White

Model #50340 Black/Honey

Date: 12-21-05

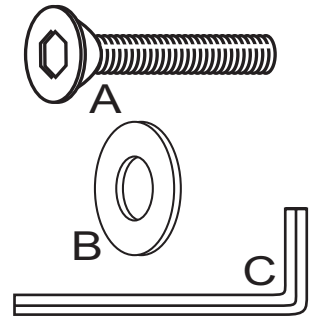
Examine all packaging material for small parts that may have come loose during shipment. Periodic checks are recommended to insure that all components are in proper position, tight and free from damage. Keep this assembly instruction for future reference. Adult assembly required. Online Parts Request: [parts.request@hillsdalefurniture.com](mailto:parts.request@hillsdalefurniture.com) - Customer Service Phone Number: 502-562-0000

### PARTS LIST

- A (8) Allen Bolts
- B (8) Metal Washers
- C (1) Allen Wrench

### HARDWARE LIST

- D (2) Side Panels
- E (1) Top
- F (1) Bottom Rack
- G (1) Small Basket
- H (1) Large Basket



## \*\*ASSEMBLY\*\*

### STEP 1.

Begin Assembly by laying all pieces down on a clean level surface.

### STEP 2.

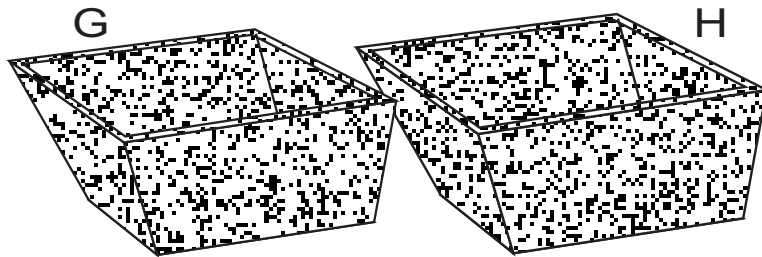
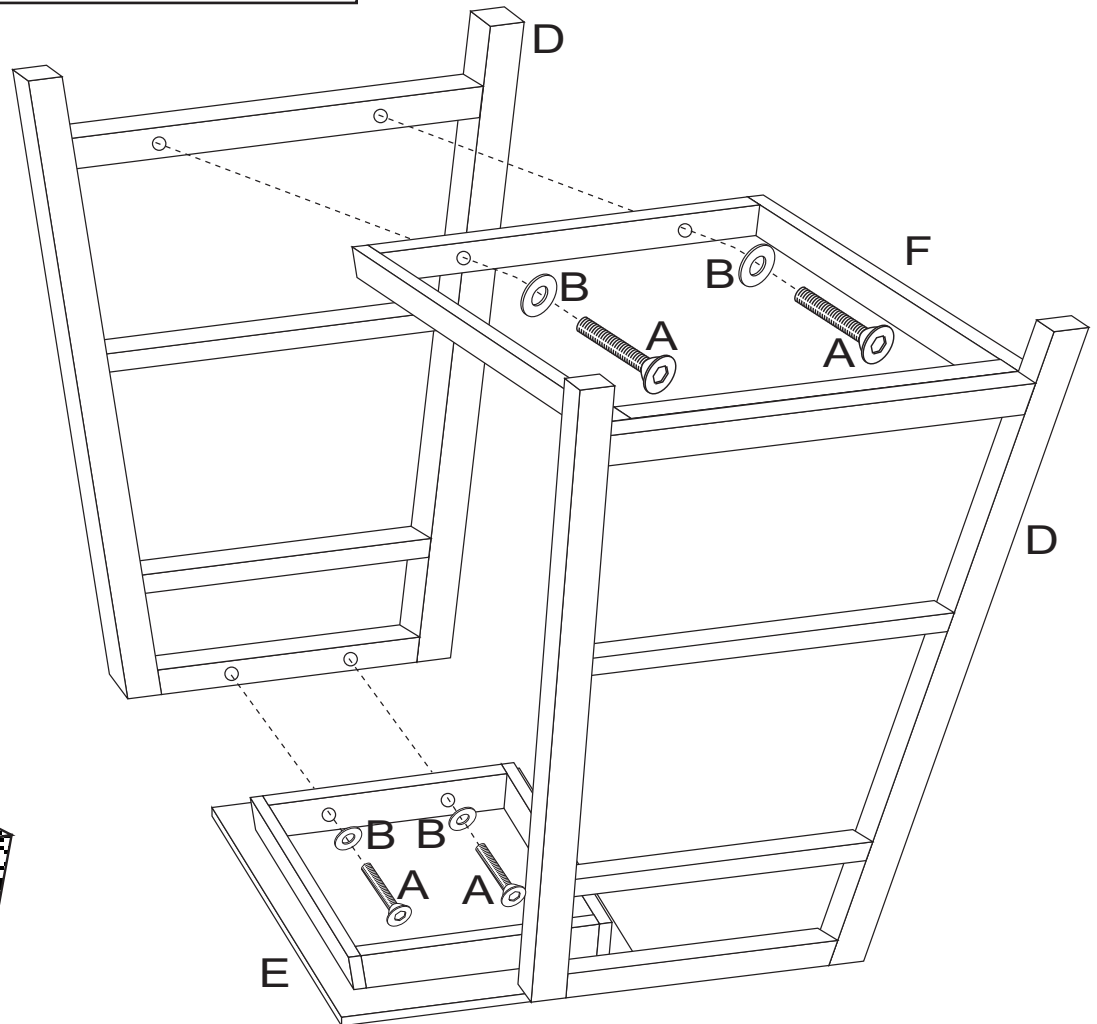
Attach Bottom Rack (F) to each Side Panel (D) using 2 Allen Bolts (A) and 2 Metal Washers (B) per each side panel. Tighten All Bolts.

### STEP 3.

Attach Top (E) to each Side Panel (D) using 2 Allen Bolts (A) and 2 Metal Washers (B) per each side panel. Tighten All Bolts.

### STEP 4.

Insert each Small Basket (G) and Large Basket (H) to complete assembly.



**CARE & MAINTENANCE:** The touch of a soft cloth is all the maintenance the finish will ever need. Please do not use harsh or abrasive cleaners for polishing, as they may cause damage to the finish. Periodic checks are recommended to make sure that all bolts, screws and nuts are securely tightened.