

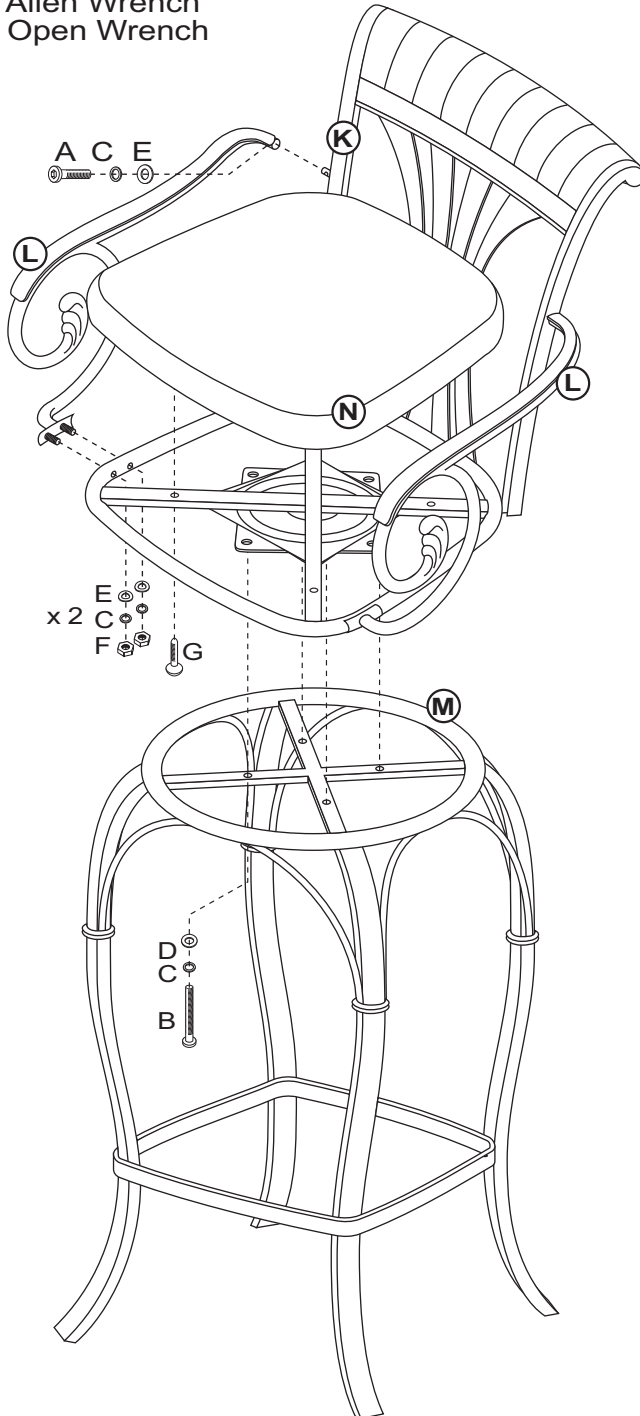
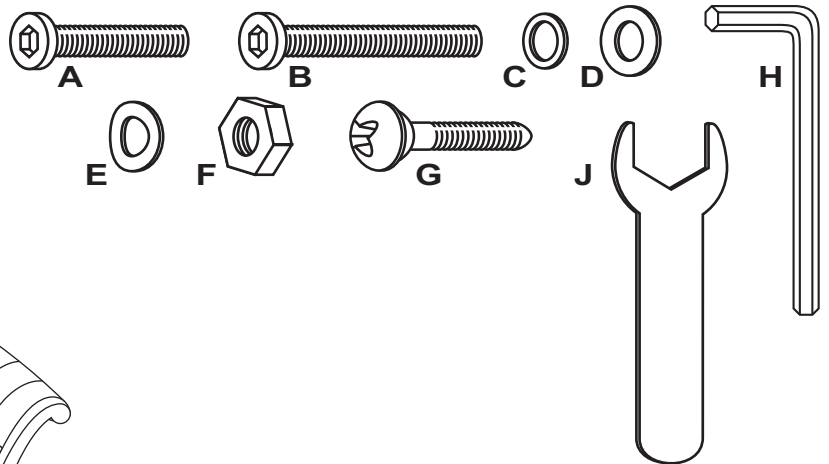
Examine all packaging material for small parts that may have come loose during shipment. Periodic checks are recommended to insure that all components are in proper position, tight and free from damage. Keep this assembly instruction for future reference. Adult assembly required. Online Parts Request: [parts.request@hillsidefurniture.com](mailto:parts.request@hillsidefurniture.com) - Customer Service Phone Number: 502-562-0000

**HARDWARE LIST**

- A (2) Short Allen Bolts
- B (4) Long Allen Bolts
- C (10) Spring Washers
- D (4) Flat Washers
- E (6) Camber Washers
- F (4) Hex Nuts
- G (4) Wood Screws
- H (1) Allen Wrench
- J (1) Open Wrench

**PARTS LIST**

- K (1) Seat Base
- L (2) Arms
- M (1) Stool Base
- N (1) Seat Cushion



**STEP 1**

Begin assembly by first attaching the Seat Base (K) to the Stool Base (M) using 4 Long Allen Bolts (B), 4 Spring Washers (C) & 4 Flat Washers (D) to secure in place. Tighten all bolts using the Allen Wrench (H) that is provided.

**STEP 2**

Attach each Arm (L) first to the Seat Base (K) by inserting each threaded rod into the holes on the front end of the base. Once it is through, secure in place using 2 Camber Washers (E), 2 Spring Washers (C) & 2 Hex Nuts (F). Tighten using the Open Wrench (J) that is provided.

**STEP 3**

Next, attach the top end of each Arm to the outer top side of the Seat Base (K) by slipping each end over top of the metal stud. Once in place, secure using 1 Small Allen Bolt (A), 1 Spring Washer (C) & 1 Camber Washer (E) per each side. Tighten all bolts.

**STEP 4**

Finally, attach the Seat Cushion (N) to the Seat Base (K) using 4 Wood Screws (G) to hold in place. Only tighten screws using a phillips head screwdriver (not included). The assembly is now complete.