

MORVICH SWIVEL STOOLS

Model #4693-826 Swivel Counter Stool

Model #4693-830 Swivel Bar Stool

Date: 02-21-06

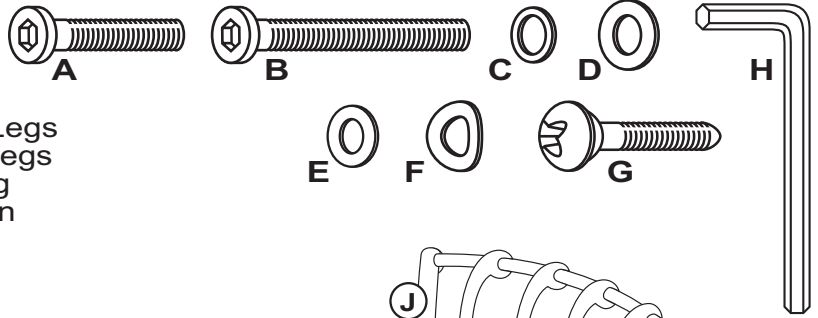
Examine all packaging material for small parts that may have come loose during shipment. Periodic checks are recommended to insure that all components are in proper position, tight and free from damage. Keep this assembly instruction for future reference. Adult assembly required. Online Parts Request: parts.request@hillsdalefurniture.com - Customer Service Phone Number: 502-562-0000

HARDWARE LIST

- A (12) Short Allen Bolts
- B (6) Long Allen Bolts
- C (16) Spring Washers
- D (6) Large Flat Washers
- E (2) Small Flat Washers
- F (8) Camber Washers
- G (4) Wood Screws
- H (1) Allen Wrench

PARTS LIST

- J (1) Stool Back
- K (1) Seat Base
- L (1) Top Ring
- M (2) Front Stool Legs
- N (2) Rear Stool Legs
- O (1) Support Ring
- P (1) Seat Cushion



STEP 1

Begin the assembly by first attaching the Stool Back (J) to the Seat Base (K) by inserting each post in place. Once in place, secure using 1 Long Allen Bolt (B), 1 Spring Washer (C) & 1 Large Flat Washer (D) per each post. Tighten all bolts only using the Allen Wrench (H) that is provided.

STEP 2

Next, attach the Support Ring (O) to the outside of each Front Stool Leg (M) using 1 Short Allen Bolt (A) per each leg. Also attach the Support Ring to the inside of each Rear Stool Leg (N) using 1 Short Allen Bolt (A), 1 Spring Washer (C) & 1 Small Flat Washer (E) per each leg. Do not fully tighten bolts.

Note: The Upright of the back must be consistent with the Front Leg Direction.

STEP 3

Attach each Front & Rear Stool Leg (M & N) to the bottom of the Top Ring (L) using 2 Short Allen Bolts (A), 2 Spring Washers (C) & 2 Camber Washers (F) per each leg. Tighten all bolts from Steps 2 & 3.

STEP 4

Attach the Top Ring (L) to the swivel plate on the bottom of the Seat Base (K) using 4 Long Allen Bolts (D), 4 Spring Washers (C) & 4 Large Flat Washers (D) to secure in place. Tighten all bolts.

STEP 5

Finally, attach the Seat Cushion (P) to the Seat Base (K) using 4 Wood Screws (G) to hold tight in place. Tighten screws only using a phillips head screwdriver (Not Included). The assembly is now complete.

