

MONROE SWIVEL STOOLS

Model #4681-826 Swivel Counter Stool

Model #4681-830 Swivel Bar Stool

Date: 03-14-06

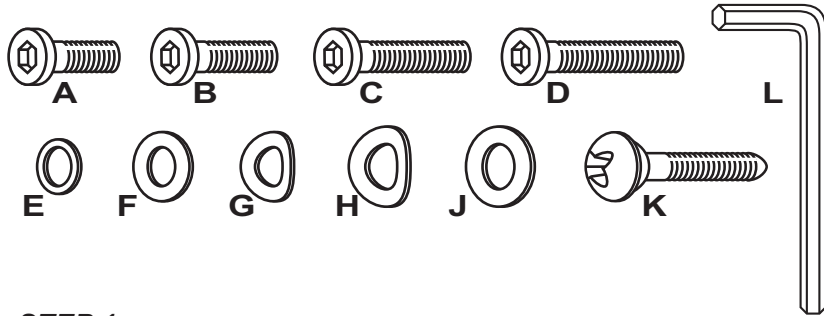
Examine all packaging material for small parts that may have come loose during shipment. Periodic checks are recommended to insure that all components are in proper position, tight and free from damage. Keep this assembly instruction for future reference. Adult assembly required. Online Parts Request: parts.request@hillsdalefurniture.com - Customer Service Phone Number: 502-562-0000

HARDWARE LIST

- A (4) Allen Bolts 1/4" x 1/2"
- B (8) Allen Bolts 1/4" x 5/8"
- C (2) Allen Bolts 1/4" x 1"
- D (6) Allen Bolts 1/4" x 1-1/4"
- E (20) Spring Washers 1/4"
- F (2) Small Flat Washers 1/4" x 13mm
- G (4) Small Camber Washers 1/4" x 13mm
- H (8) Large Camber Washers 1/4" x 16mm
- J (6) Large Flat Washers 1/4" x 16mm
- K (4) Wood Screws
- L (1) Allen Wrench

PARTS LIST

- M (1) Stool Back
- N (1) Seat Base
- O (1) Seat Cushion
- P (1) Stool Base
- Q (2) Front Legs
- R (2) Rear Legs
- S (1) Foot Rest
- T (1) Cross Section



STEP 1

Begin the assembly by attaching the Stool Back (M) to the Seat Base (N) by inserting each post into place and securing using 1 Allen Bolt (C), 1 Spring Washer (E) & 1 Large Flat Washer (J) per each side. Tighten all bolts.

Note: The Upright of the back must be consistent with the Front Leg Direction.

STEP 2

Next attach both Front Legs (Q) & Rear Legs (R) to the bottom of the Stool Base (F) using 2 Allen Bolts (B), 2 Spring Washers (E) & 2 Large Camber Washers (H) per each leg. Do not fully tighten bolts.

STEP 3

Attach the Cross Section (T) to each Front and Rear Leg (Q & R) by setting in place and securing using 1 Allen Bolt (A), 1 Spring Washer (E) & 1 Small Camber Washer (G) per each leg. Do not fully tighten bolts.

STEP 4

Attach the Foot Rest (S) to both Front Legs (Q) by inserting each post into place and securing using 1 Allen Bolt (B), 1 Spring Washer (E) & 1 Small Flat Washer (F) per each side. Tighten all bolts from Steps 2 through 4.

STEP 5

Attach the Seat Base (N) to the Stool Base (P) using 4 Allen Bolts (D), 4 Spring Washers (E) & 4 Large Flat Washers (J) through the cross bars and into the swivel metal plate. Tighten all bolts.

STEP 5

Finally, attach the Seat Cushion (O) to the Seat Base (N) using 4 Wood Screws (K) to hold tight in place. Tighten all screws. The assembly is now complete.

