

Examine all packaging material for small parts that may have come loose during shipment. Periodic checks are recommended to insure that all components are in proper position, tight and free from damage. Keep this assembly instruction for future reference. Adult assembly required. Online Parts Request Form: www.hillsdalehouse.com/parts_request.html

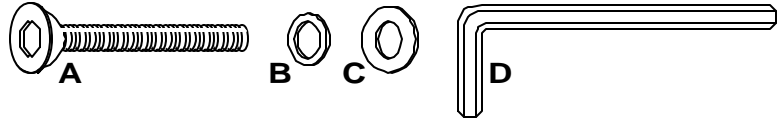
HARDWARE LISTS

- A (4) Allen Bolts
- B (4) Spring Washers
- C (4) Metal Washers
- D (1) Allen Wrench

PARTS LISTS

- E (1) Stool Top
- F (1) Stool Base

Tools Required: Allen Wrench (Supplied)



***** ASSEMBLY *****

Attach Top Section (E) to Bottom Section (F), using 4 Allen Bolts (A), 4 Spring Washers (B) and 4 Metal Washers (C). Tighten All Bolts.

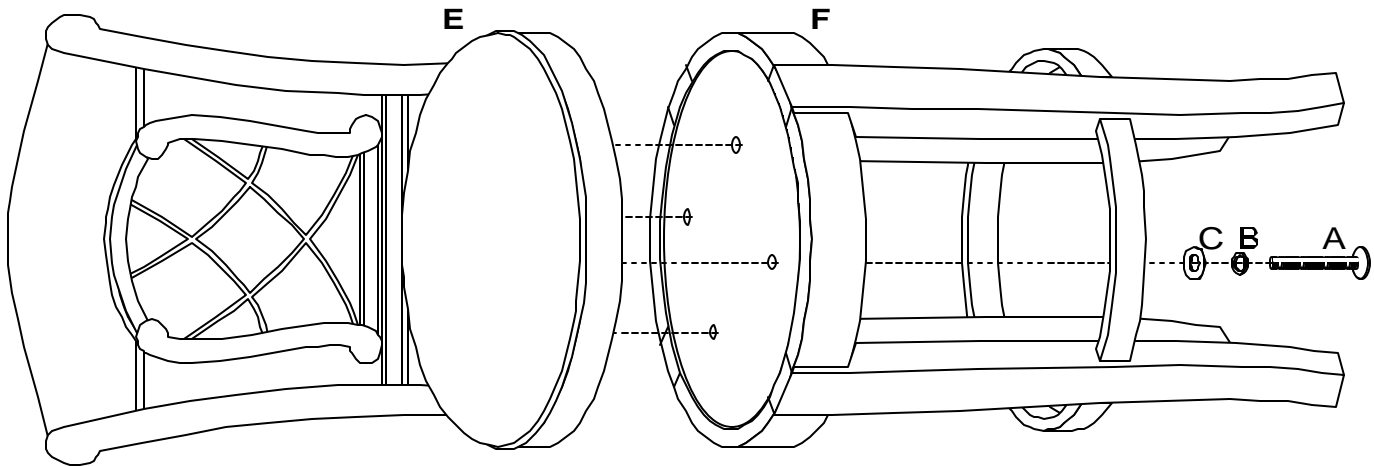


Image represents a generic drawing of the original item that you have purchased.

CARE & MAINTENANCE: The touch of a soft cloth is all the maintenance the finish will ever need. Please do not use harsh or abrasive cleaners for polishing, as they may cause damage to the finish. Periodic checks are recommended to make sure that all bolts, screws and nuts are securely tightened.