

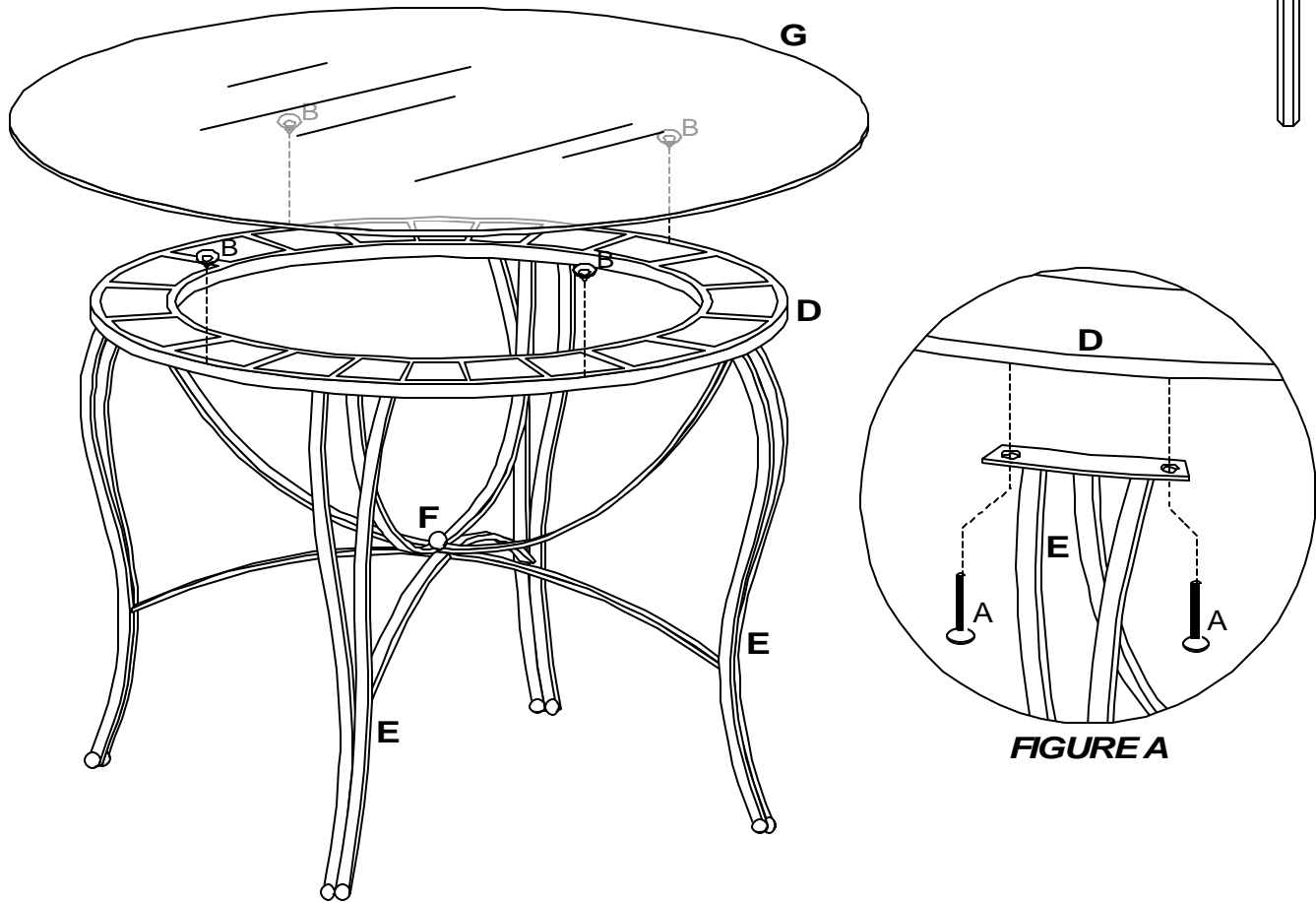
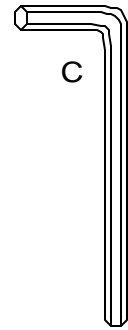
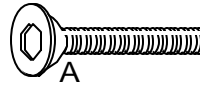
Examine all packaging material for small parts that may have come loose during shipment. Periodic checks are recommended to insure that all components are in proper position, tight and free from damage. Keep this assembly instruction for future reference. Adult assembly required. Online Parts Request Form: www.hillsdalehouse.com/parts_request.html

HARDWARE LIST

- A (8) Allen Bolts
- B (4) Suction Cups
- C (1) Allen Wrench

PARTS LIST

- D (1) Table Base
- E (2) Leg Panels
- F (1) Finial
- G (1) Glass Top



STEP 1

Begin assembly by attaching each Leg Panel (E) together, using Finial (F) provided. Carefully tighten finial into each leg panel for secure support.

STEP 2 - See Figure A

Attach each Leg Panel (E) to Table Base (D), using 2 Allen Bolts (A) per each leg. Tighten all bolts only using Allen Wrench (C) that has been provided.

STEP 3

Finally, insert each Suction Cup (B) into each hole located in top of Table Base (D). Once in place, carefully center Glass Top (G) on top to complete assembly.

CARE & MAINTENANCE: The touch of a soft cloth is all the maintenance the finish will ever need. Please do not use harsh or abrasive cleaners for polishing, as they may cause damage to the finish. Periodic checks are recommended to make sure that all bolts, screws and nuts are securely tightened.