

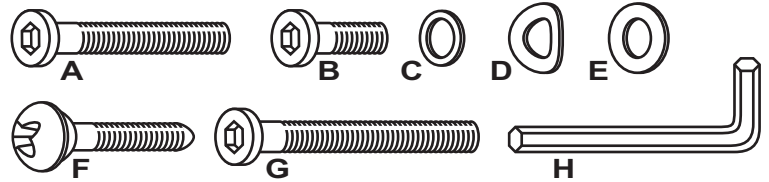
Examine all packaging material for small parts that may have come loose during shipment. Periodic checks are recommended to insure that all components are in proper position, tight and free from damage. Keep this assembly instruction for future reference. Adult assembly required. Online Parts Request: [parts.request@hillsdalefurniture.com](mailto:parts.request@hillsdalefurniture.com) - Customer Service Phone Number: 502-562-0000

**HARDWARE LIST**

**PARTS LIST**

- A (4) Medium Allen Bolts
- B (20) Short Allen Bolts
- C (26) Spring Washers
- D (20) Camber Washers
- E (6) Flat Washers
- F (4) Wood Screws
- G (2) Long Allen Bolts
- H (1) Allen Wrench

- J (1) Stool Back
- K (1) Seat Frame
- L (1) Stool Base
- M (4) Legs
- N (1) Support Ring
- O (1) Seat Cushion



**STEP 1**

Begin assembly by first attaching each Leg (M) to Stool Base (L), using 3 Short Allen Bolts (B), 3 Spring Washers (C) & 3 Camber Washers (D) per each leg. Only hand tighten bolts for this step.

**STEP 2**

Next, attach Support Ring (N) to each Leg (M), using 2 Short Allen Bolts (B), 2 Spring Washers (C) & 2 Camber Washers (D) per each leg. Tighten all bolts from Steps 1 & 2 only using the Allen Wrench (H) provided.

**STEP 3**

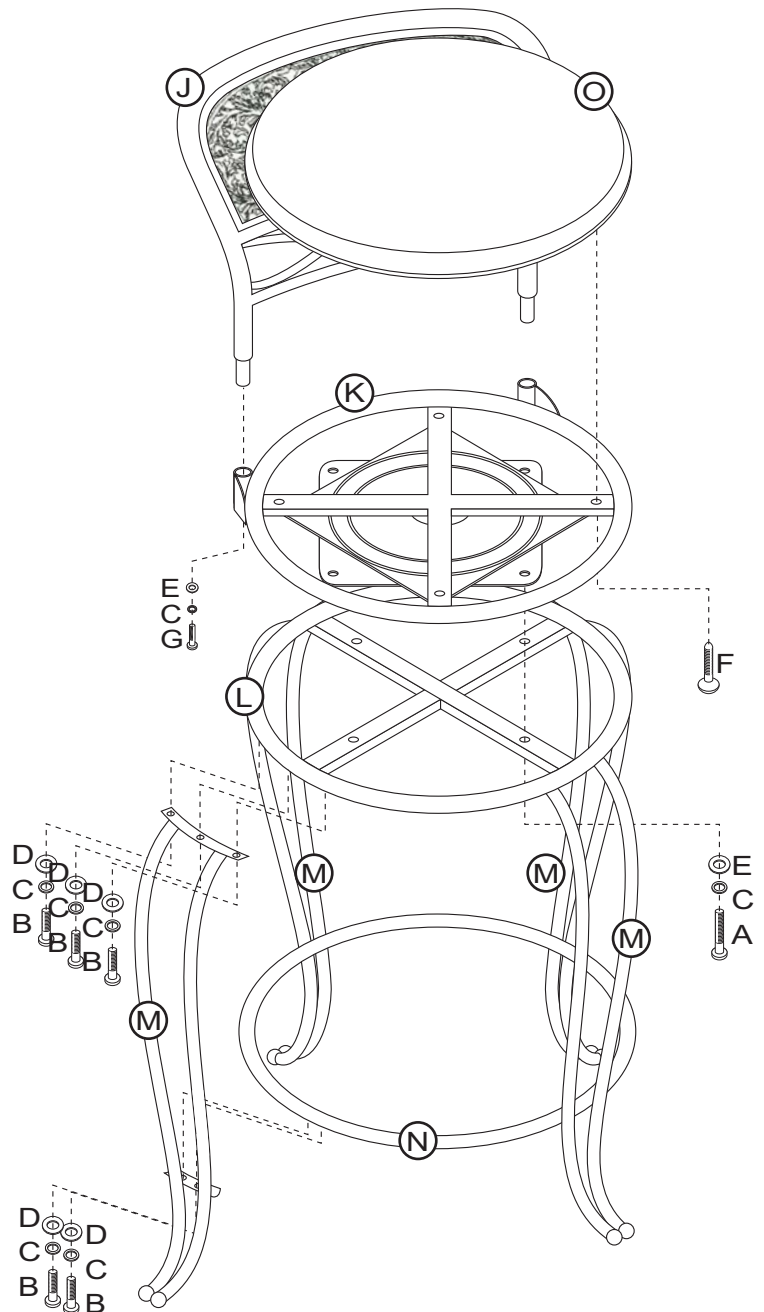
Attach the Stool Back (J) to the Seat Frame (K), by first inserting each tab into proper place and using 1 Long Allen Bolt (G), 1 Spring Washer (C) & 1 Flat Washer (E) per each side. Tighten all bolts using the Allen Wrench (H) provided.

**STEP 4**

Attach the Seat Cushion (O) to the Seat Frame (K), using 4 Wood Screws (F) to hold in place. The use of power tools are not recommended as they may cause damage to the parts and/or hardware.

**STEP 5**

Finally, attach Seat Frame (K) to Stool Base (L) using 4 Medium Allen Bolts (A), 4 Spring Washers (C) & 4 Flat Washers (E) to hold in place. Only tighten bolts using the Allen Wrench (H) provided. The assembly of your new stool is now complete.



**CARE & MAINTENANCE:** The touch of a soft cloth is all the maintenance the finish will ever need. Please do not use harsh or abrasive cleaners for polishing, as they may cause damage to the finish. Periodic checks are recommended to make sure that all bolts, screws and nuts are securely tightened.