

Examine all packaging material for small parts that may have come loose during shipment. Periodic checks are recommended to insure that all components are in proper position, tight and free from damage. Keep this assembly instruction for future reference. Adult assembly required. Online Parts Request Form: www.hillsdalehouse.com/parts_request.html

HARDWARE LIST

- A (8) Metal Washers
- B (8) Spring Washers
- C (8) Allen Bolts
- D (4) Wood Screws
- E (1) Allen Wrench

PARTS LIST

- F (1) Chair Back
- G (1) Chair Seat
- H (1) Cross Brace
- J (1) Seat Cushion

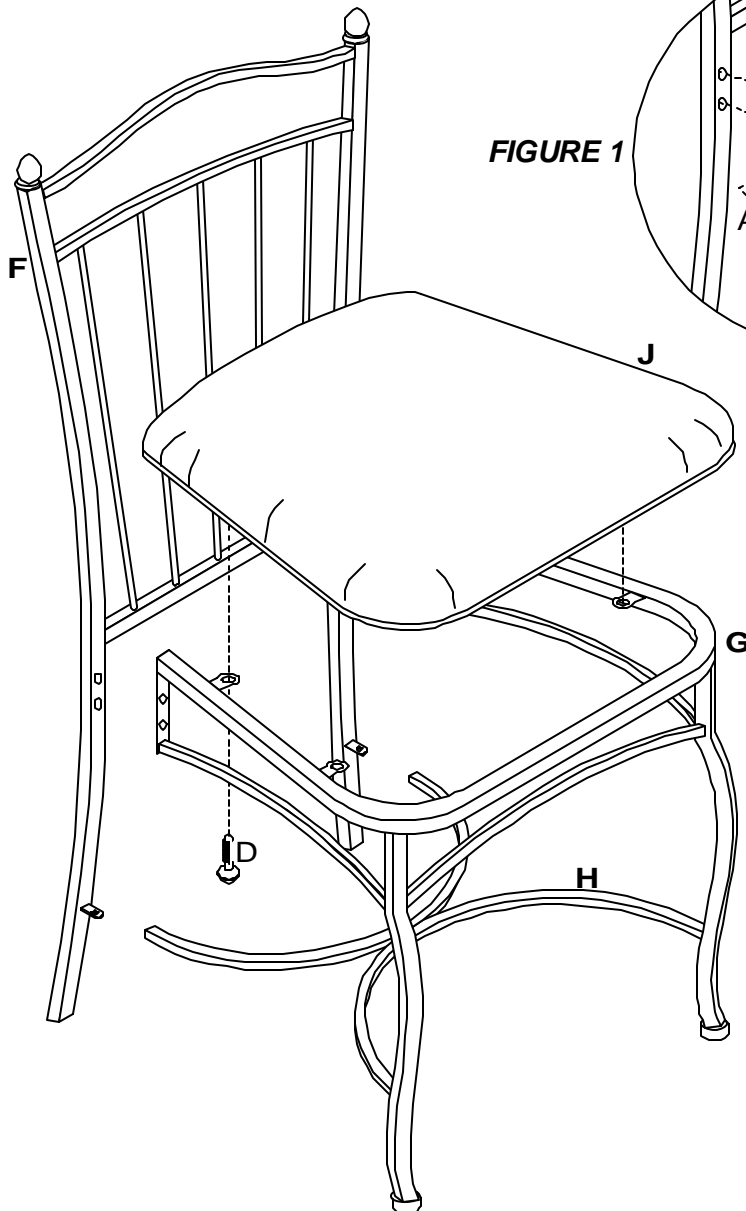
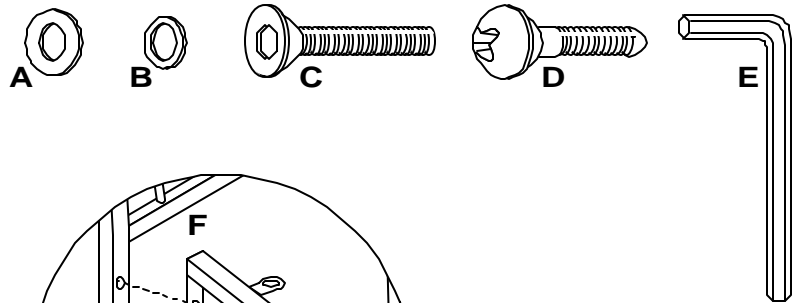


FIGURE 1

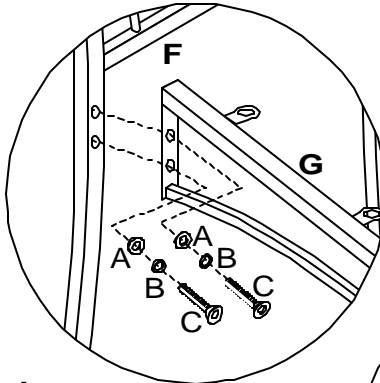
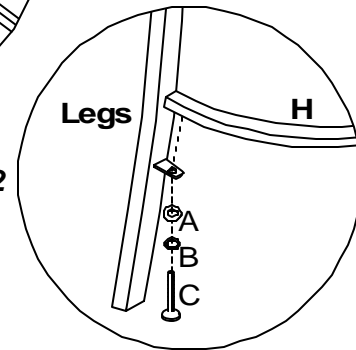


FIGURE 2



STEP 1

Begin assembly by first attaching Chair Back (F) to Chair Seat (G), using 2 Allen Bolts (C), 2 Spring Washers (B) & 2 Metal Washers (A) per each side. See Figure 1. Only hand tighten bolts for this step.

STEP 2

Attach Cross Brace (H) to each leg on Chair Back (F) & each leg on Chair Seat (G), using 1 Allen Bolt (C), 1 Spring Washer (B) & 1 Metal Washers (A) per each end of cross brace. See Figure 2. Tighten all bolts from Steps 1 & 2 using Allen Wrench (E) supplied with hardware.

STEP 3

Attach Seat Cushion (J) to Chair Seat (G), using 4 Wood Screws (D) from the underside to hold in place. See Main Figure. Only use a phillips head screwdriver to tighten screws, power tools may cause stripping to the wood if overtightened. The assembly is now complete.

CARE & MAINTENANCE: The touch of a soft cloth is all the maintenance the finish will ever need. Please do not use harsh or abrasive cleaners for polishing, as they may cause damage to the finish. Periodic checks are recommended to make sure that all bolts, screws and nuts are securely tightened.