

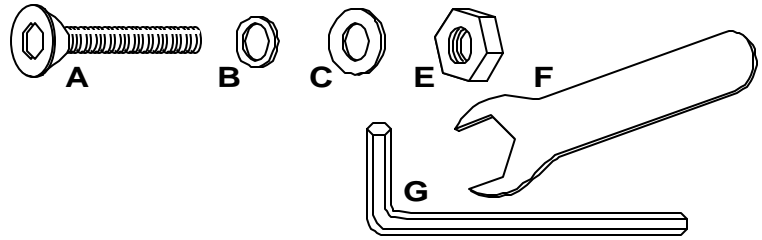
Examine all packaging material for small parts that may have come loose during shipment. Periodic checks are recommended to insure that all components are in proper position, tight and free from damage. Keep this assembly instruction for future reference. Adult assembly required. Online Parts Request Form: www.hillsdalehouse.com/parts_request.html

HARDWARE LIST

- A (12) Allen Bolts
- B (12) Metal Washers
- C (12) Spring Washers
- D (1) Metal Finial
- E (1) Hex Nut
- F (1) Open Wrench
- G (1) Allen Wrench

PARTS LIST

- H (1) Marble Top
- J (1) Glass Top
- K (2) Leg Panels



STEP 1

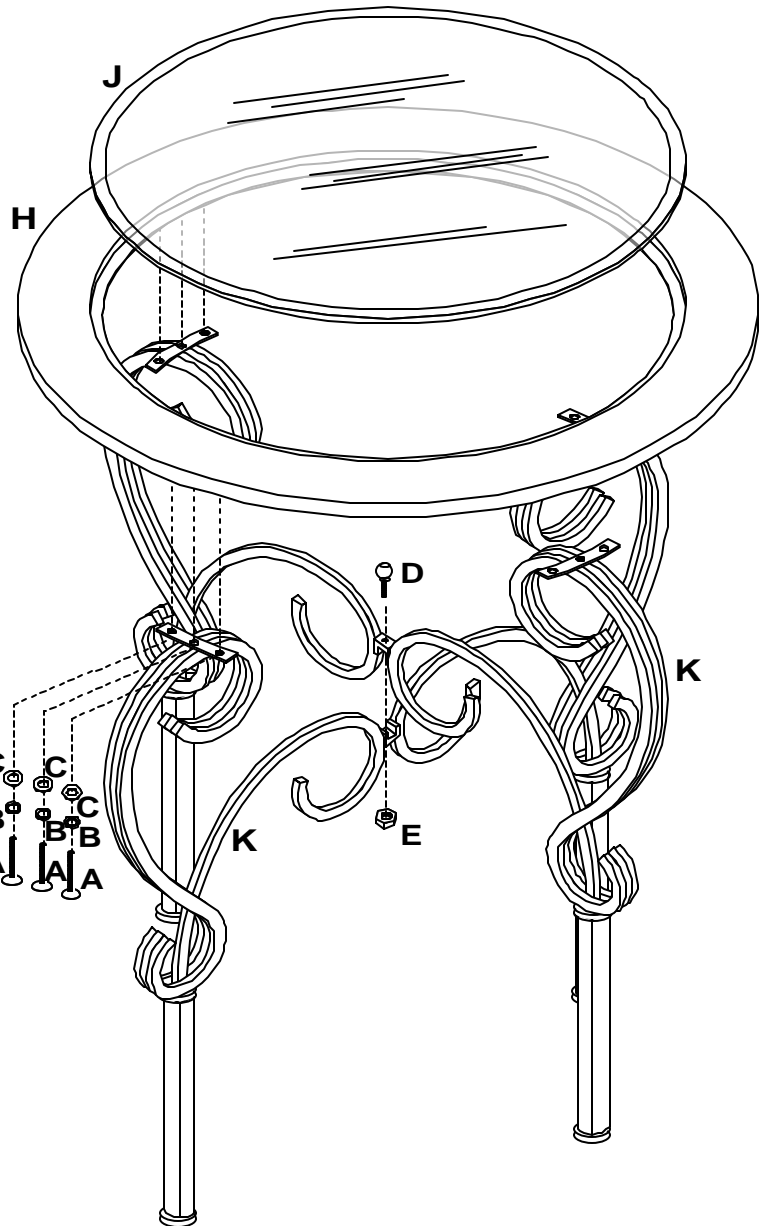
Begin assembly, by first attaching each Leg Panel (K) together, using the Metal Finial (D) & the Hex Nut (E). Tighten hex nut using Open Wrench (F) provided.

STEP 2

Attach Marble Top (H) to each Leg Panel (K), using 3 Allen Bolts (A), 3 Spring Washers (B) & 3 Metal Washers (C) per each leg portion. Once all bolts are in place, tighten each only using Allen Wrench (G) provided. The use of power tools are not recommended as they may cause damage to the parts and/or hardware.

STEP 3

Insert Glass Top (J) as shown in the illustration to the right. Assembly of your new Table is now complete.



CARE & MAINTENANCE: The touch of a soft cloth is all the maintenance the finish will ever need. Please do not use harsh or abrasive cleaners for polishing, as they may cause damage to the finish. Periodic checks are recommended to make sure that all bolts, screws and nuts are securely tightened.