

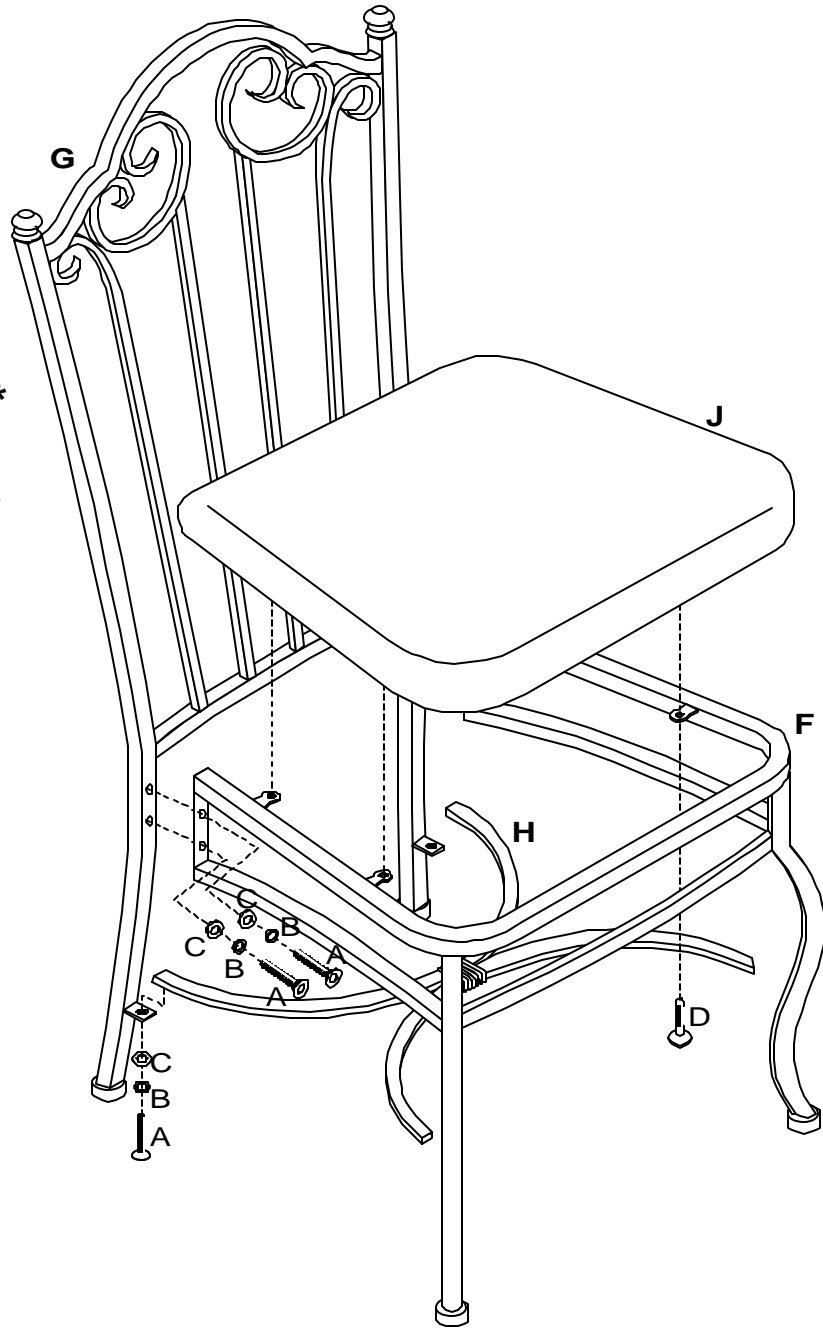
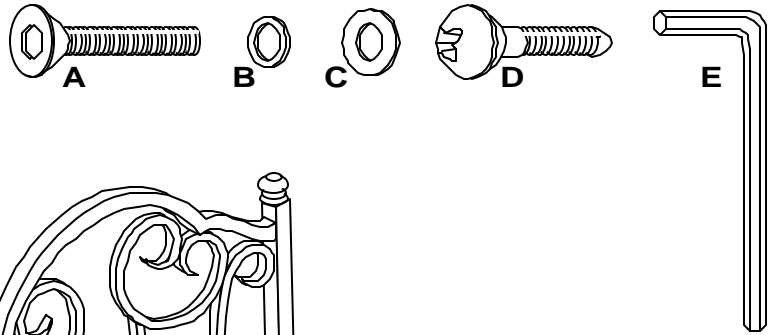
Examine all packaging material for small parts that may have come loose during shipment. Periodic checks are recommended to insure that all components are in proper position, tight and free from damage. Keep this assembly instruction for future reference. Adult assembly required. Online Parts Request Form: www.hillsdalehouse.com/parts_request.html

HARDWARE LIST

- A (8) Allen Bolts
- B (8) Spring Washers
- C (8) Metal Washers
- D (4) Wood Screws
- E (1) Allen Wrench

PARTS LIST

- F (1) Chair Seat
- G (1) Chair Back
- H (1) Cross Brace
- J (1) Seat Cushion



*** * * ASSEMBLY * * ***

STEP 1

Begin assembly by attaching Chair Seat (F) to Chair Back (G) using 2 Allen Bolts (A), 2 Spring Washers (B) & 2 Metal Washers (C) per each side. Only hand tighten bolts for this step.

STEP 2

Attach Cross Brace (H) to each leg on Chair Back (G) & each leg on Chair Seat (F), using 1 Allen Bolt (A), 1 Spring Washer (B) & 1 Metal Washer (C) per each leg. Tighten all bolts from Steps 1 & 2 using Allen Wrench (E) provided. The use of power tools is not recommended as it may cause damage to the product or hardware.

STEP 3

Finally, attach Seat Cushion (J) to Chair Seat (F) using 4 Wood Screws (D) to hold tight in place. Only tighten using Phillips head screwdriver (not included). The assembly is now complete.

CARE & MAINTENANCE: The touch of a soft cloth is all the maintenance the finish will ever need. Please do not use harsh or abrasive cleaners for polishing, as they may cause damage to the finish. Periodic checks are recommended to make sure that all bolts, screws and nuts are securely tightened.