

Examine all packaging material for small parts that may have come loose during shipment. Periodic checks are recommended to insure that all components are in proper position, tight and free from damage. Keep this assembly instruction for future reference. Adult assembly required. Online Parts Request: parts.request@hillsdalefurniture.com - Customer Service Phone Number: 502-562-0000

HARDWARE LIST

- A (16) Allen Bolts
- B (16) Metal Washers
- C (16) Spring Washers
- D (4) Wood Screws
- E (1) Allen Wrench

PARTS LIST

- E (1) Back Panel
- F (1) Seat
- G (1) Chair Base
- H (1) Cross Frame
- J (2) Front Legs

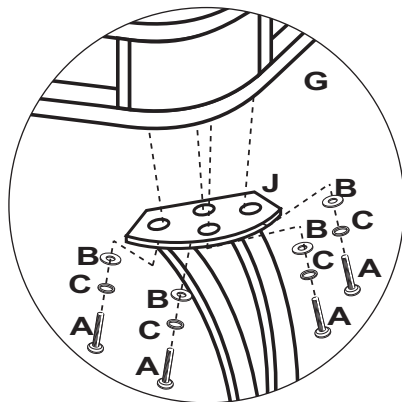
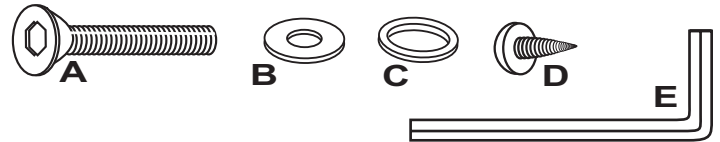


FIGURE 3

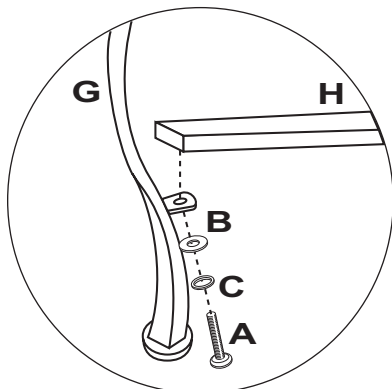


FIGURE 4

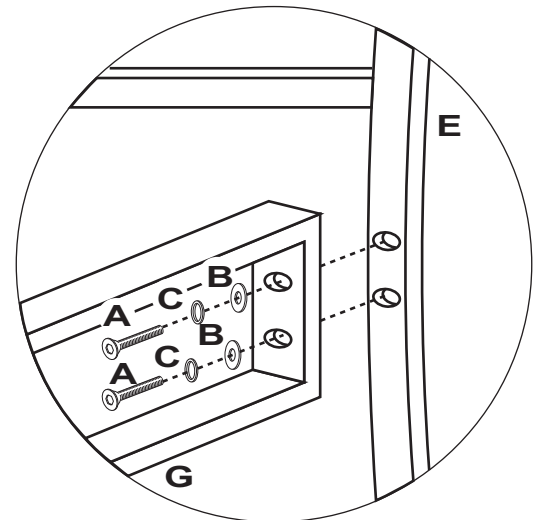
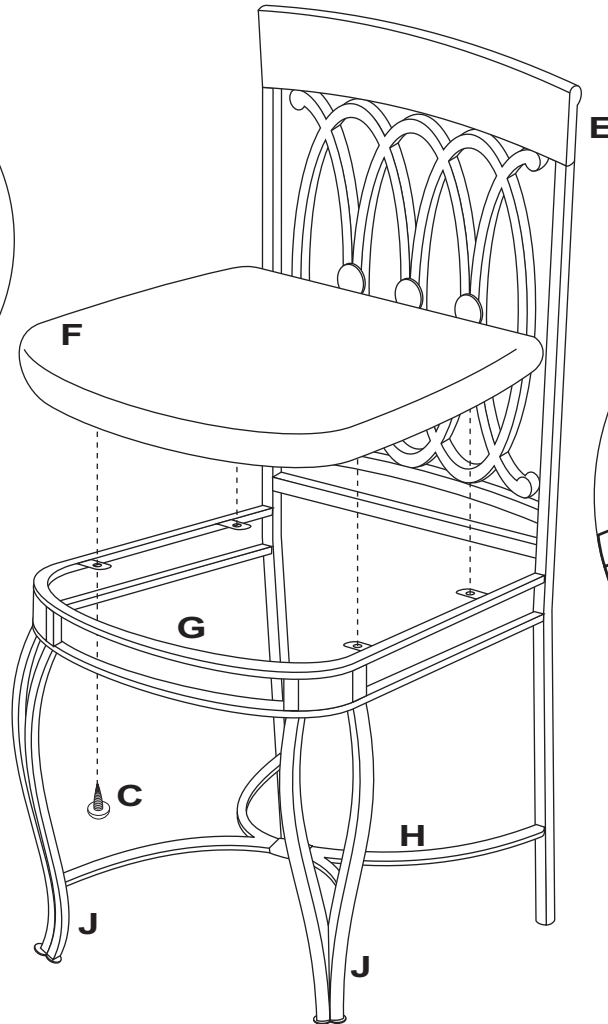


FIGURE 2

STEP 1

Attach Back Panel (E) to Chair Base (G), using 2 Allen Bolts (A), 2 Spring Washers (C) and 2 Metal Washers (B) per side. Tighten Bolts. See figure 2 for details.

STEP 2

Attach Legs (J) to Chair Base (G) using 4 Allen Bolts (A), 4 Spring Washers (C) and 4 Metal Washers (B) per side. Tighten All Bolts. See figure 3 for details.

STEP 3

Attach Cross Frame (H) to Legs on Chair Base (G), using 1 Allen Bolt (A), 1 Spring Washer (C) and 1 Metal Washer (B) per Leg. Tighten All Bolts. See figure 3 for details.

STEP 4

Secure Seat (F) to Chair Base (G) using 4 Wood Screws (D). Tighten Screws. See figure 1.

CARE & MAINTENANCE: The touch of a soft cloth is all the maintenance the finish will ever need. Please do not use harsh or abrasive cleaners for polishing, as they may cause damage to the finish. Periodic checks are recommended to make sure that all bolts, screws and nuts are securely tightened.