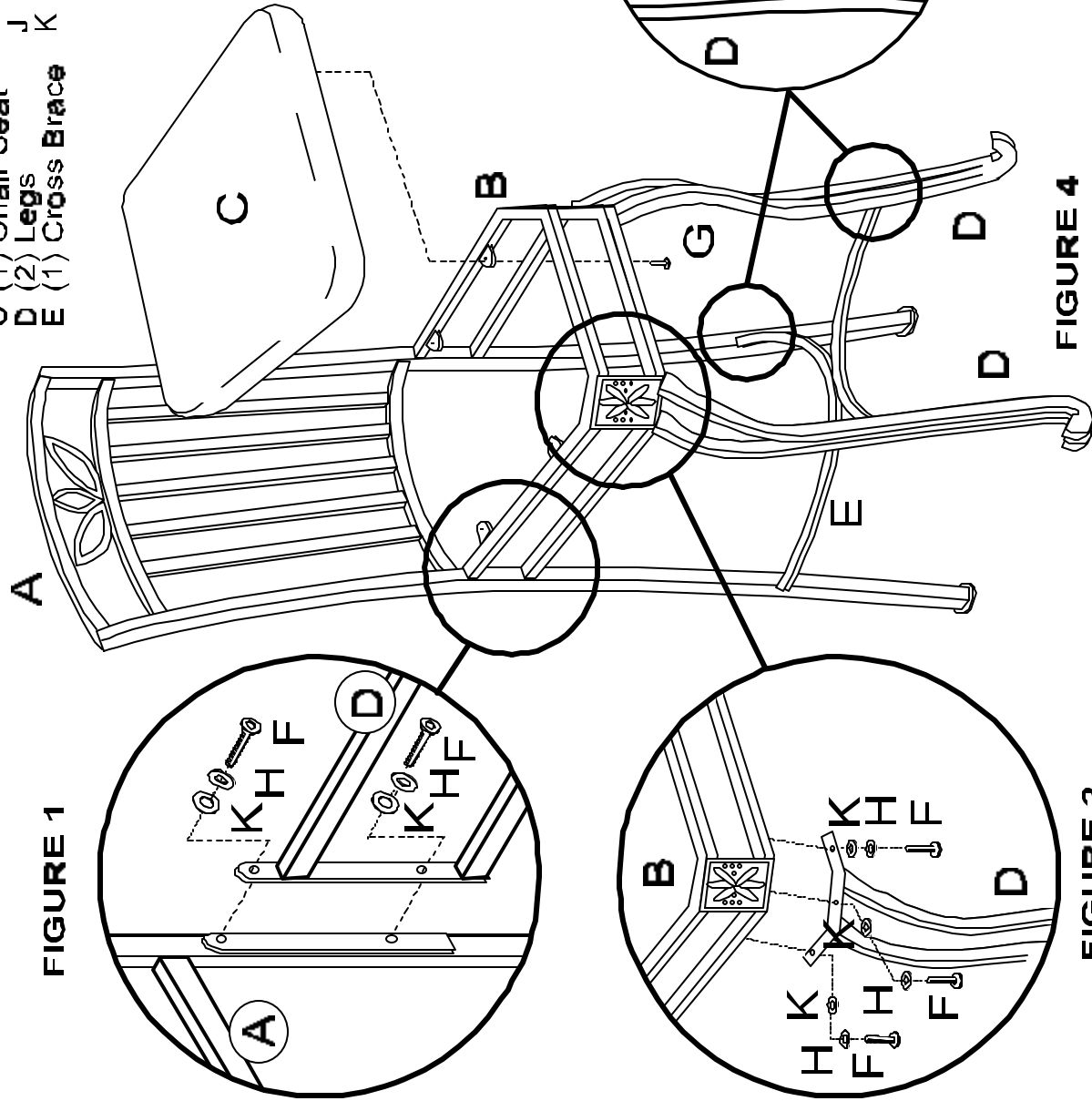


**Scottsdale Chair**  
 Model #40388 Back  
 Model #40389 Seat

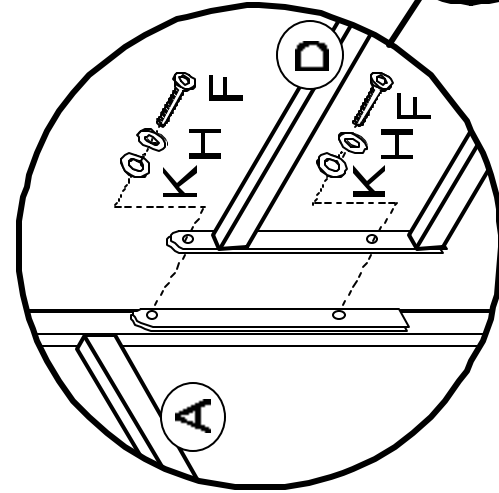
CUSTOMER SERVICE PHONE  
 NUMBER: 502 / 562-0000  
 DATE: 05-09-00

- PARTS LIST**
- A (1) Chair Back
  - B (1) Chair Base
  - C (1) Chair Seat
  - D (2) Legs
  - E (1) Cross Brace

- HARDWARE LIST**
- F (14) Allen Bolts
  - G (4) Wood Screws
  - H (10) Spring Washers
  - J (1) Allen Wrench
  - K (14) Metal Washers



**FIGURE 1**

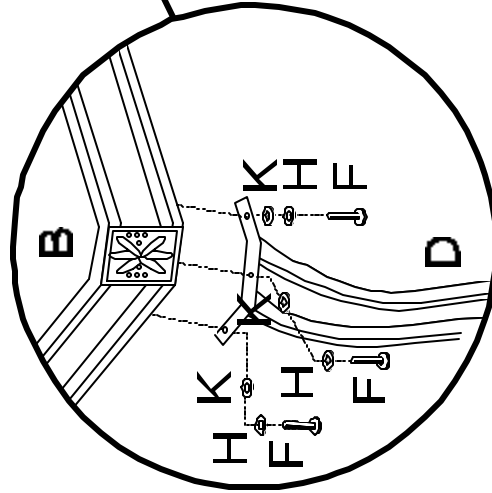


**STEP 1**  
 Fasten Chair Base (B) to front of Chair Back (A) as in figure 1 & 4 using 2 Allen Bolts (F), 2 Spring Washers (H), and 2 Metal Washers (K) per connection. Tighten all bolts.

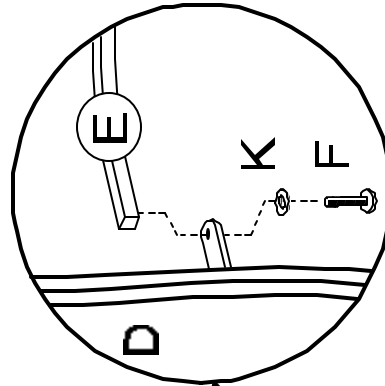
**STEP 2**  
 Fasten Legs (D) to Chair Base (B) using 3 Allen Bolts (F), 3 Spring Washers (H), and 2 Metal Washers (K) per leg. See figures 2 & 4. Tighten all bolts.

**STEP 3**  
 Fasten Cross Brace (E) to all 4 chair legs using 1 Allen Bolt (F), and 1 Metal Washer (K) as shown in figures 3 & 4. Tighten all bolts.

**STEP 4**  
 Fasten the Chair Seat (C) to all 4 brackets (G) located on the Chair Base as shown in figure 4 using 4 Wood Screws (G). Tighten all screws.



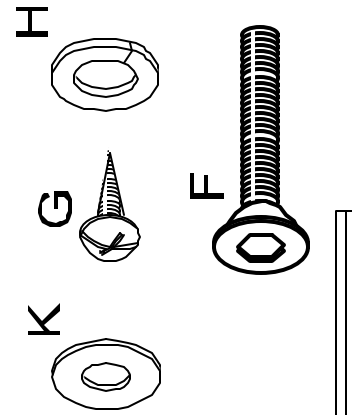
**FIGURE 2**



**FIGURE 3**



**FIGURE 4**



**CARE & MAINTENANCE:** The touch of a soft cloth is all the maintenance the finish of your new CHAIR will ever need. Never use harsh or abrasive cleaners for polishing. Periodic checks are recommended to make sure that all bolts, screws and nuts are securely tightened.