



SCOTTSDALE TABLES

CUSTOMER SERVICE PHONE
NUMBER: 502 / 562-0000
DATE: 01-15-02

Model #40387 Dining Base
Model #40335 Glass Top
Model #40386 Cocktail Base
Model #40389 Glass Top
Model #40384 End Base
Model #40385 Glass Top
Model #41280 Bistro Counter Table Base
Model #41281 Glass Top

Examine all packaging material for small parts that may have come loose during shipment. Periodical checks are recommended to insure that all components are in proper position, tight and free from damage. Keep this assembly instruction for future reference.

PARTS LIST

A (1) Table Base
B (1) Cross Brace
C (4) Legs
D (1) Glass

HARDWARE LIST

E (4) Plastic Glass Supports
F (12) Long Allen Bolts
G (4) Short Allen Bolts
H (16) Spring Washers
J (1) Allen Wrench
K (16) Metal Washers

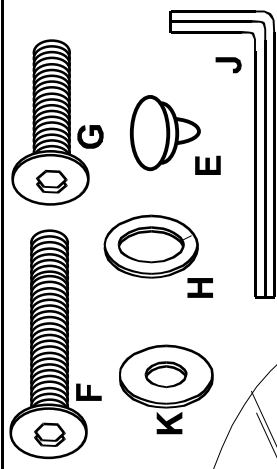


FIGURE 1

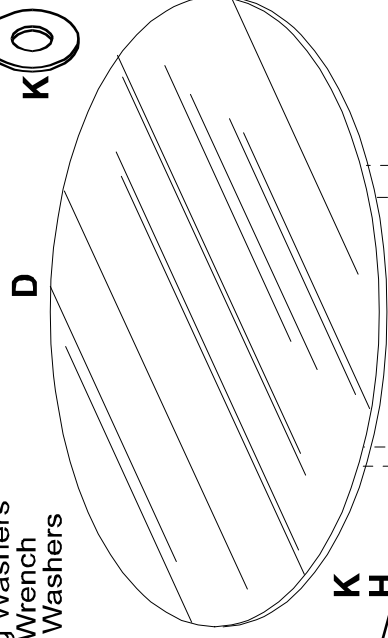
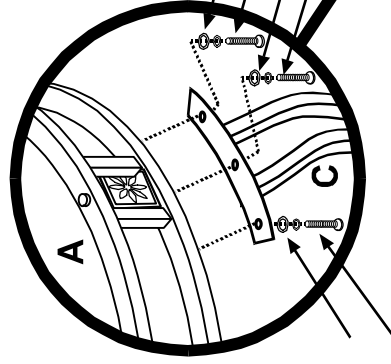


FIGURE 2

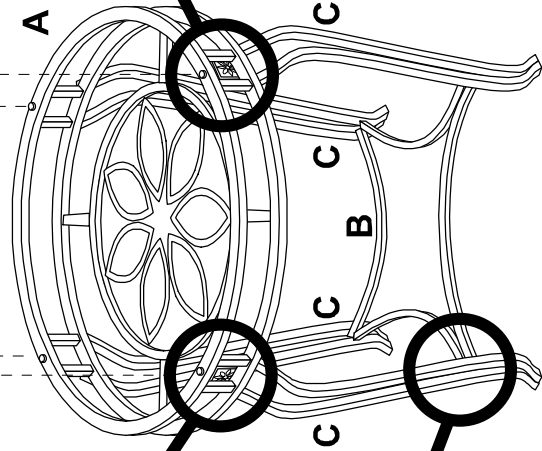
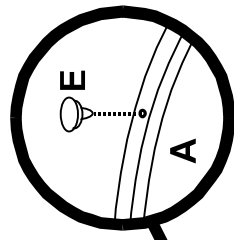


FIGURE 3

FIGURE 4



STEP 1

Fasten each Leg (C) to bottom of Table Frame (A) using 3 Long Allen Bolts (F), 3 Spring Washers (H) and 3 Metal Washers (K) per Leg. See figure 1 & 3.

STEP 2

Fasten Cross Brace (B) to each Leg (C) using 1 Short Allen Bolt (G), 1 Spring Washer (H) and 1 Metal Washer (K). See figure 2 & 3. Tighten all bolts used in steps 1 & 2.

STEP 3

Insert 1 Plastic Glass Support (E) into holes on top ring of Table Frame (A). See figure 3 & 4.

STEP 4

With the help of a friend, carefully center Glass (D) on top of Plastic Glass Supports (E).

CARE & MAINTENANCE: The touch of a soft cloth is all the maintenance the finish of your new table will ever need. Never use harsh or abrasive cleaners for polishing. Periodic checks are recommended to make sure that all bolts, screws and nuts are securely tightened.