

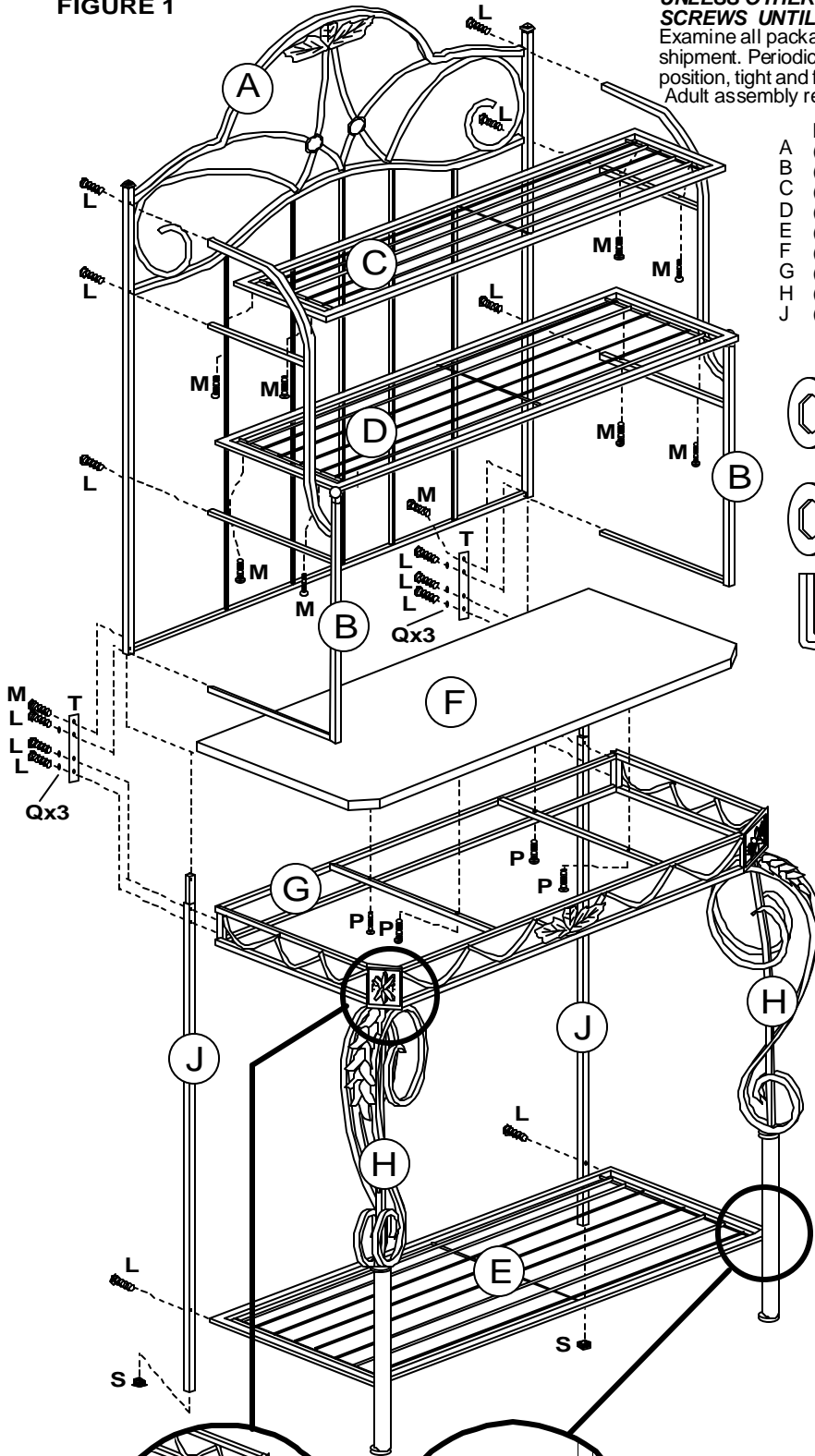


Bordeaux Bakers Rack  
 Model #40364 - PEWTER  
 Model #40368/40369 - RUST  
 Model #40418/40419 - PEWTER

Adult assembly required.  
 Date: 09-15-00

CUSTOMER SERVICE PHONE NUMBER 502 562-0000  
**UNLESS OTHERWISE STATED, PLEASE DO NOT TIGHTEN BOLTS (AND/OR) SCREWS UNTIL UNIT IS COMPLETELY ASSEMBLED ON A FLAT SURFACE.**  
 Examine all packaging material for small parts that may have come loose during shipment. Periodic checks are recommended to insure that all components are in proper position, tight and free from damage. Keep this assembly instruction for future reference. Adult assembly required.

FIGURE 1

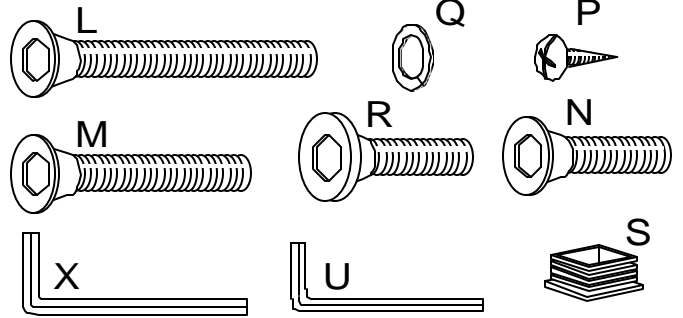


**PARTS LIST**

- A (1) Back Panel
- B (2) Side Frames
- C (1) Top Wire Shelf
- D (1) Middle Wire Shelf
- E (1) Bottom Wire Shelf
- F (1) Wood Shelf
- G (1) Base Frame
- H (2) Front Posts
- J (2) Back Posts

**HARDWARE LIST**

- L (14) Long Allen Bolts
- M (10) Medium Allen Bolts
- N (2) Short Allen Bolts
- P (4) Wood Screws
- Q (10) Spring Washers
- R (4) Large Head Allen Bolt
- S (2) End Caps
- T (2) Metal Plates
- U (1) Small Allen Wrench
- X (1) Large Allen Wrench



**STEP 1**

Fasten both Front Legs (H) to the Base Frame (G) as shown in figure 2 using 2 Spring Washers (Q) and 2 Large Head Allen Bolts (R) per Front Leg.

**STEP 2**

Insert 1 End Cap (S) into the bottom of each Back Post (J). Next, fasten both Back Posts (J) to the Base Frame (G) as shown in figure using 1 Metal Plate (T), and 2 Long Allen Bolts (L) and 2 Spring Washers (Q) per Back Posts.

**STEP 3**

Secure Bottom Wire Shelf (E) to both Back Posts (J) as shown in figure 1 using 1 Long Allen Bolt (L) per post. Next, secure the Bottom Wire Shelf (E) to both Front Posts (H) using 1 Short Allen Bolt (N) per post. See figure 3.

**STEP 4**

Fasten top three bars of each Side Frame (B) to the Back Panel (A) using 3 Long Allen Bolts (L). See figure 1.

**STEP 5**

Fasten the Back Panel (A) and Side frames (B) and Metal Frame (T) using 1 Long Allen Bolt (L), 1 Spring Washer (Q) and 1 Medium Allen Bolt (M) per side of the Back Panel (A). See figure 1.

**STEP 6**

Fasten both Top Wire Shelf (C) and the Middle Wire Shelf (D) to both Side Frames (B) using 4 Medium Allen Bolts (M) per shelf. See figure 1.

**STEP 7**

Tighten all bolts used in Steps 1 thru 6.

**STEP 8**

Slide the Wood Shelf (F) into place as shown in figure 1 and secure in place using 4 Wood Screws (P). Tighten screws.

FIGURE 2

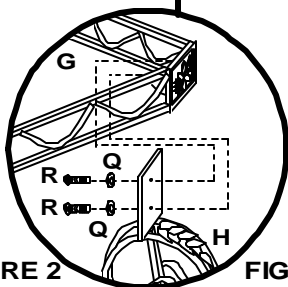
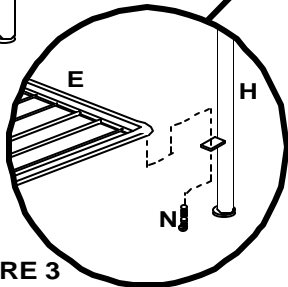


FIGURE 3



**CARE & MAINTENANCE:** The touch of a soft cloth is all the maintenance the finish of your new Bakers Rack will ever need. Never use harsh or abrasive cleaners for polishing. Periodic checks are recommended to make sure that all bolts, screws and nuts are securely tightened.