



TAYLOR BED SET
 Model #398-340 Full Size
 Model #398-490 Queen Size

Customer Service
 Phone Number
 (502) 562-0000
 DATE: 05-15-02

Examine all packaging material for small parts that may have come loose during shipment. Periodical checks are recommended to insure that all components are in proper position, tight and free from damage. Keep this assembly instruction for future reference.

TOOLS REQUIRED FOR ASSEMBLY: Allen Wrench (Supplied).

HARDWARE LIST

- A (4) Rubber Washers
- B (4) Metal Washers
- C (4) Spring Washers
- D (1) Allen Wrench
- E (2) Long Allen Bolts
- F (4) Medium Allen Bolts
- G (2) Short Allen Bolts

PARTS LIST

- H (1) Headboard
- J (2) Leg Extensions
- K (1) Crossbar

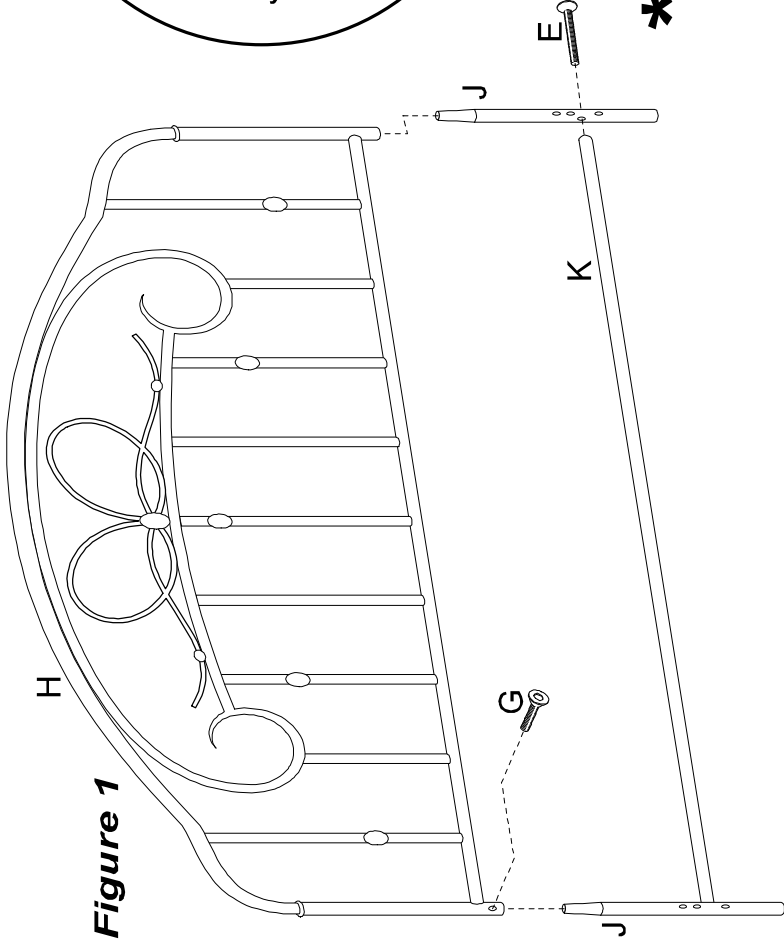
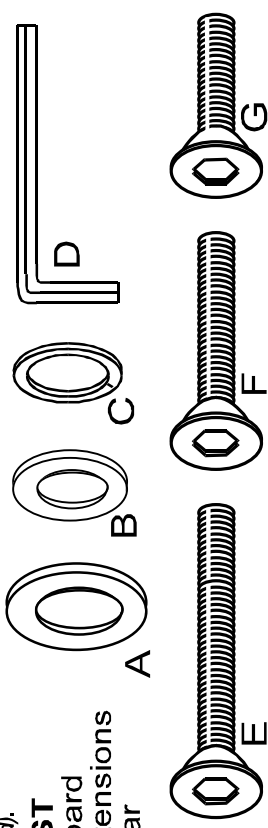


Figure 1

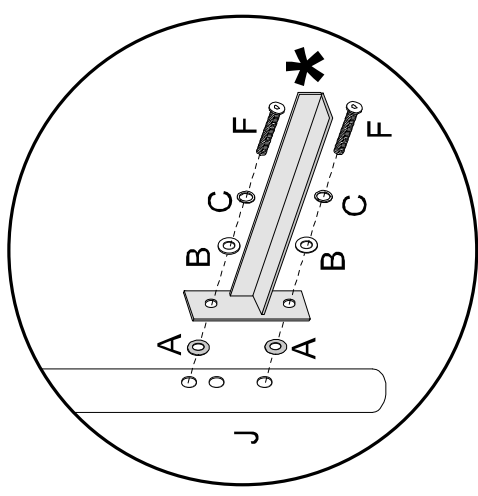


Figure 2

*** Bed Frame Not Included As Shown In Figure 2.**

STEP 1

Attach Leg Extensions (J) to each post on Headboard (H) using 1 Short Allen Bolts (G) per each leg extension. Do not tighten bolts for this step. See Figure 1.

STEP 2

Attach Crossbar (K) to each Leg Extension (J) using 1 Long Allen Bolt (E) per each leg extension. Tighten All Bolts From Steps 1 & 2. See Figure 1.

STEP 3

Attach Bed Frame (*Not Included) to each Leg Extension (J) using 2 Medium Allen Bolts (F), 2 Spring Washers (C), 2 Metal Washers (B) and 2 Rubber Washers (A) per each leg extension. Tighten All Bolts. See Figure 2.

CARE & MAINTENANCE: The touch of a soft cloth is all the maintenance the finish of your new Headboard will ever need. Never use harsh or abrasive cleaners for polishing. Periodic checks are recommended to make sure that all bolts, screws and nuts are securely tightened.