



# TIERRA MAR DRESSER

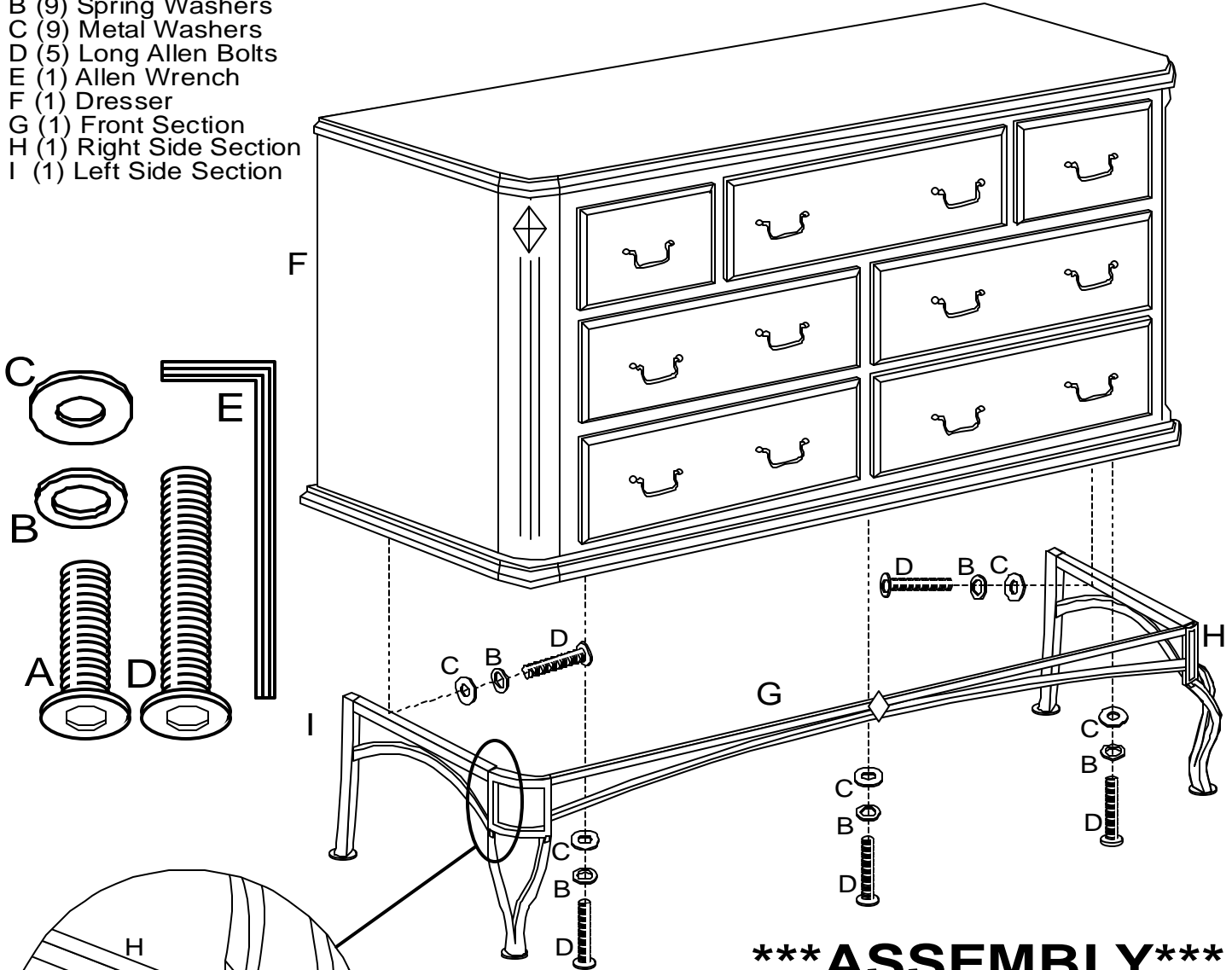
Model # 370-717

CUSTOMER SERVICE  
PH: 502 / 562-0000  
DATE: 07-02-02

IMPORTANT UNLESS OTHERWISE STATED, PLEASE DO NOT TIGHTEN BOLTS (AND/OR) SCREWS UNTIL UNIT IS COMPLETELY ASSEMBLED ON A FLAT SURFACE. Examine all packaging material for small parts that may have come loose during shipment. Periodic checks are recommended to insure that all components are in proper position, tight and free from damage. Keep this assembly instruction for future reference.

## PARTS & HARDWARE LIST

- A (4) Short Allen Bolts
- B (9) Spring Washers
- C (9) Metal Washers
- D (5) Long Allen Bolts
- E (1) Allen Wrench
- F (1) Dresser
- G (1) Front Section
- H (1) Right Side Section
- I (1) Left Side Section



## \*\*\* ASSEMBLY \*\*\*

1. One at a time assemble Front Section (G) to both Right & Left Side Sections (H&I) using 2 Short Allen Bolts (A), 2 Spring Washers (B) & 2 Metal Washers (C) per each side. This creates the bottom rack.

2. Attach Bottom Rack to Dresser (F), using 5 Long Allen Bolts (D), 5 Spring Washers (B) & 5 Metal Washers (C). Tighten all bolts.

**CARE & MAINTENANCE:** The touch of a soft cloth is all the maintenance the finish of your new Dresser will ever need. Never use harsh or abrasive cleaners for polishing. Periodic checks are recommended to make sure that all bolts, screws and nuts are securely tightened.