



TIERRA MAR HEADBOARD

Model #370-340 3/3 Headboard

Model #370-670 6/6 Headboard

Customer Service

Phone Number

(502) 562-0000

DATE: 11-11-02

IMPORTANT UNLESS OTHERWISE STATED, PLEASE DO NOT TIGHTEN BOLTS (AND/OR) SCREWS UNTIL UNIT IS COMPLETELY ASSEMBLED ON A FLAT SURFACE. Examine all packaging material for small parts that may have come loose during shipment. Periodic checks are recommended to insure that all components are in proper position, tight and free from damage. Keep this assembly instruction for future reference.

HARDWARE LIST

- A (4) Rubber Washers
- B (4) Metal Washers
- C (4) Spring Washers
- D (4) Allen Bolts 1-1/2"
- E (1) Allen Wrench

PARTS LIST

- F (1) Headboard Grill
- G (2) Leg Extensions

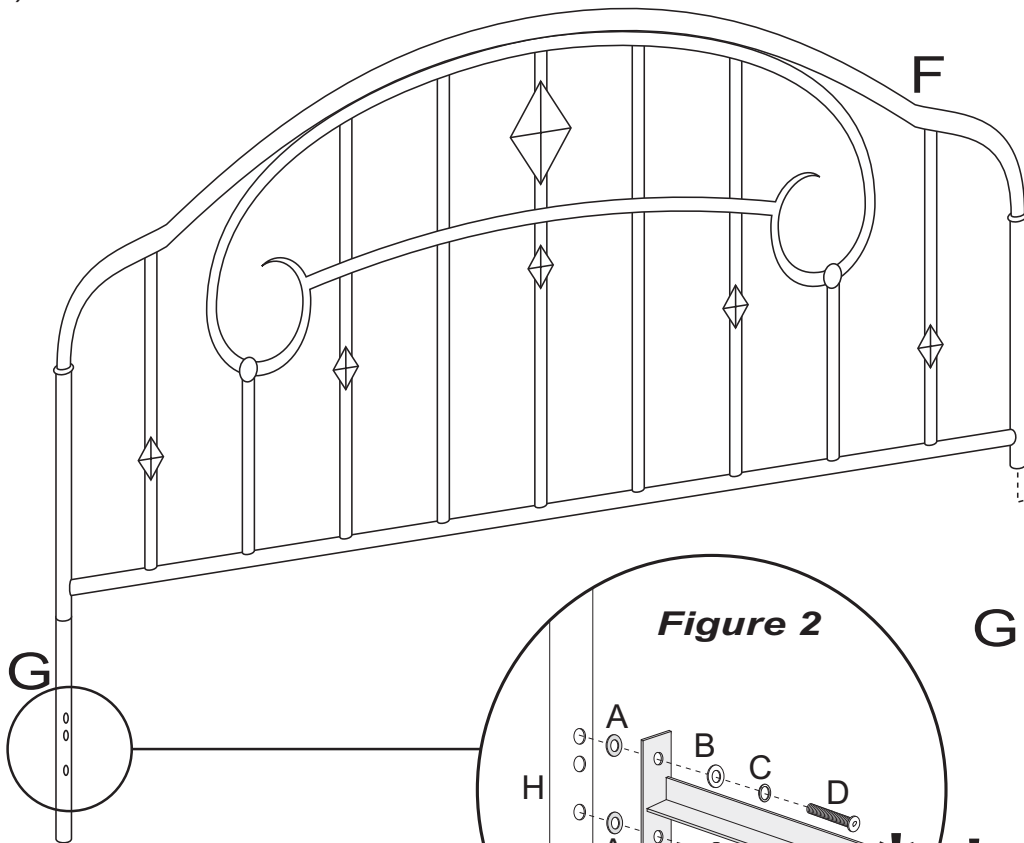
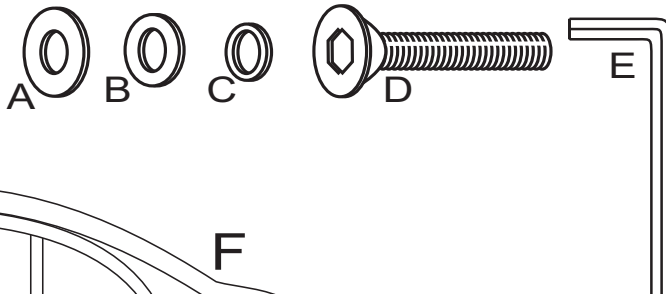


Figure 1

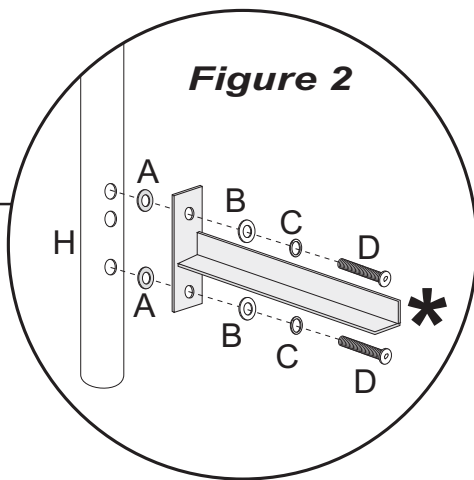


Figure 2

*** Bed Frame Not Included As Shown In Figure 2.**

STEP 1

Attach Leg Extensions (H) to each post on Headboard (F) by pressing in firmly. See Figure 1.

STEP 2

Attach each Bed Frame (*Not Included) to each Leg Extension (G) using 2 Allen Bolts (D), 2 Spring Washers (C), 2 Metal Washers (B) and 2 Rubber Washers (A) per each leg extension. Tighten All Bolts. See Figure 2. Assembly is now complete.

CARE & MAINTENANCE: The touch of a soft cloth is all the maintenance the finish of your new Headboard will ever need. Never use harsh or abrasive cleaners for polishing. Periodic checks are recommended to make sure that all bolts, screws and nuts are securely tightened.