



CHAMBORD DUO PANEL
MODEL #347-670 King

Customer Service
Phone Number:
(502) 562-0000
12-31-01

UNLESS OTHERWISE STATED, PLEASE DO NOT TIGHTEN BOLTS (AND/OR) SCREWS UNTIL UNIT IS COMPLETELY ASSEMBLED ON A FLAT SURFACE. Examine all packaging material for small parts that may have come loose during shipment. Periodic checks are recommended to insure that all components are in proper position, tight and free from damage. Keep this assembly instruction for future reference.

STEP 1.
IF USING FOR HEADBOARD ONLY
Attach Leg Extensions (J) to Duo Panel (H). Attach Bed Frame (*Not Included) to Leg Extensions (J) using 2 Long Allen Bolts (A), 2 Rubber Washers (C), 2 Metal Washers (D), 2 Spring Washers (E) and 2 Hex Nuts (F) per each Leg Extension. Tighten All Bolts And Nuts. See Figure 2 for Illustrated Details. Discard Short Allen Bolts (B) as they will not be needed for a Headboard.

STEP 2.
IF USING FOR FOOTBOARD ONLY
Attach Bed Frame (*Not Included) to each post on Duo Panel (H) using 2 Short Allen Bolts (B), 2 Spring Washers (E), 2 Metal Washers (D) and 2 Rubber Washers (C) per each post. Tighten All Bolts. See Figure 1 for Illustrated Details. Discard Leg Extensions (J), Long Allen Bolts (A) and Hex Nuts (F) as they will not be needed for a footboard.

PARTS LIST

- A (4) Long Allen Bolts
- B (4) Short Allen Bolts
- C (4) Rubber Washers
- D (4) Metal Washers
- E (4) Spring Washers
- F (4) Hex Nuts
- G (1) Allen Wrench

HARDWARE LIST

- H (1) Duo Panel
- J (2) Leg Extensions

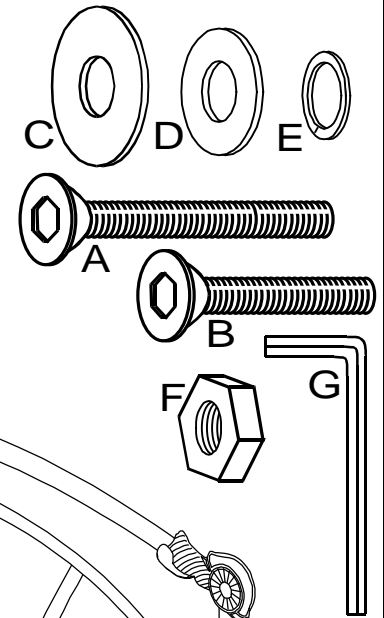
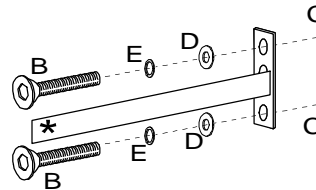
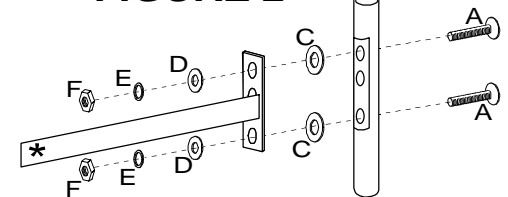


FIGURE 1



***** BED FRAME NOT INCLUDED AS SHOWN IN FIGURES 1 & 2.

FIGURE 2



CARE & MAINTENANCE The touch of a soft cloth is all the maintenance the finish of your new BAYSHORE BED SET will ever need. Never use harsh or abrasive cleaners for polishing. Periodic checks are recommended to make sure that all bolts, screws and nuts are securely tightened.