



BRADLEY HEADBOARD
 Model #239-67 King
 Model #239-00 Post Kit

CUSTOMER SERVICE
 PHONE NUMBER:
 (502) 562-0000
 04-05-01

PLEASE READ FIRST Examine all packaging material for small parts that may have come loose during shipment. Periodical checks are recommended to insure that all components are in proper position, tight and free from damage. Keep this assembly instruction for future reference.

TOOLS REQUIRED FOR ASSEMBLY: ALLEN WRENCH (INCLUDED) OPEN END WRENCH (INCLUDED).

PARTS LIST

- A (1) Headboard
- B (2) Headboard Posts

HARDWARE LIST

- E (4) Hex Nuts
- F (4) Spring Washers
- G (4) Metal Washers
- H (4) Plastic Washers
- J (4) Short Allen Bolts
- K (4) Long Allen Bolts
- L (1) Allen Wrench
- M (1) Open End Wrench
- N (4) Wood Plugs

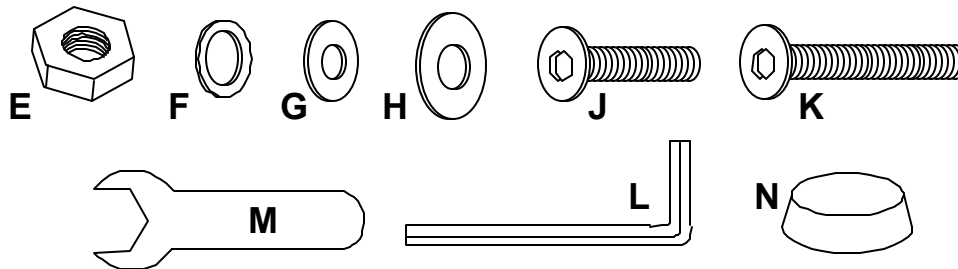
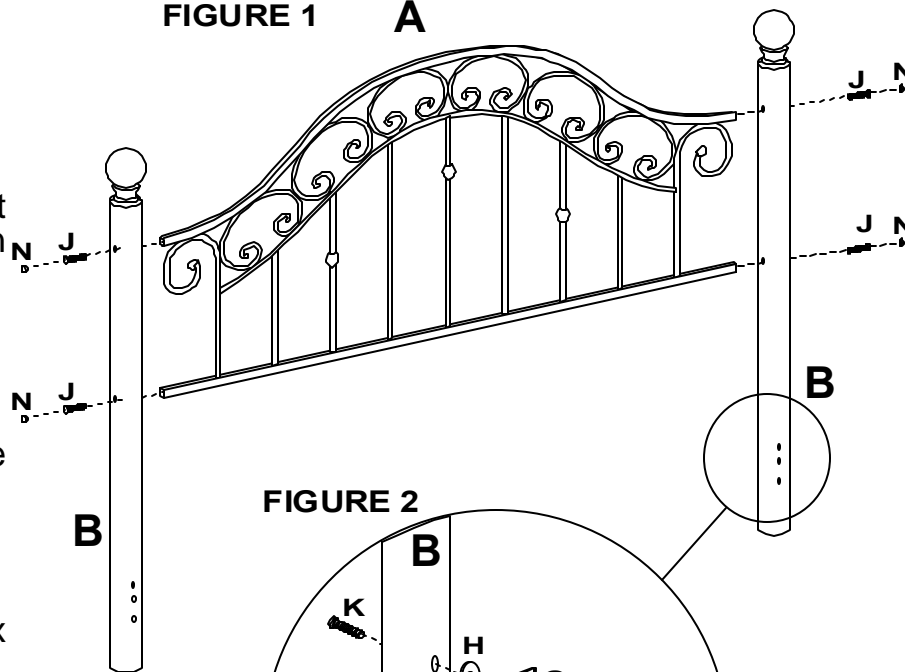


FIGURE 1 A

STEP 1

Attach Headboard Posts (B) to Headboard (A) using 2 Short Allen Bolts (J) per side. Tighten All Bolts. Insert Wood Plugs (N) to cover Bolt Heads. See Figure 1.



STEP 2

Attach Bed Frame (Bed Frame Not Included) to Headboard Posts (B) using 2 Long Allen Bolts (K), 2 Plastic Washers (H), 2 Metal Washers (G), 2 Spring Washers (F) and 2 Hex Nuts (E) per side. Tighten All Bolts. See Figure 2.

FIGURE 2

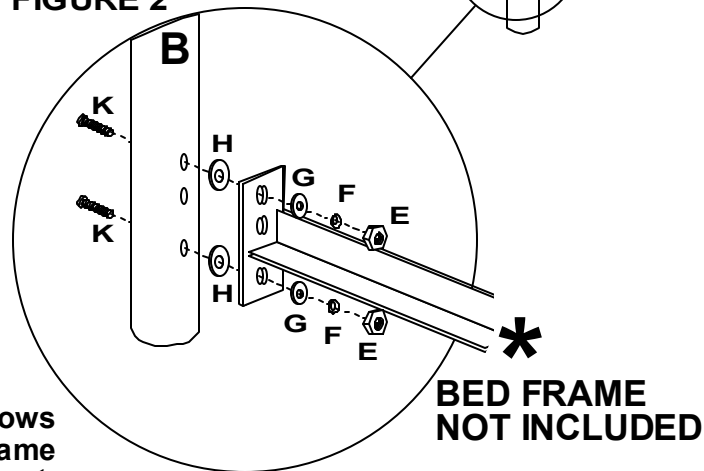


Figure Shows Bed Frame Attachment.

ONLINE PARTS REQUEST FORM: www.hillsdalehouse.com/parts_request.html

CARE & MAINTENANCE The touch of a soft cloth is all the maintenance the finish of your new Headboard will ever need. Never use harsh or abrasive cleaners for polishing. Periodic checks are recommended to make sure that all bolts, screws and nuts are securely tightened.