



# LELAND HEADBOARD

Model #237-49/237-00 Full/Queen

CUSTOMER SERVICE  
PHONE NUMBER  
(502) 562-0000  
DATE: 11-08-01

Examine all packaging material for small parts that may have come loose during shipment. Periodical checks are recommended to insure that all components are in proper position, tight and free from damage. Keep this assembly instruction for future reference.

## HARDWARE LIST

- A (4) Long Allen Bolts
- B (4) Short Allen Bolts
- C (4) Hex Bolts
- D (8) Rubber Washers
- E (4) Metal Washers
- F (4) Spring Washers
- G (4) Hex Nuts
- H (4) Large Metal Washers
- I (4) Large Spring Washers
- J (4) Large Hex Nuts
- K (8) Wood Plugs
- L (1) Allen Wrench
- M (2) Metal Plates

## PARTS LIST

- N (1) Headboard Grill
- O (2) Headboard Posts

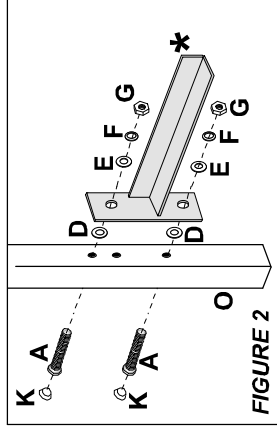
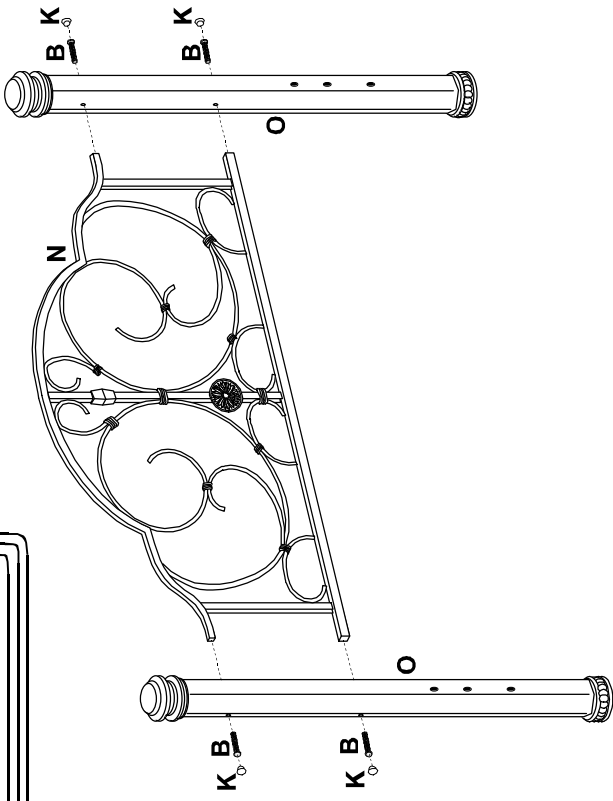
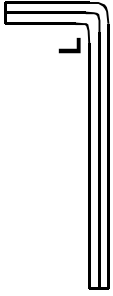
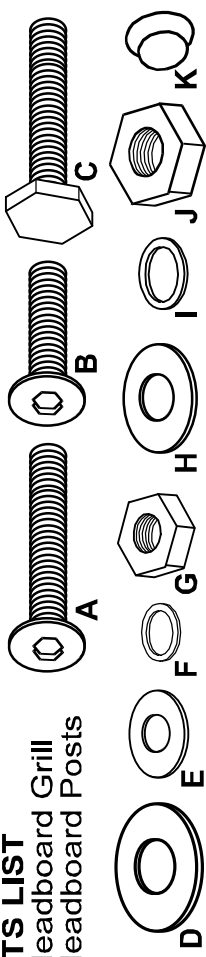


FIGURE 2

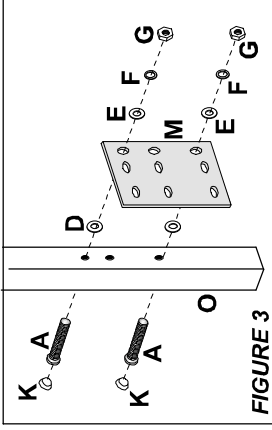


FIGURE 3

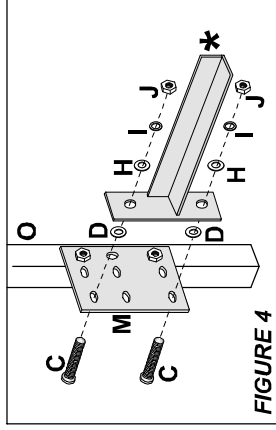


FIGURE 4

### STEP 1

Fasten the Posts (O) to Headboard Grill (N) using 2 Short Allen Bolts (B) per Post. Insert Wood Plugs (K) to cover Bolt Heads. See Figure 1.

### STEP 2 For Queen Size Only

Attach Bed Frame (\*Not Included) to Headboard Posts (O) using 2 Long Allen Bolts (A), 2 Rubber Washers (D), 2 Metal Washers (E), 2 Spring Washers (F) and 2 Hex Nuts (G) per each post. Tighten All Bolts and Nuts. Insert Wood Plugs (K) to cover Bolt Heads. See Figure 2.

### STEP 3 For Full Size Only

Attach Adapter Plates (M) to each Headboard Post (O) using 2 Long Allen Bolts (A), 2 Rubber Washers (D), 2 Metal Washers (E), 2 Spring Washers (F) and 2 Hex Nuts (G) per each plate. Tighten All Bolts and Nuts. Insert Wood Plugs (K) to cover Bolt Heads. See Figure 3.

### STEP 4 For Full Size Only

Attach Bed Frame (\*Not Included) to Adapter Plates (M) using 2 Hex Bolts (C), 2 Rubber Washers (D), 2 Large Metal Washers (H), 2 Large Spring Washers (I) and 2 Large Hex Nuts (J) per each plate. Tighten

**\* Bed Frame Not Included. Bed Frame Only Shown In Figures 2 & 4.**

**CARE & MAINTENANCE:** The touch of a soft cloth is all the maintenance the finish of your new headboard will ever need. Never use harsh or abrasive cleaners for polishing. Periodic checks are recommended to make sure that all bolts, screws and nuts are securely tightened.