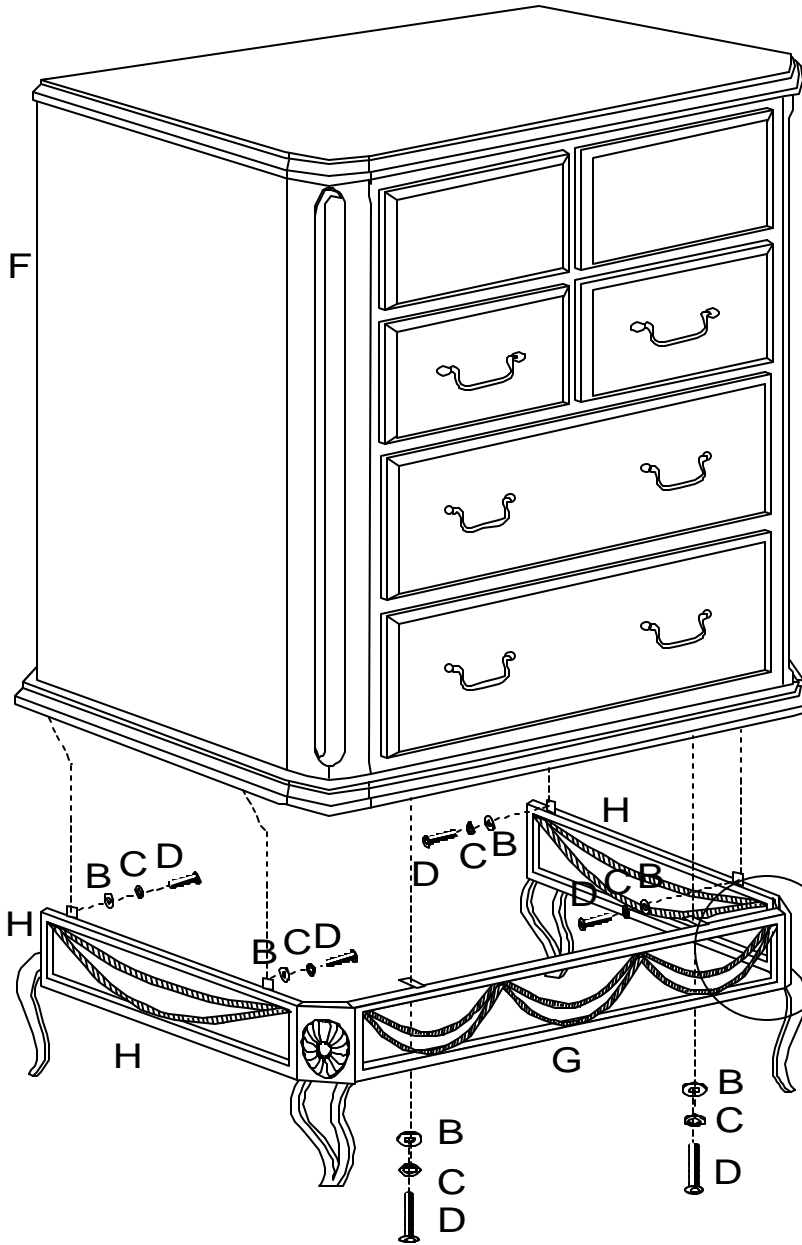




# Camelot Chest

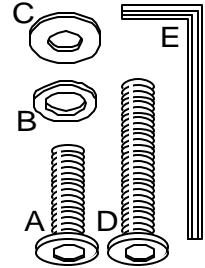
Model #790-5525 (171-784)

CUSTOMER SERVICE  
 PHONE NUMBER:  
 502-562-0000  
 DATE: 01-04-02



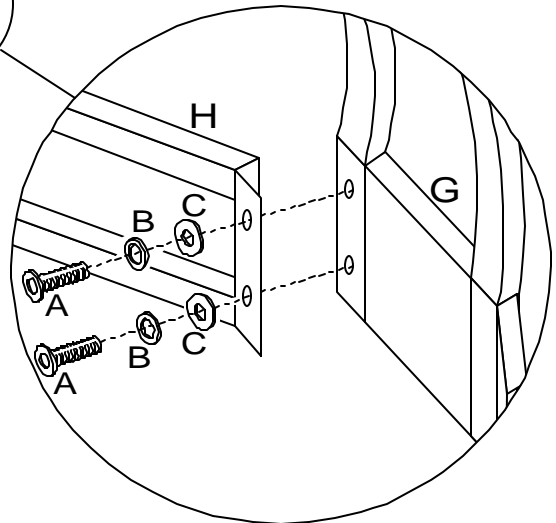
## PARTS & HARDWARE LIST

- A (4) Short Allen Bolts
- B (10) Spring Washers
- C (10) Metal Washers
- D (6) Long Allen Bolts
- E (1) Allen Wrench
- F (1) Chest
- G (1) Front Section
- H (2) Side Sections



## \*\*\* ASSEMBLY \*\*\*

1. Carefully unpack parts.
2. Assemble Front Section (G) to each Side Section (H) using 2 Short Allen Bolts (A), 2 Spring Washers (B) & 2 Metal Washers (C) per each side. This creates the bottom rack.
3. Attach Bottom Rack (G & H) to Chest (F), using 6 Long Allen Bolts (D), 6 Spring Washers (B) & 6 Metal Washer (C) to assemble.



**UNLESS OTHERWISE STATED, PLEASE DO NOT TIGHTEN BOLTS (AND/OR) SCREWS UNTIL UNIT IS COMPLETELY ASSEMBLED.** Examine all packaging material for small parts that may have come loose during shipment. Periodic checks are recommended to insure that all components are in proper position, tight and free from damage. Keep this assembly instruction for future reference. Adult assembly required.

**CARE & MAINTENANCE:** The touch of a soft cloth is all the maintenance the finish of your new Chest will ever need. Never use harsh or abrasive cleaners for polishing. Periodic checks are recommended to make sure that all bolts, screws and nuts are securely tightened.