

# CORBIN NIGHTSTAND

Model #1180-772 White Finish

Model #1580-772 Cherry Finish

Model #1199-772 Pine Finish

Date: 06-30-05

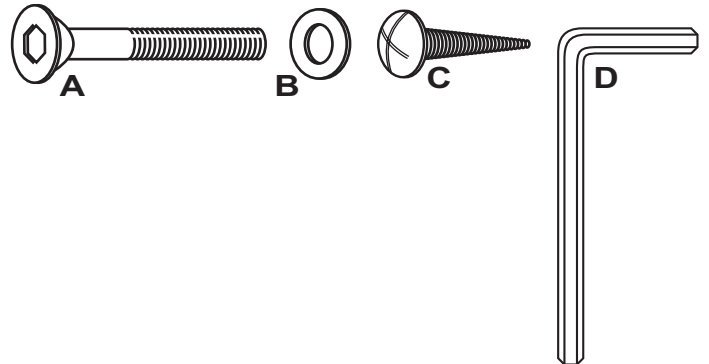
Examine all packaging material for small parts that may have come loose during shipment. Periodic checks are recommended to insure that all components are in proper position, tight and free from damage. Keep this assembly instruction for future reference. Adult assembly required. Online Parts Request: [parts.request@hillsdalefurniture.com](mailto:parts.request@hillsdalefurniture.com) - Customer Service Phone Number: 502-562-0000

## HARDWARE LIST

- A (8) Allen Bolts
- B (8) Metal Washers
- C (4) Wood Screws
- D (1) Allen Wrench

## PARTS LIST

- E (1) Nightstand Base
- F (4) Legs
- G (1) Wood Shelf
- H (1) Drawer



### STEP 1

Begin assembly by placing Nightstand Base (E) upside down on a clean smooth surface.

### STEP 2

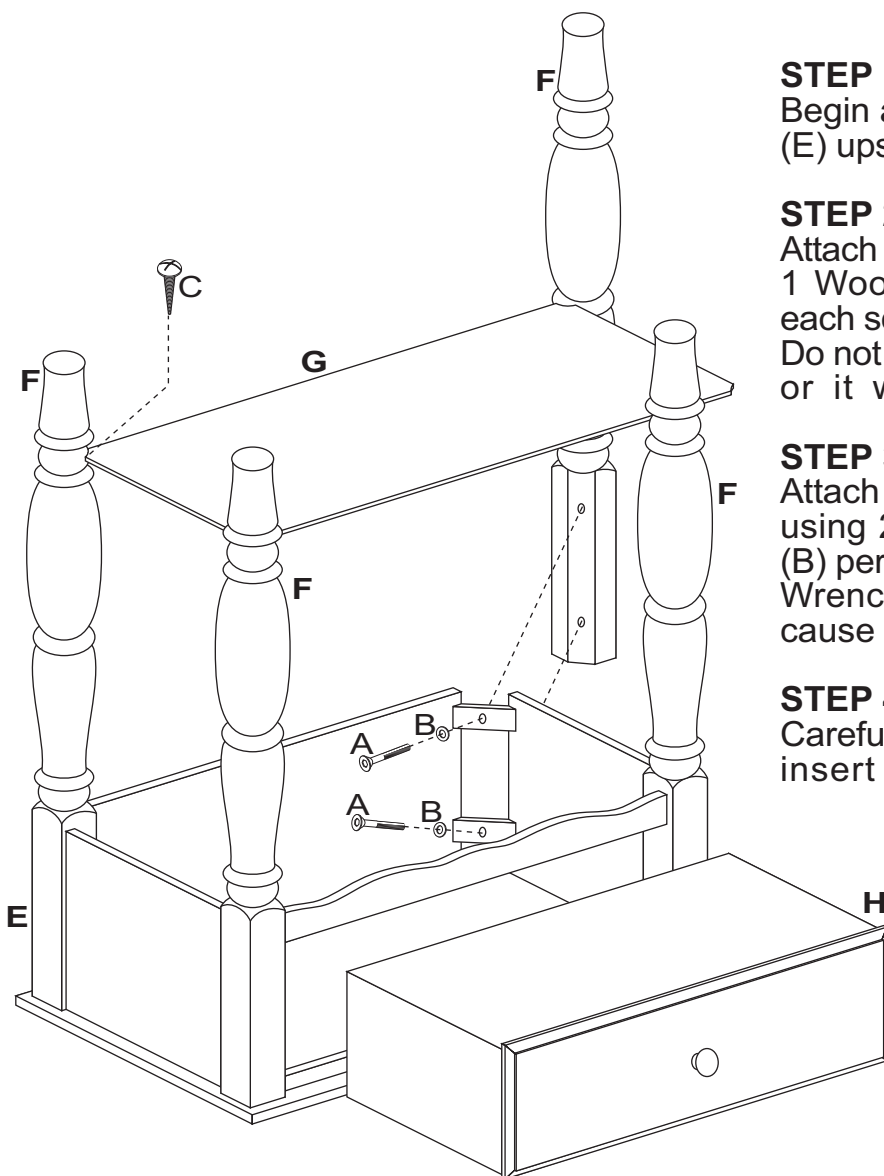
Attach Wood Shelf (G) to each Leg (F), using 1 Wood Screw (C) per each leg. Tighten each screw using a phillips head screwdriver. Do not use a power tool of any kind to tighten or it will cause stripping of the wood.

### STEP 3

Attach each Leg (F) to Nightstand Base (E), using 2 Allen Bolts (A) & 2 Metal Washers (B) per each leg. Tighten all bolts using Allen Wrench (D) only, because other tools may cause stripping of the wood.

### STEP 4

Carefully, place Nightstand right side up and insert Drawer (H) into proper position.



**CARE & MAINTENANCE:** The touch of a soft cloth is all the maintenance the finish will ever need. Please do not use harsh or abrasive cleaners for polishing, as they may cause damage to the finish. Periodic checks are recommended to make sure that all bolts, screws and nuts are securely tightened.