

CORBIN MIRROR

Model #1180-722 White Finish

Model #1580-722 Cherry Finish

Model #1199-722 Pine Finish

Date: 06-30-05

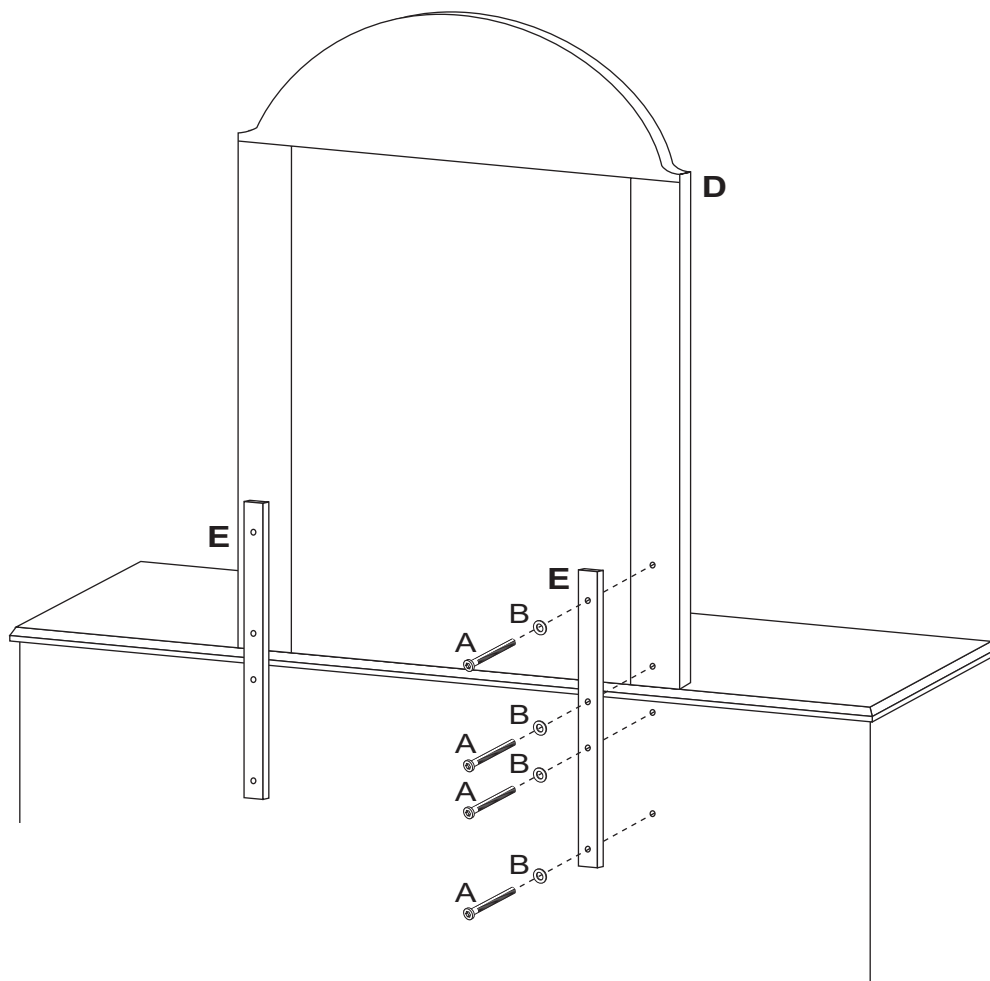
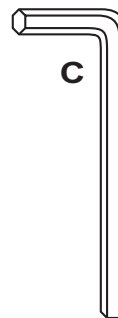
Examine all packaging material for small parts that may have come loose during shipment. Periodic checks are recommended to insure that all components are in proper position, tight and free from damage. Keep this assembly instruction for future reference. Adult assembly required. Online Parts Request: parts.request@hillsdalefurniture.com - Customer Service Phone Number: 502-562-0000

HARDWARE LIST

- A (8) Allen Bolts
- B (8) Flat Washers
- C (1) Allen Wrench

PARTS LIST

- D (1) Mirror
- E (2) Wood Braces



STEP 1

Begin assembly by attaching each Wood Brace (E) to the backside of the Mirror (D) using 2 Allen Bolts (A) & 2 Flat Washers (B) to hold in place. Only tighten bolts using the Allen Wrench (C) that has been provided.

STEP 2

Center Mirror onto the top of your Dresser (Sold Separately) and attach Wood Braces (E) to the backside using 2 Allen Bolts (A) & 2 Flat Washers (B) to hold in place. Only tighten bolts using the Allen Wrench (C) that has been provided. The assembly is now complete.

CARE & MAINTENANCE: The touch of a soft cloth is all the maintenance the finish will ever need. Please do not use harsh or abrasive cleaners for polishing, as they may cause damage to the finish. Periodic checks are recommended to make sure that all bolts, screws and nuts are securely tightened.