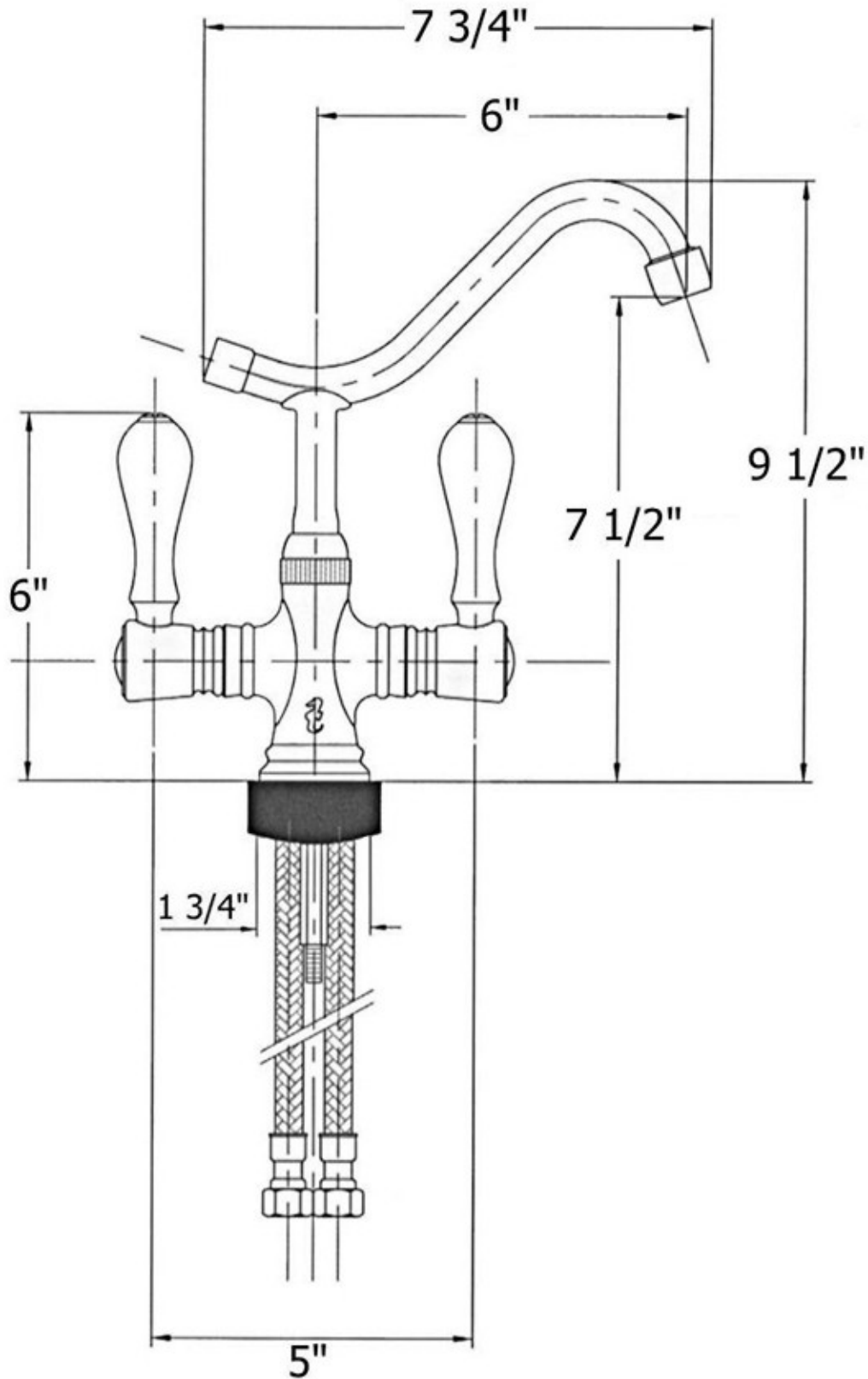


4203 - 'Namur' Single Hole Mixer



Hole Drilling = $1 \frac{1}{4}$ "