

Electronic Toaster

Grille-Pain

Tostadora Eléctrica



User Manual
TST850DS / FTST1400DS

Guide de l'Utilisateur
TST850DS / FTST1400DS

Manual del Usuario Modelo
TST850DS / FTST1400DS

Haier

Quality · Innovation · Style

IMPORTANT SAFEGUARDS

When using electrical appliances, basic safety precautions should always be followed, including the following:

1. **Read all instructions carefully.**
2. Do not touch hot surfaces. Metal parts can become hot. Use handles or knobs.
3. To protect against electrical shock, do not immerse cord, plug, or housing of this toaster in water or other liquids.
4. Close supervision is necessary when any appliance is used by or near children.
5. A fire may occur if toasters are covered or touching flammable materials, including curtains, draperies, walls and the like, when in operation.
6. Oversized foods, metal foil packages, or metal utensils must not be inserted in a toaster, as they may create a risk of fire or electric shock.
7. Do not let cord hang over edge of table or counter or touch hot surfaces.
8. Do not operate any appliance with a damaged cord or plug or after the appliance malfunctions or has been damaged in any manner. Return the appliance to the nearest authorized service facility for examination, repair, or adjustment.
9. Clean out accumulated crumbs frequently to avoid risk of fire or toaster malfunction.
10. Do not attempt to dislodge food when toaster is plugged in.
11. Unplug from outlet when not in use and before cleaning. Allow to cool before putting on or taking off parts, and before cleaning.
12. Always attach plug to appliance first, then plug cord into wall outlet. To disconnect, turn the control to "OFF" or press the "Cancel" button and then remove plug from wall outlet. Always hold the plug, but never pull the cord.
13. Do not use outdoors.

14. Never leave the appliance unattended while in use.
15. Do not place on or near a hot gas or electric burner, or in a heated oven or in a microwave oven.
16. The use of accessory attachments not recommended by the appliance manufacturer may cause hazard or injuries.
17. Do not use this appliance for other than intended use.

SAVE THESE INSTRUCTIONS HOUSEHOLD USE ONLY

WARNING:

This appliance has a polarized plug (one blade is wider than the other). To reduce the risk of electric shock, this plug is intended to fit into a polarized outlet only one way. If the plug does not fully fit into the outlet, reverse the plug. If it still does not fit, contact a qualified electrician. Do not attempt to modify the plug in any way. Do not attempt to modify the plug in any way to defeat this safety feature

A short power-supply cord is provided to reduce the risk resulting from becoming entangled or tripping over a long cord. An extension cord may be used if care is exercised in its use. If an extension cord is used:

1. The marked electrical rating of the extension cord should be at least as great as the electrical rating of the appliance, and
2. An extension cord must be arranged so that it will not drape over the countertop or tabletop where it can be pulled on by children or tripped over accidentally.

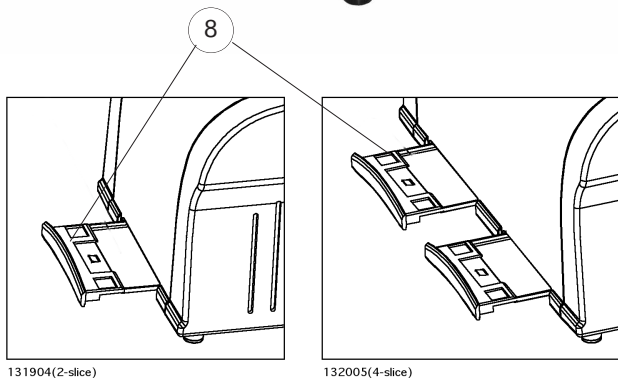
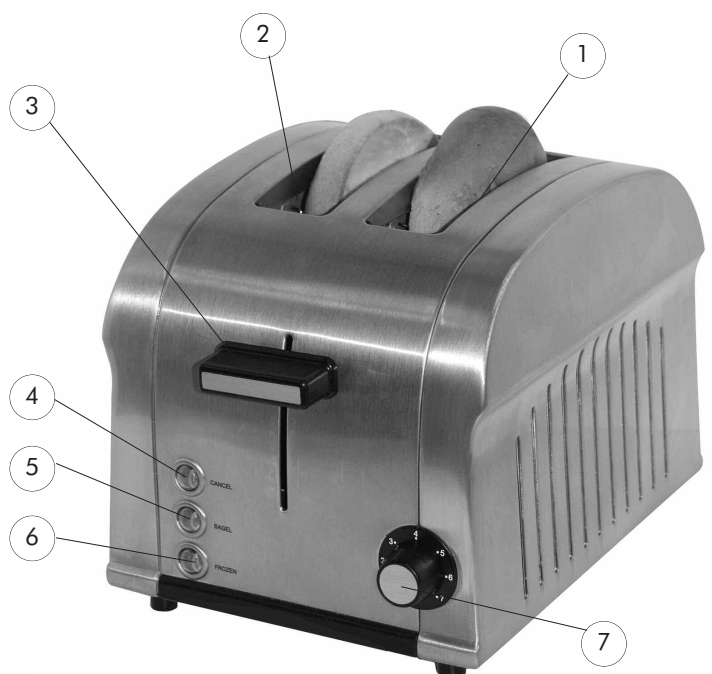
Staple your receipt to your manual.

You will need it to obtain warranty service.

Table Of Contents

	PAGE
Important Safeguards	1
Parts and Features	4
Control Panel	5
Operation	6
Care and Cleaning	7
Crumb Tray	7
Exterior	7
Limited Warranty	8

Parts And Features



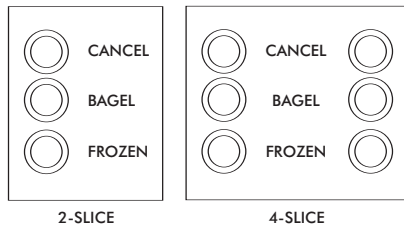
131904(2-slice)

132005(4-slice)

1. Self-Adjusting Bread Guides
2. Extra-Wide Slots
3. Bread Carriage Lever
4. Cancel Button

5. Bagel Button
6. Frozen Button
7. Toast Shade Selector
8. Slide-Out Crumb Tray

Control Panel



Before using for the first time

When using your toaster for the first time, please be sure to do the following:

1. Read all instructions in this manual carefully. It will help you to use your toaster to its fullest.
2. Remove any packing material and stickers from the toaster except the rating label on the bottom.
Wipe the outside of the toaster with a damp cloth.
3. Remove crumb tray(s) from the slot(s) and wash in hot, soapy water or in the dishwasher. Dry thoroughly before replacing back.
4. Place the toaster on a flat level, dry surface
5. Before plugging the toaster into wall outlet you may adjust the cord length. If the power cord is too long, wrap the cord around the posts on the base of the unit to desired length.
6. Without placing any food into the slots, press the Bread Carriage Lever to the bottom until it locks to start toasting cycle. The Bread Carriage will not stay down if the toaster is not plugged in. This process burns off any dust or particles that may have accumulated during manufacturing.

NOTE: This process may create an odor or a small amount of smoke. This is normal.

7. This appliance should be the only appliance operating on the circuit.

Operation

1. Plug the power cord into a 120V AC outlet. The unit may emit an odor or smoke during the first few uses from oils used in manufacturing. This is normal for a new appliance.
2. Adjust the Toast Shade Selector to the desired setting. Turn the Toast Shade Selector to the left for LIGHT toast (#1) or to the right for DARK toast (#7). For first use, set Toast Shade Selector to the middle (#4) and adjust as desired for future toasting. For 4-slice models: Be sure to adjust each Toast Shade Selector since you may toast 2 different types of foods at the same time and may want different toast colors.
3. Place bread slices or other item to be toasted in the slots and press down the Bread Carriage Lever until it locks – starts toasting cycle. The self-adjusting Bread Guides will automatically adjust to hold the food in place.
4. If the food to be toasted is frozen, press the Frozen Button after you have pressed down the Bread Carriage Lever. The light next to the Frozen Button will come on when the Frozen Button is pressed, and will remain on until toasting cycle is completed or until the Cancel Button is pushed.
5. When toasting is done, the Bread Carriage Lever will automatically pop up and toast can be removed from toaster.
6. The bagel setting will toast bagels and English muffins crisp on the inside and soft and warm on the outside. This setting also works well for frosted toaster pastries. To use, press down the Bread Carriage Lever until it locks, then press the Bagel Button. Place the bagel or English muffin in the toaster with the cut side facing toward the inside of the toaster. For frosted toaster pastries, place with the non-frosted side facing toward the inside of the toaster. The light next to the Bagel Button will come on when the Bagel Button is pressed, and will remain on until toasting cycle is completed, or the Cancel Button is pushed.
7. The frozen setting will reheat without browning. To use, press the Bread Carriage Lever down until it locks in the down position, then press the Frozen Button. The light next to the Frozen Button will come on until food is warm or until the Cancel Button is pressed.

8. If food becomes lodged in the toaster, the built-in Auto Power-off function will automatically shut off the power at the end of the cycle.
- IMPORTANT:** Unplug the cord and move the Bread Carriage Lever up and down a few times to raise the “jammed” food. Never use metal utensils to free the food.
9. To interrupt toasting at any time, press the Cancel Button.

Care and Cleaning

- **DO NOT IMMERSE THE TOASTER IN WATER OR OTHER LIQUID.**
- Always unplug the cord from wall outlet and allow the toaster to cool before cleaning and after use.

Crumb Tray

- The Slide-Out Crumb Tray is located at the bottom the Toaster. For ease in cleaning, grasp the Crumb Tray Handle and pull all the way out completely. Brush crumbs from the Tray and, if necessary, wipe with a clean, damp cloth. Always dry the Tray thoroughly before replacing. When replacing the Tray, be sure to push firmly so that it is fully inserted in the bottom of the Toaster.

NOTE: The 4-Slice models have 2 crumb trays.

Exterior

- Wipe surfaces with a slightly dampened soft cloth or sponge and dry with a cloth or paper towel. Do not use strong or abrasive cleaners, as that may scratch the surface, and never spray cleaners directly onto the toaster.

NOTE: If the power supply cord is damaged, it must be replaced by the manufacturer or its authorized service center in order to avoid a hazard.

Limited Warranty

Full One Year

This warranty covers all defects in workmanship or materials for a period of 12 months from the date of purchase, provided you are able to present a valid proof-of-purchase (the original receipt)

Exceptions: Commercial or Rental Use Warranty is 90 days from date of original purchase.

This warranty covers appliances within the Continental United States, Puerto Rico and Canada.

What is not covered by this warranty:

Damage from other than normal use or improper installation.

Damage from misuse, abuse, accident, alteration, lack of proper care and maintenance.

Failure caused by build-up of food matter or water deposits.

Product, whose rating label has been removed or altered.

Product serviced by other than authorized service center.

Replacement or repair of household fuses, circuit breakers or wiring.

Labor, shipping charges and replacement of defective parts beyond the initial 12-month period.

Do not return this product to the store.

If you need assistance with this product, please contact "Haier Customer Satisfaction Service at 1-877-337-3639 between 9:00 AM and 5:00 PM (EST) Monday to Friday.

Before calling, please have the following information available:

Model number of your appliance. The name and address of the store you purchased the unit from and the date of purchase. A clear description of the problem.

Haier will repair or replace any part free of charge including labor that fails due to a defect in materials or workmanship, or replace with a comparable model.

THIS LIMITED WARRANTY IS GIVEN IN LIEU OF ALL OTHER WARRANTIES, EXPRESSED OR, INCLUDING THE WARRANTIES OF MERCHANTABILITY AND FITNESS FOR A PARTICULAR PURPOSE.

The remedy provided in this warranty is exclusive and is granted in lieu of all other remedies.

This warranty does not cover incidental or consequential damages, so the abovelimitations may not apply to you. Some states do not allow limitations on how long an implied warranty lasts, so the above limitations may not apply to you.

This warranty gives you specific legal rights, and you may have other rights, which vary, from state to state.

Haier America
New York, NY 10018

IMPORTANT

Do Not Return This Product To The Store

If you have a problem with this product, please contact the "Haier Customer Satisfaction Center" at 1-877-337-3639.

DATED PROOF OF PURCHASE REQUIRED FOR WARRANTY SERVICE

IMPORTANT

Ne pas Réexpédier ce Produit au Magasin

Pour tout problème concernant ce produit, veuillez contacter le service des consommateurs 'Haier Customer Satisfaction Center' au 1-877-337-3639.
UNE PREUVE D'ACHAT DATEE EST REQUISE POUR BENEFICIER DE LA GARANTIE.

IMPORTANTE

No regrese este producto a la tienda

Si tiene algún problema con este producto, por favor contacte el "Centro de Servicio al Consumidor de Haier" al 1-877-337-3639 (Válido solo en E.U.A).

NECESITA UNA PRUEBA DE COMPRA FECHADA PARA EL SERVICIO DE LA GARANTIA

115V, 60 Hz

Made in China
Fabriqué en Chine
Hecho en China

Haier

Haier America
New York, NY 10018