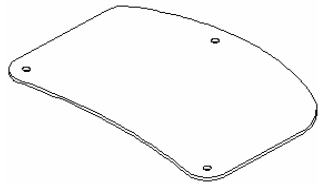
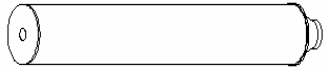








# Assembly Instructions

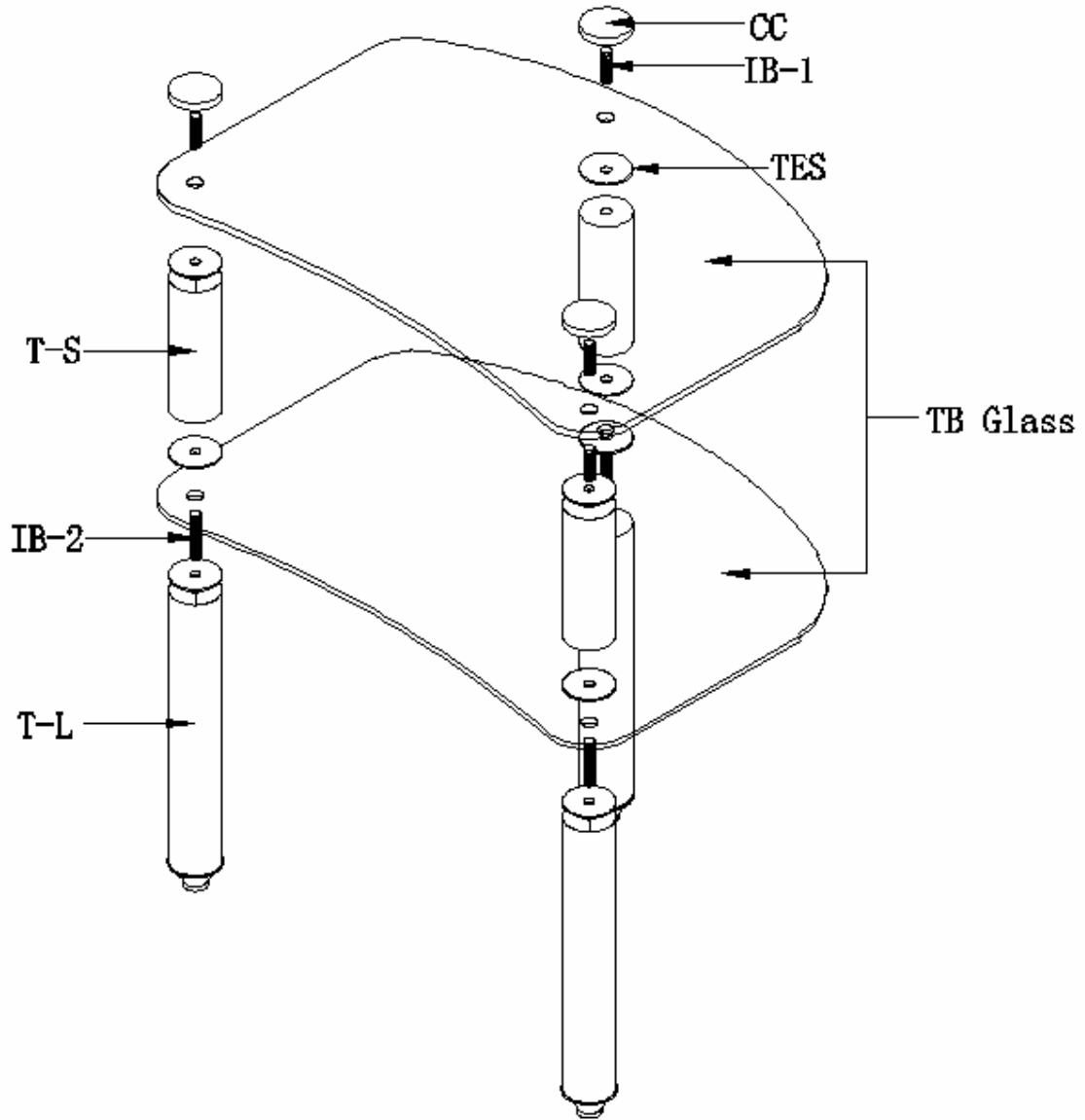
*Model TV-001*

Components List

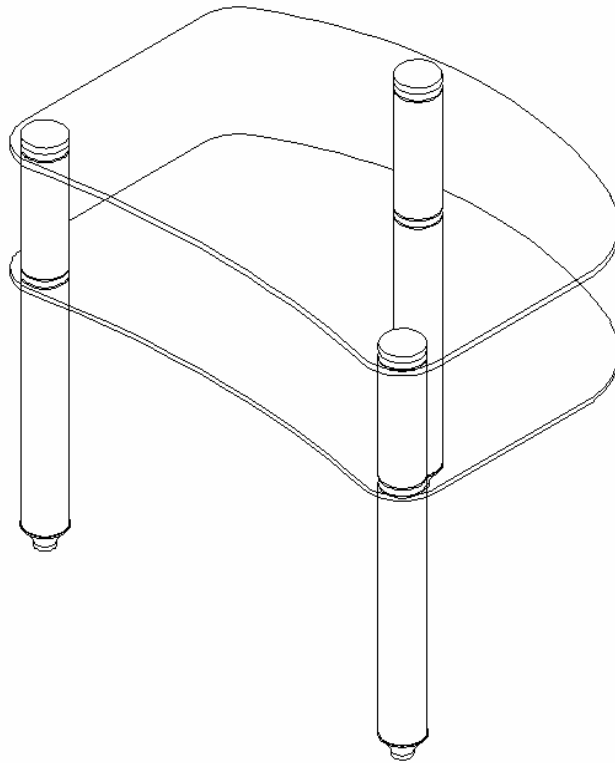
Part Name	Part Details			Qty
	Description	Specification	Figure	
TB Glass	Glass for top or bottom shelves	Size:600*430mm Thickness:8mm		2
T-L	Long tube with black foot (For bottom shelf)	Length:335mm Diameter:50mm		3
T-S	Short tube (For top shelf)	Length:148 mm Diameter:50mm		3
CC	Chrome Cap ( D50*8 )	Diameter:50mm Thickness:8mm		3
I B-1	I bolt (M10*35)	Length:35mm Diameter:10mm		3
I B-2	I bolt (M10*50)	Length:50mm Diameter:10mm		3
T E S	Tube send seal	Diameter:50mm Thickness:2mm		9
TOOL	5# Tool (screw I bolt)			1

# Assembly Instructions

Model TV-001



Model TV-001



## Stage 1

*Please note stand is best assembled from the bottom up.*

- 1.1 Screw in I bolts (IB-2) to the top of each long tube (T-L).
- 1.2 Place bottom shelf (TB Glass) in position over each long tube with I bolts passing through holes in each corner of the shelf. Then screw short tubes onto each exposed bolt until tight.

## Stage 2

- 2.1 Screw in I bolts (IB-1) to the top of each short tube (T-S).
- 2.2 Place top shelf (TB Glass) over I bolts resting on short tubes.
- 2.3 Secure top glass with chrome caps.

