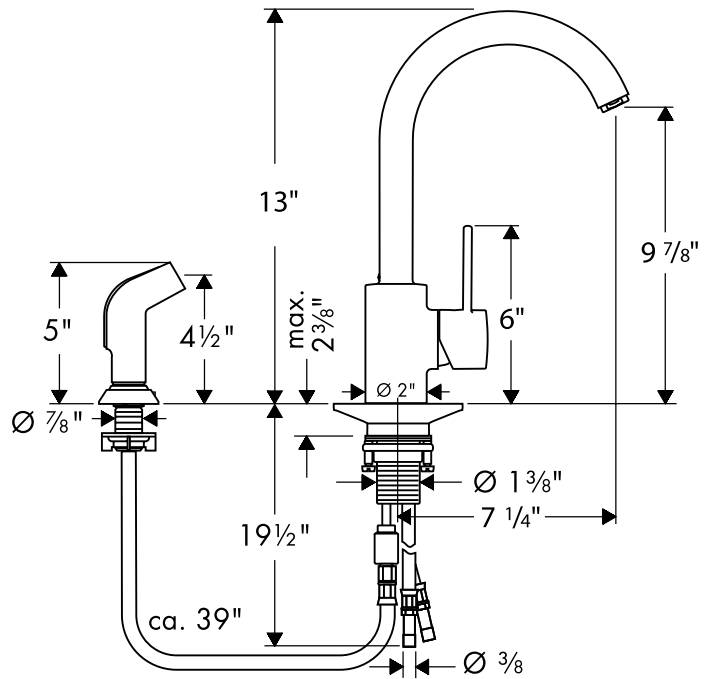
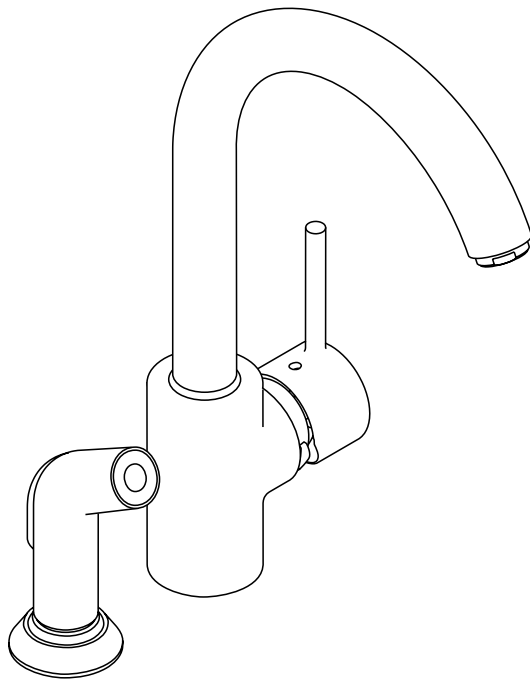


# Axor Puro Kitchen Faucet with Sidespray

## 14876XX1

available in chrome (00)



## Product Specification

Recommended operating pressure	45 - 80 psi
Recommended hot water temperature	120° - 140° F*
Flow rate	2.2 gpm
Hole sizes	
Faucet	1 1/2"
Sidespray	1 1/4"
Maximum mounting surface thickness	
faucet	2 3/8"
sidespray	1 1/8"

Ceramic cartridge operation.

\*many municipalities have codes limiting the maximum temperature of the water heater to 120° F or below. Please know and follow all applicable local codes when setting the temperature of the water heater.

**AXOR**<sup>®</sup>