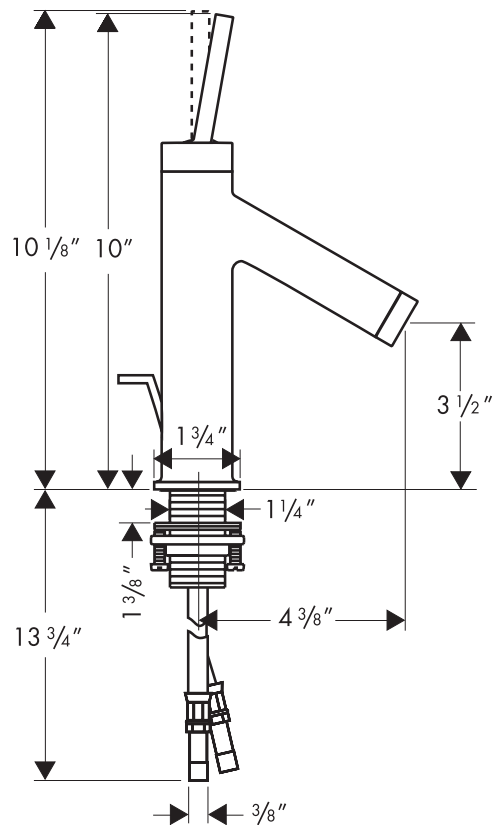
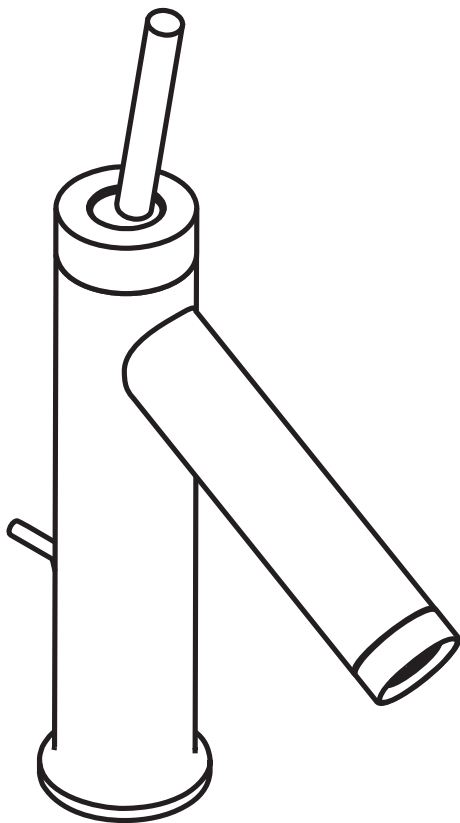


# Starck Single-Control Lavatory Faucet 10111XX1

Available in Chrome (00) and Brushed Nickel (82)



## Product Specification

ADA compliant

Includes pop-up drain

Ceramic cartridge operation

Supply hoses require 3/8" compression fittings (not included)

Maximum water pressure	145 psi
Recommended water pressure	14.5 - 72 psi
Maximum hot water temp.	176°*
Recommended hot water temp	120° - 140°*
Max. flow rate @ 45 psi	2.2 gpm
Max. deck thickness	1 3/8"
Hole size in deck	1 3/8"

\*Many municipalities require that the water heater be set no higher than 120°. Please know and follow all applicable plumbing codes when setting the temperature on the water heater.