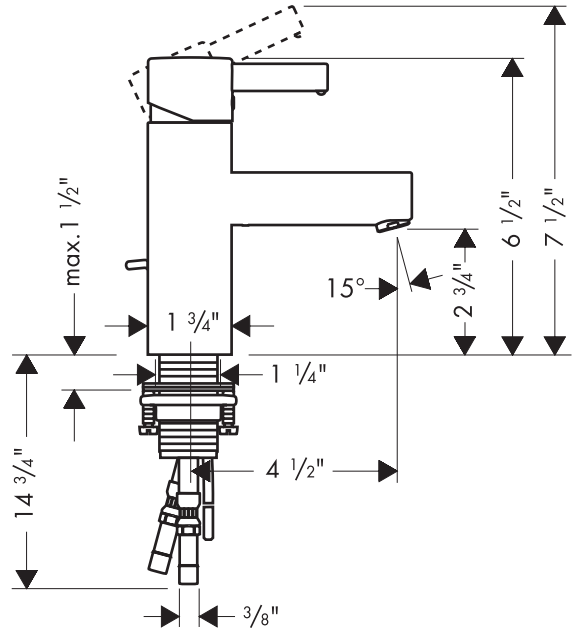
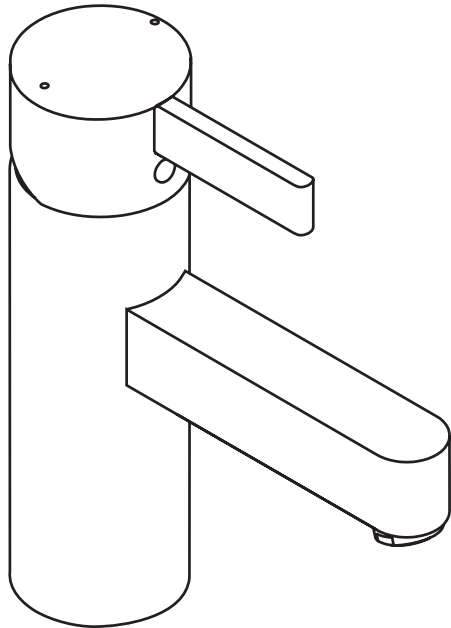


Axor Steel Single-Control Lavatory Faucet

35002801

Available in Steel



Product Specification

Stainless steel

Single hole mounting

M3 ceramic cartridge

Includes pop-up assembly

ADA compliant

3/8" supply hoses - require 3/8" compression fittings (not included)

Recommended incoming water pressure 22 - 72 PSI

Recommended incoming hot water temperature 120° - 140°F*

Maximum mounting surface thickness 1 1/2"

Flow rate 2.2 gpm max.

*some municipalities have codes limiting the maximum temperature of the water heater to 120°F or less. Please know and follow all applicable local codes when setting the temperature on the water heater.