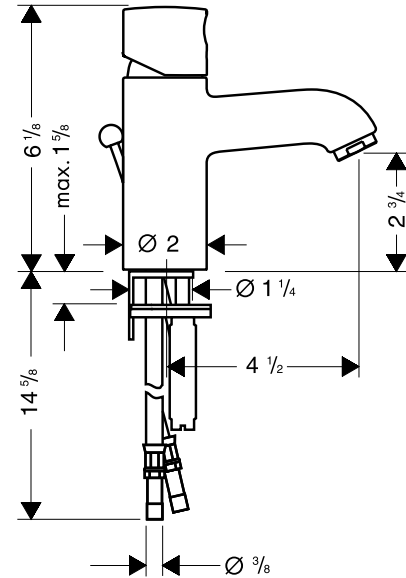
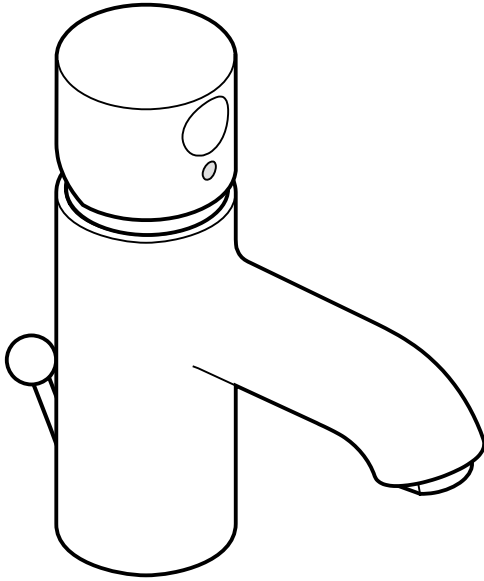


Uno™ Lavatory Mixer with Zero Handle 38000XX1

Available in chrome (00) and satinox (81)



Product Specification

Maximum operating pressure	147 PSI
Recommended operating pressure	14.7 - 72.5 PSI
Recommended incoming hot water temperature	120° - 140° F*
Hole size in mounting surface	1 3/8"
Maximum mounting surface depth	1 5/8"
Flow Rate	2.2 GPM
M3 Cartridge with high temperature limit stop	
3/8" supply hoses – requires 3/8" compression fittings	

*Some governing bodies require that the water heater be set to 120° F or less. Please know and follow all applicable local codes when setting the temperature on the water heater.

AXOR[®]