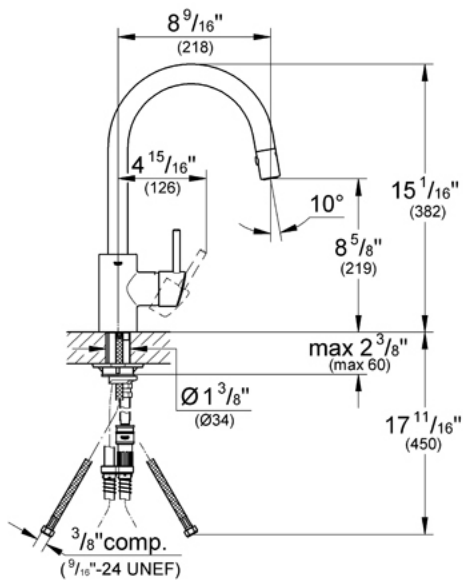


## 32 665 Dual Spray Pull Down



### Description

Solid Brass Body  
GROHE SilkMove® Ceramic Cartridge  
SpeedClean® Anti-Lime System  
Locking Push Button Control -- to switch from regular flow to spray  
Stainless Steel Braided Flexible Supplies  
Quick Installation System  
Single Lever Handle  
Variable Handle Positioning  
8 9/16" Spout Reach



### Flow Rate

2.2 gpm at 60 psi, 2.5 gpm at 80 psi  
(9.5 lpm)

### Code Compliance

ASME/ANSI A112.18.1M  
ASSE Standard 1016  
ANSI/NSF Standard 61  
CSA Standard B125.1-05  
ADA Compliant

### Finish Options

32 665 000 Starlight® Chrome