

*Complement  
your purchase  
with these  
fine accessories  
also from  
GINGER®:*

*Lights  
Mirrors  
Bud Vases  
Towel Bars  
Towel Rings  
Toilet Tissue Holders  
Hooks  
Soap Dishes  
Tumbler Holders  
Toiletry Shelves  
Shower Curtain Rods  
Soap & Bottle Baskets  
Hotel Shelves  
Grab Bars  
Cabinet Hardware*



460-N Greenway Industrial Drive  
Fort Mill, SC 29708

[www.gingerco.com](http://www.gingerco.com)

# HOTELIER

## INSTALLATION INSTRUCTIONS

for  
**553 & 553D  
Baskets**

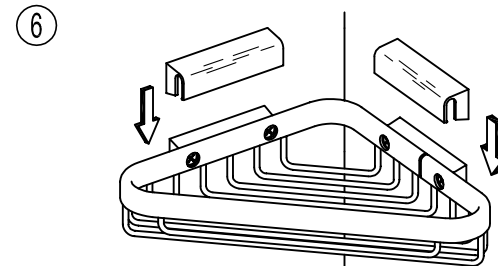
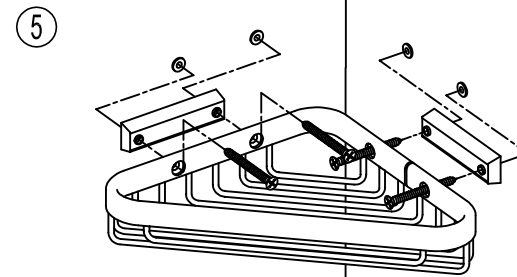
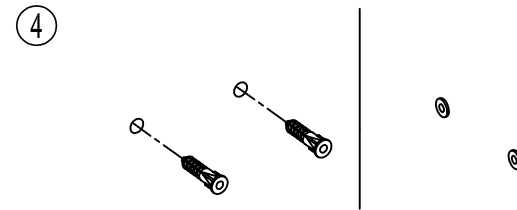
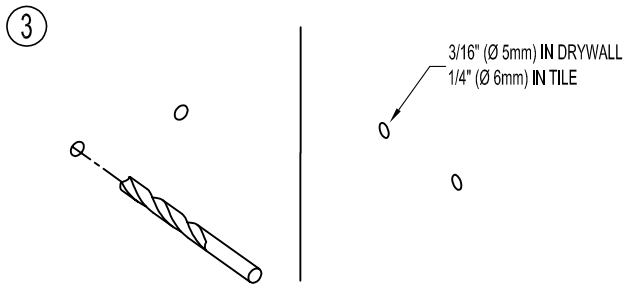
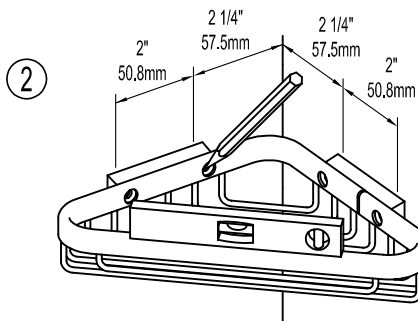
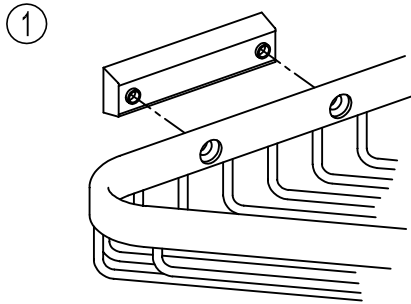




# INSTALLATION INSTRUCTIONS

For Hotelier 553 and 553D Baskets

TO PREVENT LOSS OF SMALL PARTS, COVER DRAIN BEFORE BEGINNING.



## CARE OF FINE BRASS

The finish is protected with a clear, durable, baked-on enamel. To clean, use warm soapy water, and dry with a soft cloth. Occasional paste waxing is also recommended. NEVER use brass polish, abrasives or abrasive wax.