

*Complement
your purchase
with these
fine accessories
also from
GINGER®:*

*Towel Bars
Towel Rings
Toilet Tissue Holders
Hooks
Soap Dishes
Tumbler Holders
Toiletry Shelves
Grab Bars
Mirrors
Lights
Bud Vases
Hotel Shelves
Shower Curtain Rods
Soap & Bottle Baskets
Cabinet Hardware*



460-N Greenway Industrial Drive
Fort Mill, SC 29708

www.gingerco.com

LIGHT

WITH NIGHT LIGHT FEATURE

INSTALLATION INSTRUCTIONS

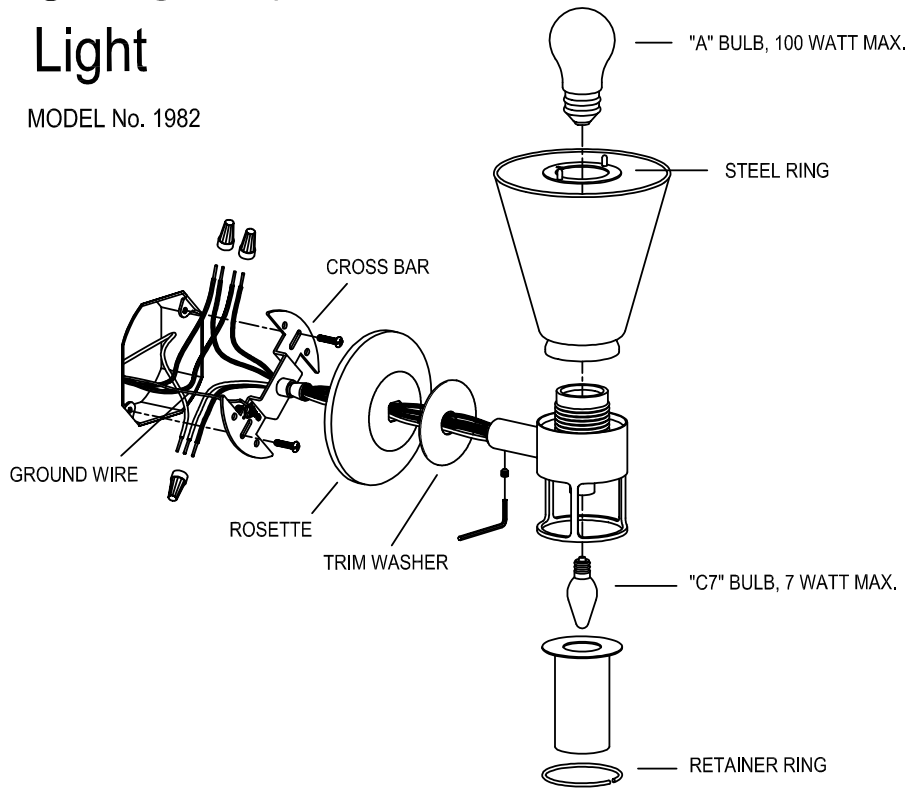
for
SYNCHRO
LIGHT





SYNCHRO Light

MODEL No. 1982



INSTALLATION:

1. Provide the required wiring to the wall-mounted electrical box. The electrical box should be flush in the wall.
2. Mount crossbar to the electrical box. The crossbar should be flat against the wall with the spindle facing away from the wall.
3. Connect house ground wire to the crossbar with the attached ground screw.
4. Feed the light fixture wires first through the trim washer and rosette, then through the center hole of the crossbar.
5. Connect the white wire and the ribbed brown of the fixture to the house neutral wire with a wirenut.
6. **A: FOR SINGLE SWITCH:**
Connect the black wire and the smooth brown wire of the fixture to the house hot wire with a wirenut.
B: FOR DOUBLE SWITCH:
Connect the black wire of the fixture to the house hot wire for the main light, then connect the smooth brown wire of the fixture to the house hot wire for the night light.
7. Slide the fixture over the spindle of the crossbar until it is flush against the wall. Position the fixture with the porcelain socket on top. Secure the fixture by tightening the set screw on the bottom side of the post with the provided wrench. Make sure the wires are not pinched during this process.
8. Position glass shade over porcelain socket and secure with steel ring. Install bulb.
9. Install night light bulb.
10. Push nightlight shade up into bottom of lamp body. Spring clips should snap in place to hold shade.
11. Push retainer ring up into bottom of lamp body until it contacts the nightlight shade base plate. Tilt nightlight shade side ways to remove for bulb change.

INSTALLATION INSTRUCTIONS:

THESE LIGHTS SHOULD BE INSTALLED BY A LICENSED CONTRACTOR

POWER REQUIREMENTS: 120 VOLTS, 60 CYCLES

WIRING REQUIREMENTS: THIS DEVICE CAN BE OPERATED WITH EITHER SINGLE OR DOUBLE SWITCHES. THE DOUBLE SWITCH WOULD BE USED TO ENABLE OPERATION OF THE LIGHT AND BOTTOM LIGHT SEPARATELY.

SAFETY: TO PREVENT ELECTRICAL SHOCK, BE SURE THAT THE POWER IS OFF BEFORE STARTING INSTALLATION.