



CHILLERATOR® GARAGE REFRIGERATOR USER INSTRUCTIONS

THANK YOU for purchasing this high-quality product. If you should experience a problem not covered in TROUBLESHOOTING, please visit our website at www.gladiatorgw.com for additional information. If you still need assistance, call us at 1-866-342-4089. In Canada, visit our website at www.gladiatorgarageworks.ca or call us at 1-800-807-6777.

You will need your model and serial number located on the right-hand side of the refrigerator interior.

Para obtener acceso a “Instrucciones para el usuario del refrigerador” en español, o para obtener información adicional de su producto, visite: www.gladiatorgw.com

Tenga listo su número de modelo completo. Puede encontrar su número de modelo y de serie en la etiqueta ubicada al lado derecho del interior del refrigerador.

Table of Contents / Table des matières

REFRIGERATOR SAFETY.....	1	SÉCURITÉ DU RÉFRIGÉRATEUR	11
INSTALLATION INSTRUCTIONS.....	2	INSTRUCTIONS D'INSTALLATION	12
REFRIGERATOR USE.....	8	UTILISATION DU RÉFRIGÉRATEUR.....	17
REFRIGERATOR CARE.....	8	ENTRETIEN DU RÉFRIGÉRATEUR	18
TROUBLESHOOTING.....	9	DÉPANNAGE	19
WARRANTY.....	10	GARANTIE.....	20

REFRIGERATOR SAFETY

Your safety and the safety of others are very important.

We have provided many important safety messages in this manual and on your appliance. Always read and obey all safety messages.



This is the safety alert symbol.

This symbol alerts you to potential hazards that can kill or hurt you and others.

All safety messages will follow the safety alert symbol and either the word “DANGER” or “WARNING.”

These words mean:

⚠ DANGER

You can be killed or seriously injured if you don't immediately follow instructions.

⚠ WARNING

You can be killed or seriously injured if you don't follow instructions.

All safety messages will tell you what the potential hazard is, tell you how to reduce the chance of injury, and tell you what can happen if the instructions are not followed.

IMPORTANT SAFETY INSTRUCTIONS

WARNING: To reduce the risk of fire, electric shock, or injury when using your refrigerator, follow these basic precautions:

- Plug into a grounded 3 prong outlet.
- Do not remove ground prong.
- Do not use an adapter.
- Do not use an extension cord.
- Disconnect power before servicing.
- Replace all parts and panels before operating.
- Remove doors from your old refrigerator.
- Use nonflammable cleaner.
- Keep flammable materials and vapors, such as gasoline, away from refrigerator.
- Use two or more people to move and install refrigerator.

SAVE THESE INSTRUCTIONS

Proper Disposal of Your Old Refrigerator

! WARNING

Suffocation Hazard

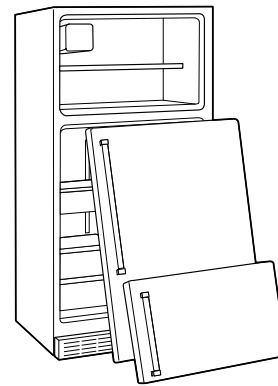
Remove doors from your old refrigerator.

Failure to do so can result in death or brain damage.

IMPORTANT: Child entrapment and suffocation are not problems of the past. Junked or abandoned refrigerators are still dangerous – even if they will sit for “just a few days.” If you are getting rid of your old refrigerator, please follow these instructions to help prevent accidents.

Before You Throw Away Your Old Refrigerator or Freezer:

- Take off the doors.
- Leave the shelves in place so that children may not easily climb inside.



INSTALLATION INSTRUCTIONS

Unpack the Refrigerator

! WARNING

Excessive Weight Hazard

Use two or more people to move and install refrigerator.

Failure to do so can result in back or other injury.

When Moving Your refrigerator:

Your refrigerator is heavy. When moving the refrigerator for cleaning or service, be sure to protect the floor. Always pull the refrigerator straight out when moving it. Do not wiggle or “walk” the refrigerator when trying to move it, as floor damage could occur.

NOTE: If casters are installed, unlock the casters before trying to move your refrigerator.

Remove the Packaging

- Remove tape and glue residue from surfaces before turning on the refrigerator. Rub a small amount of liquid dish soap over the adhesive with your fingers. Wipe with warm water and dry.
- Do not use sharp instruments, rubbing alcohol, flammable fluids, or abrasive cleaners to remove tape or glue. These products can damage the surface of your refrigerator. For more information, see “Refrigerator Safety.”

IMPORTANT: Do not remove the white foam air return insert from behind the control panel on the ceiling of the refrigerator. If the insert is removed, ice may migrate down from the freezer and cause icicles to form.

Clean Before Using

After you remove all of the package materials, clean the inside of your refrigerator before using it. See the cleaning instructions in “Refrigerator Care.”

Important information to know about glass shelves and covers:

Do not clean glass shelves or covers with warm water when they are cold. Shelves and covers may break if exposed to sudden temperature changes or impact, such as bumping. For your protection, tempered glass is designed to shatter into many small, pebble-size pieces. This is normal. Glass shelves and covers are heavy. Use special care when removing them to avoid impact from dropping.

Location Requirements

⚠ WARNING



Explosion Hazard

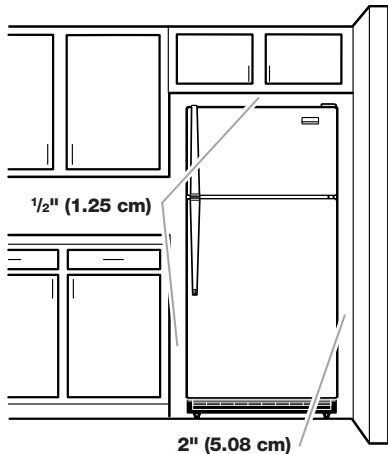
Keep flammable materials and vapors, such as gasoline, away from refrigerator.

Failure to do so can result in death, explosion, or fire.

To ensure proper ventilation for your refrigerator, allow for ½" (1.25 cm) space on each side and at the top. When installing your refrigerator next to a fixed wall, leave 2" (5.08 cm) minimum on the hinge side (some models require more) to allow for the door to swing open.

IMPORTANT:

- Do not install the refrigerator near an oven, radiator, or other heat source where the temperature will rise above 115°F (43°C), nor in a location where the temperature will fall below 0°F (-17°C).
- The warmer the outside temperature, the longer it will take the refrigerator to cool to the set point temperature when food is added.



Electrical Requirements

⚠ WARNING



Electrical Shock Hazard

Plug into a grounded 3 prong outlet.

Do not remove ground prong.

Do not use an adapter.

Do not use an extension cord.

Failure to follow these instructions can result in death, fire, or electrical shock.

Before you move your refrigerator into its final location, it is important to make sure you have the proper electrical connection.

Recommended Grounding Method

A 115 Volt, 60 Hz., AC only, 15- or 20-amp fused, grounded electrical supply is required. It is recommended that a separate circuit serving only your refrigerator be provided. Use an outlet that cannot be turned off by a switch. Do not use an extension cord.

NOTE: Before performing any type of installation, cleaning, or removing a light bulb, turn the control (Thermostat, Refrigerator or Freezer Control depending on the model) to OFF and then disconnect the refrigerator from the electrical source. When you are finished, reconnect the refrigerator to the electrical source and reset the control (Thermostat, Refrigerator or Freezer Control depending on the model) to the desired setting. See "Using the Controls."

Refrigerator Doors

TOOLS NEEDED: 5/16" hex-head socket wrench, #2 Phillips screwdriver, flat-blade screwdriver, 5/16" open-end wrench, flat 2" putty knife.

IMPORTANT:

- All graphics referenced in the following instructions are included later in this section after "Final Steps." The graphics shown are for a right-hand swing door (hinges factory installed on the right).
- If you only want to remove and replace the doors, see the "Remove Doors and Hinges" and "Replace Doors and Hinges."
- Before you begin, turn the control OFF, and remove food and adjustable door or utility bins from doors.

Remove Doors and Hinges



5/16" Hex-Head Hinge Screw

1. Unplug refrigerator or disconnect power.
2. Open refrigerator door and remove base grille from the bottom front of the refrigerator. See Base Grille graphic.
3. Close the refrigerator door and keep both doors closed until you are ready to lift them free from the cabinet.
NOTE: Provide additional support for the doors while the hinges are being moved. Do not depend on the door magnets to hold the doors in place while you are working.
4. Remove the parts for the top hinge as shown in Top Hinge graphic. Lift the freezer door free from the cabinet.
5. Remove the parts for the center hinge as shown in the Center Hinge graphic. Lift the refrigerator door free from the cabinet.
6. Remove the parts for the bottom hinge as shown in the Bottom Hinge graphic.

Reverse Doors (optional)

IMPORTANT: If you want to reverse your doors so that they open in the opposite direction, continue with "Reverse Doors (optional)" instructions. If you are not reversing the doors, see "Replace Doors and Hinges."

Cabinet

1. Remove the 5/16" hex-head hinge screws from handle side and move them to the opposite side. See Graphic 1.
2. Remove the cabinet hinge hole plugs from the cabinet top and move them to the opposite side hinge holes as shown in Graphic 2.

Doors

1. Remove the door stops from both the freezer and the refrigerator doors and move them to the opposite side. See Graphics 3 and 4.

Replace Doors and Hinges

NOTE: Graphic may be reversed if door swing is reversed.

1. Replace the parts for the bottom hinge as shown and tighten screws. See Bottom Hinge graphic. Replace the refrigerator door.
NOTE: Provide additional support for the doors while the hinges are being moved. Do not depend on the door magnets to hold the doors in place while you are working.
2. Assemble the parts for the center hinge as shown and tighten all screws. See Center Hinge graphic. Replace the freezer door.
3. Assemble the parts of the top hinge as shown in the Top Hinge graphic. Do not tighten the screws completely.
4. Line up the doors so that the bottom of the freezer door aligns evenly with the top of the refrigerator door. Tighten all screws.

Final Steps

1. Check all holes to make sure that hole plugs and screws are in place. Reinstall top hinge cover. See Top Hinge graphic.
2. Replace the base grille. See Base Grille graphic.

⚠ WARNING



Electrical Shock Hazard

Plug into a grounded 3 prong outlet.

Do not remove ground prong.

Do not use an adapter.

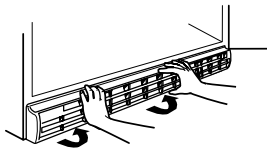
Do not use an extension cord.

Failure to follow these instructions can result in death, fire, or electrical shock.

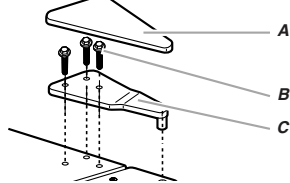
3. Plug into a grounded 3 prong outlet.
4. Reset the controls. See "Using the Controls."
5. Return all removable door parts to doors and food to refrigerator.

Door Removal & Replacement

Base Grille

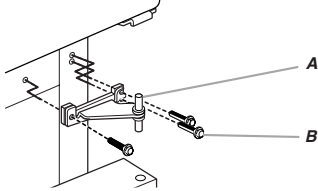


Top Hinge



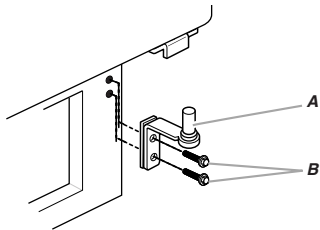
- A. Top Hinge Cover
- B. $\frac{5}{16}$ " Hex-Head Hinge Screws
- C. Top Hinge

Center Hinge



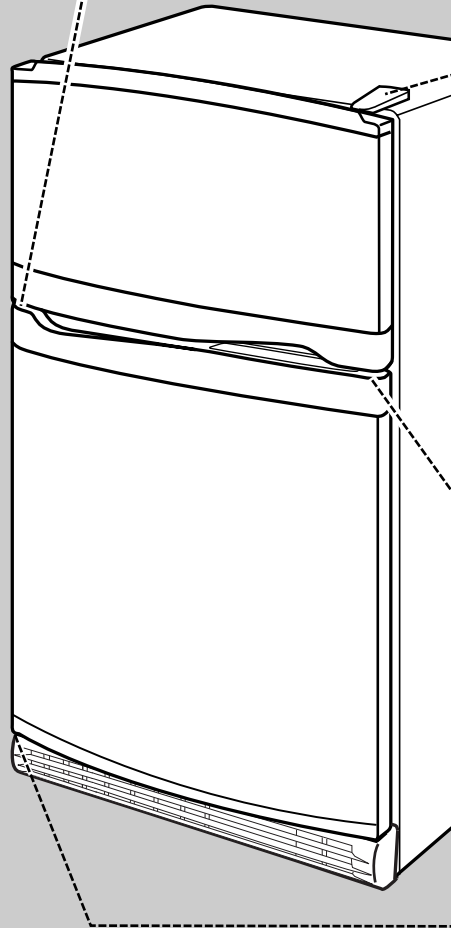
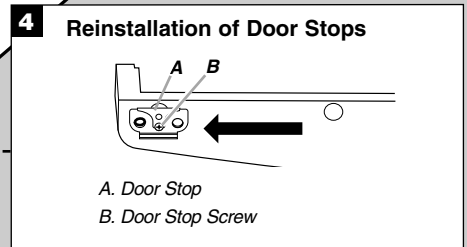
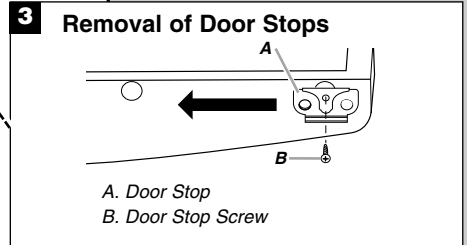
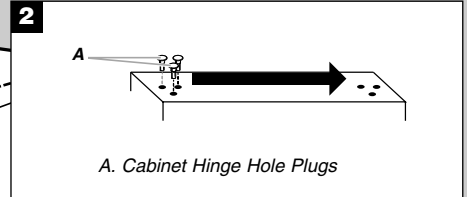
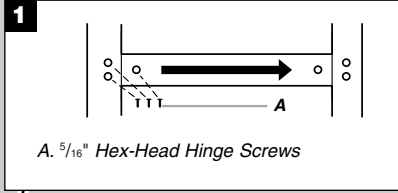
- A. Center Hinge
- B. $\frac{5}{16}$ " Hex-Head Hinge Screws

Bottom Hinge



- A. Bottom Hinge
- B. $\frac{5}{16}$ " Hex-Head Hinge Screws

Door Swing Reversal (optional)



Adjust the Doors

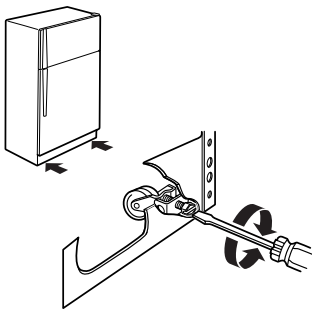
NOTE: If you have the casters installed on your refrigerator, the leveling screws will not work. Shims can be placed under the casters to level a refrigerator that has casters installed.

Door Closing

Your refrigerator has two front adjustable rollers – one on the right and one on the left. If your refrigerator seems unsteady or you want the doors to close easier, adjust the refrigerator's tilt using the instructions below:

1. Remove the base grille. See Base Grille graphic. The two leveling screws are part of the front roller assemblies which are at the base of the refrigerator on either side.
2. Use a screwdriver to adjust the leveling screws. Turn the leveling screw to the right to raise that side of the refrigerator or turn the leveling screw to the left to lower that side. It may take several turns of the leveling screws to adjust the tilt of the refrigerator.

NOTE: Having someone push against the top of the refrigerator takes some weight off the leveling screws and rollers. This makes it easier to adjust the screws.



3. Open both doors again and check to make sure that they close as easily as you like. If not, tilt the refrigerator slightly more to the rear by turning both leveling screws to the right. It may take several more turns, and you should turn both leveling screws the same amount.
4. Replace the base grille.

Door Alignment

If the space between your doors looks uneven, you can adjust it using the instructions below:

1. Pry off the top hinge cover.
2. Loosen the top hinge screws using a $\frac{5}{16}$ " socket or wrench.
3. Have someone hold the door in place or put a spacer between the doors while you tighten the top hinge screws.
4. Replace the top hinge cover.

Caster Installation

! WARNING

Excessive Weight Hazard

Use two or more people to move and install refrigerator.

Failure to do so can result in back or other injury.

Gather the required tools and parts before starting installation.

TOOLS NEEDED:

- $\frac{1}{2}$ " Socket wrench or nut driver
- $\frac{3}{8}$ " Socket wrench or nut driver
- $\frac{1}{2}$ " Wrench

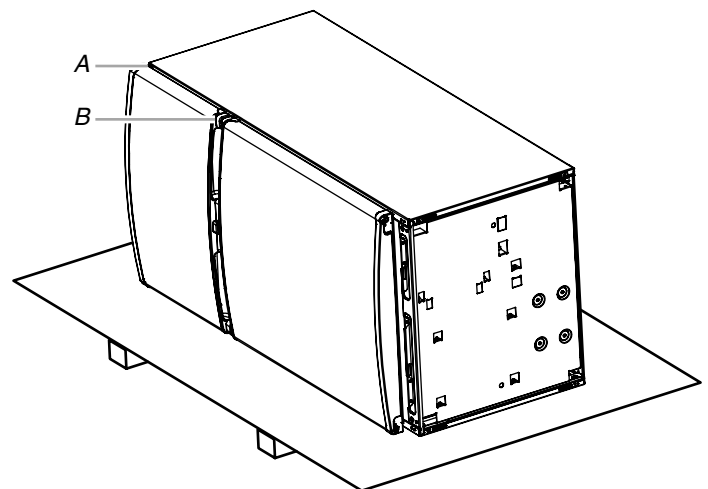
PARTS SUPPLIED:

- Rigid Casters (2)
- Swivel Casters (2)
- $\frac{5}{16}$ –18 Self-locking hex-nuts (16)
- $\frac{5}{16}$ –18 x $\frac{7}{8}$ " Hex-head bolts (16)
- $\frac{1}{4}$ –20 x $1\frac{1}{4}$ " Self-tapping hex-head bolts (4)
- $\frac{1}{4}$ –20 x $1\frac{1}{4}$ " lock washers (4)
- Caster brackets (located in FeaturePak) (2)
- Plastic skids (shipped with the refrigerator)

1. Before you begin, turn the refrigerator control OFF.
2. Unplug refrigerator or disconnect power.
3. Remove food and any adjustable shelves and bins from refrigerator.
4. Open the lower compartment door and remove the base grille. Remove the grille by grasping the grille with both hands, lifting up and pulling bottom of the grille toward you.
5. Place the plastic skids (shipped with the refrigerator) on the floor at least 3 ft (91.44 cm) apart. Lay a piece of cardboard or other protective material over the skids. This will elevate the refrigerator to allow for easier caster installation and also protect it from scratches.

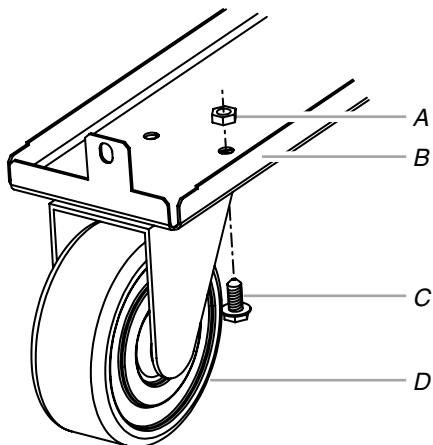
NOTE: If the skids have been discarded or are not available, 2" x 4" boards may be used.

6. Place the refrigerator on its side on top of the cardboard or protective material. Make sure the door hinge is facing upward. **IMPORTANT:** It is important that the door hinge face upward during the entire caster installation.



A. Top hinge
B. Center hinge

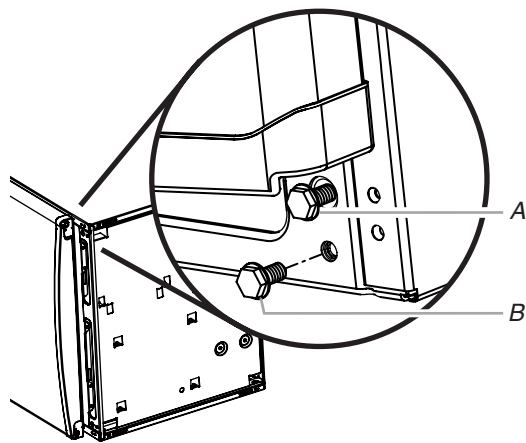
7. Remove the casters and fasteners from the box.
8. Locate and remove the caster brackets from the FeaturePak.
9. Using $\frac{5}{16}$ — $18 \times \frac{7}{8}$ " hex-head bolts, attach one rigid caster and one swivel caster to each caster bracket. The rigid caster fits the front of the bracket and the swivel caster fits on the rear.
10. Insert the hex-head bolts from the bottom and start the self-locking nuts for each caster.



A. Self-locking nut C. $\frac{5}{16}$ — $18 \times \frac{7}{8}$ " Hex-head bolt
 B. Caster bracket D. Caster

11. Hold the head of the hex-head bolts with a wrench while tightening the self-locking nuts with a socket wrench.
 12. Using a $\frac{1}{2}$ " socket wrench, remove the four unit bolts (two on each side) from the lower front and rear of the refrigerator.
- NOTE:** Do not remove leveling bolt.

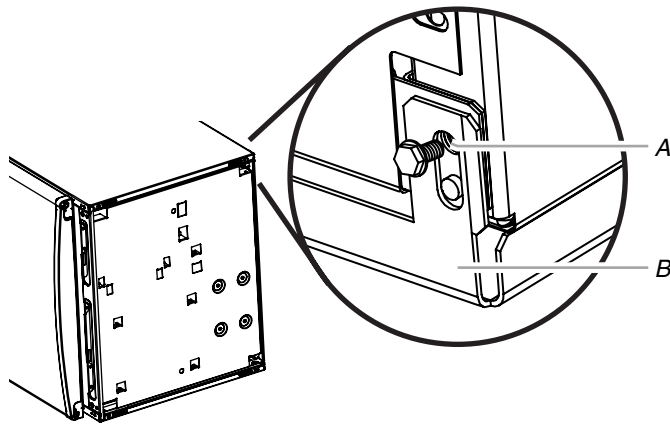
Lower Front Corner



A. Leveling bolt (do not remove)
 B. Refrigerator/freezer unit bolt

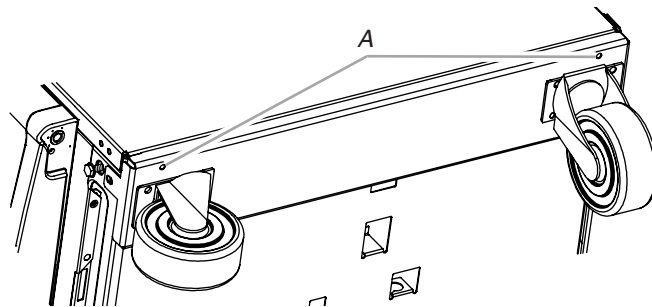
13. Place the slot in the rear of the caster bracket over the unit hole in the rear of the refrigerator. Align the hole in the front of the caster bracket with the unit hole in the front of the refrigerator.

Lower Rear Corner



A. Refrigerator/freezer rear unit hole
 B. Caster bracket

14. Hold the bracket in place and insert the unit bolts into the front and rear unit holes and tighten.
- NOTE:** Do not overtighten the bolts.
15. Insert two of the $\frac{1}{4}$ — $20 \times 1\frac{1}{4}$ " self-tapping hex-head bolts and lock washers into the two holes in the side of the caster bracket. Push the caster bracket against the bottom of the refrigerator and tighten the bolts using a $\frac{3}{8}$ " socket wrench.

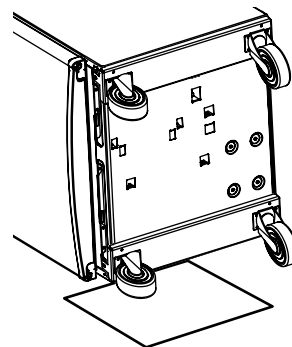


A. Caster bracket holes

16. Repeat steps 12 to 15 for the other caster bracket.

Complete the Installation

1. Lock the front casters.
- NOTE:** Locking the casters will help prevent the refrigerator from moving while it is being lifted.
2. Insert a small piece of cardboard between the caster brake and the floor. This will help prevent the brake from rubbing on the floor.



3. Stand the refrigerator upright.
4. Replace the base grille by placing the metal clips in the openings in the metal panel and rolling the grille downward until it snaps into place.
5. Unlock the casters and move the refrigerator into its final location.
6. Lock the casters.

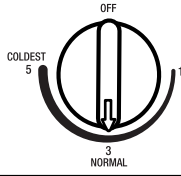
REFRIGERATOR USE

Using the Controls

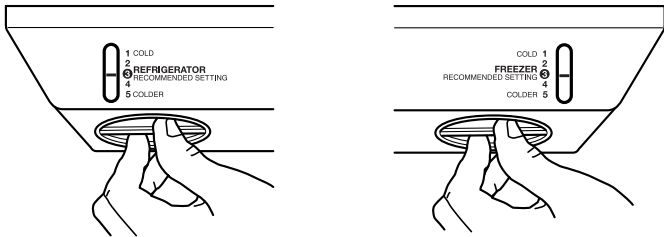
For your convenience, your refrigerator controls are preset at the factory. When you first install your refrigerator, make sure that the controls are still preset to the mid-settings as shown.

NOTE: To turn your refrigerator off, turn the refrigerator control to the word OFF or until the word OFF appears. Your product will not cool when the refrigerator control is set to OFF.

Mid-setting "3"



Mid-setting "3"



IMPORTANT:

- Give your refrigerator time to cool down completely before adding food. It is best to wait 24 hours before you put food into the refrigerator.
- If you add food before the refrigerator has cooled completely, your food may spoil. Adjusting the Refrigerator and Freezer Controls to a higher (colder) than recommended setting will not cool the compartments any faster.

Adjusting Controls

The mid-settings indicated in the previous section should be correct for normal household usage. The controls are set correctly when milk or juice is as cold as you like and when ice cream is firm.

If the temperature is too warm or too cold in the refrigerator or freezer, first check the air vents to be sure they are not blocked.

If you need to adjust temperatures, use the settings listed in the chart below as a guide. On models with two controls, adjust the refrigerator temperature first. Wait at least 24 hours between adjustments and then recheck the temperatures.

CONDITION/REASON:	ADJUSTMENT:
REFRIGERATOR too warm	REFRIGERATOR or TEMPERATURE Control one setting higher
FREEZER too warm	FREEZER or TEMPERATURE Control one setting higher
REFRIGERATOR too cold	REFRIGERATOR or TEMPERATURE Control one setting lower
FREEZER too cold	FREEZER or TEMPERATURE Control one setting lower

REFRIGERATOR CARE

Cleaning

⚠ WARNING



Explosion Hazard

Use nonflammable cleaner.

Failure to do so can result in death, explosion, or fire.

Both the refrigerator and freezer sections defrost automatically. However, clean both sections about once a month to avoid buildup of odors. Wipe up spills immediately.

IMPORTANT: Because air circulates between both sections, any odors formed in one section will transfer to the other. You must thoroughly clean both sections to eliminate odors. To avoid odor transfer and drying out of food, wrap or cover foods tightly.

To Clean Your Refrigerator:

NOTE: Do not use abrasive or harsh cleaners such as window sprays, scouring cleansers, flammable fluids, cleaning waxes, concentrated detergents, bleaches or cleansers containing petroleum products on plastic parts, interior and door liners or gaskets. Do not use paper towels, scouring pads, or other harsh cleaning tools.

1. Unplug refrigerator or disconnect power.
2. Hand wash, rinse, and dry removable parts and interior surfaces thoroughly. Use a clean sponge or soft cloth and a mild detergent in warm water.
3. Wash stainless steel and painted metal exteriors with a clean sponge or soft cloth and a mild detergent in warm water.
4. There is no need for routine condenser cleaning in normal home operating environments. If the environment is particularly greasy or dusty, or there is significant pet traffic in the home, the condenser should be cleaned every 2 to 3 months to ensure maximum efficiency.

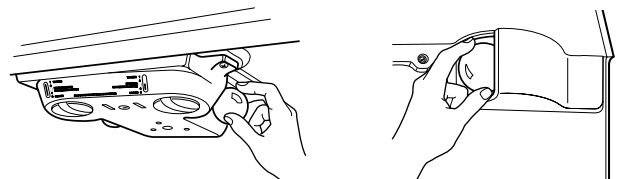
If you need to clean the condenser:

- Remove the base grille.
 - Use a vacuum cleaner with a soft brush to clean the grille, the open areas behind the grille and the front surface area of the condenser.
 - Replace the base grille when finished.
5. Plug in refrigerator or reconnect power.

Changing the Light Bulbs

NOTE: Not all bulbs will fit your refrigerator. Be sure to replace the bulb with an appliance bulb of the same size, shape, and wattage.

1. Unplug refrigerator or disconnect power.
2. Remove the bulb from behind the control panel in the refrigerator or from behind the light shield in the freezer (on some models). Replace it with an appliance bulb of the same wattage.
3. Plug in refrigerator or reconnect power.



TROUBLESHOOTING

First try the solutions suggested here or visit our website and reference FAQs (Frequently Asked Questions) to possibly avoid the cost of a service call.

In the U.S.A., www.GladiatorGW.com In Canada, www.gladiatorgarageworks.ca

Refrigerator Operation

The refrigerator will not operate

⚠ WARNING



Electrical Shock Hazard

Plug into a grounded 3 prong outlet.

Do not remove ground prong.

Do not use an adapter.

Do not use an extension cord.

Failure to follow these instructions can result in death, fire, or electrical shock.

- **Power cord unplugged?** Plug into a grounded 3 prong outlet.
- **Is outlet working?** Plug in a lamp to see if the outlet is working.
- **Household fuse blown or circuit breaker tripped?** Replace the fuse or reset the circuit breaker. If the problem continues, call an electrician.
- **Is control on?** Make sure the refrigerator control is on. See "Using the Control."
- **New installation?** Allow 24 hours following installation for the refrigerator to cool completely.
NOTE: Adjusting the temperature control to coldest setting will not cool the refrigerator more quickly.

The motor seems to run too much

Your new refrigerator may run longer than your old one due to its high-efficiency compressor and fans. The unit may run even longer if the room is warm, a large food load is added, the door is opened often, or if the door has been left open.

The refrigerator seems noisy

Refrigerator noise has been reduced over the years. Due to this reduction, you may hear intermittent noises from your new refrigerator that you did not notice from your old model. Below are listed some normal sounds with explanations.

- **Pulsating** - fans/compressor adjusting to optimize performance.
- **Hissing/Rattling** - flow of refrigerant, movement of water lines, or from items placed on top of the refrigerator.
- **Popping** - contraction/expansion of inside walls, especially during initial cool-down.
- **Water running/dripping** - may be heard when water melts during defrosting and runs into the drain pan.

The door will not close completely

- **Door blocked open?** Move food packages away from door.
- **Bin or shelf in the way?** Push bin or shelf back in the correct position.
- **Crisper cover in the way?** Make sure the crisper cover is fully pushed in, so that the back rests on the supports.

The door is difficult to open

⚠ WARNING



Explosion Hazard

Use nonflammable cleaner.

Failure to do so can result in death, explosion, or fire.

- **Gaskets dirty or sticky?** Clean gaskets and contact surfaces with mild soap and warm water. Rinse and dry with soft cloth.

Temperature and Moisture

Temperature is too warm

- **New installation?** Allow 24 hours following installation for the refrigerator to cool completely.
- **Door opened often or left open?** Allows warm air to enter refrigerator. Minimize door openings and keep door fully closed.
- **Large load of food added?** Allow several hours for refrigerator to return to normal temperature.
- **Control set correctly for the surrounding conditions?** Adjust the control a setting colder. Check temperature in 24 hours. See "Using the Control."

There is interior moisture buildup

NOTE: Some moisture build-up is normal.

- **Humid room?** Contributes to moisture build-up.
- **Door opened often or left open?** Allows humid air to enter refrigerator. Minimize door openings and keep door fully closed.

GLADIATOR® GARAGEWORKS MAJOR APPLIANCE WARRANTY

ONE YEAR LIMITED WARRANTY

For one year from the date of purchase, when this major appliance is operated and maintained according to instructions attached to or furnished with the product, Whirlpool Corporation or Whirlpool Canada LP (hereafter "Gladiator® GarageWorks") will pay for FSP® replacement parts and repair labor to correct defects in materials or workmanship. Service must be provided by a Whirlpool designated service company.

ITEMS GLADIATOR® GARAGEWORKS WILL NOT PAY FOR

1. Service calls to correct the installation of your major appliance, to instruct you how to use your major appliance, to replace or repair house fuses or to correct house wiring or plumbing.
 2. Service calls to repair or replace appliance light bulbs, air filters or water filters. Those consumable parts are excluded from warranty coverage.
 3. Repairs when your major appliance is used for other than normal, single-family household use.
 4. Damage resulting from accident, alteration, misuse, abuse, fire, flood, acts of God, improper installation, installation not in accordance with electrical or plumbing codes, or use of products not approved by Gladiator® GarageWorks.
 5. Any food loss due to refrigerator or freezer product failures.
 6. Replacement parts or repair labor costs for units operated outside the United States or Canada.
 7. Pickup and delivery. This major appliance is designed to be repaired in the home.
 8. Repairs to parts or systems resulting from unauthorized modifications made to the appliance.
 9. Expenses for travel and transportation for product service in remote locations.
 10. The removal and reinstallation of your appliance if it is installed in an inaccessible location or is not installed in accordance with published installation instructions.
 11. Replacement parts or repair labor costs when the major appliance is used in a country other than the country in which it was purchased.
-

DISCLAIMER OF IMPLIED WARRANTIES; LIMITATION OF REMEDIES

CUSTOMER'S SOLE AND EXCLUSIVE REMEDY UNDER THIS LIMITED WARRANTY SHALL BE PRODUCT REPAIR AS PROVIDED HEREIN. IMPLIED WARRANTIES, INCLUDING WARRANTIES OF MERCHANTABILITY OR FITNESS FOR A PARTICULAR PURPOSE, ARE LIMITED TO ONE YEAR OR THE SHORTEST PERIOD ALLOWED BY LAW. WHIRLPOOL SHALL NOT BE LIABLE FOR INCIDENTAL OR CONSEQUENTIAL DAMAGES. SOME STATES AND PROVINCES DO NOT ALLOW THE EXCLUSION OR LIMITATION OF INCIDENTAL OR CONSEQUENTIAL DAMAGES, OR LIMITATIONS ON THE DURATION OF IMPLIED WARRANTIES OF MERCHANTABILITY OR FITNESS, SO THESE EXCLUSIONS OR LIMITATIONS MAY NOT APPLY TO YOU. THIS WARRANTY GIVES YOU SPECIFIC LEGAL RIGHTS AND YOU MAY ALSO HAVE OTHER RIGHTS, WHICH VARY FROM STATE TO STATE OR PROVINCE TO PROVINCE.

Outside the 50 United States and Canada, this warranty does not apply. Contact your authorized Gladiator® GarageWorks dealer to determine if another warranty applies. 5/07

For additional product information, in the U.S.A., visit www.GladiatorGW.com
In Canada, visit www.gladiatorgarageworks.ca

If you do not have access to the Internet and you need assistance using your product or you would like to schedule service, you may contact Whirlpool at the number below.

Have your complete model number ready. You can find your model number and serial number on the label located on the right-hand side of the refrigerator interior.

For assistance or service in the U.S.A., call 1-866-342-4089. In Canada, call 1-800-807-6777.

If you need further assistance, you can write to Gladiator® GarageWorks with any questions or concerns at the address below:

In the U.S.A.:

Gladiator® GarageWorks
Customer eXperience Center
553 Benson Road
Benton Harbor, MI 49022-2692

In Canada:

Whirlpool Brand Home Appliances
Customer Interaction Centre
1901 Minnesota Court
Mississauga, Ontario L5N 3A7

Please include a daytime phone number in your correspondence.

Please keep this User Instructions and model number information for future reference.



INSTRUCTIONS D'UTILISATION DU RÉFRIGÉRATEUR DE GARAGE CHILLERATOR®

Nous vous REMERCIONS d'avoir acheté ce produit de haute qualité. Si vous rencontrez un problème non mentionné dans la section DÉPANNAGE, veuillez visiter notre site www.gladiatorgw.com pour des informations supplémentaires. Si vous avez toujours besoin d'assistance, veuillez nous téléphoner au 1-866-342-4089. Au Canada, visitez notre site www.gladiatorgarageworks.ca ou téléphonez-nous au 1-800-807-6777.

Vous aurez besoin de vos numéros de modèle et de série situés sur le côté droit à l'intérieur du réfrigérateur.

SÉCURITÉ DU RÉFRIGÉRATEUR

Votre sécurité et celle des autres est très importante.

Nous donnons de nombreux messages de sécurité importants dans ce manuel et sur votre appareil ménager. Assurez-vous de toujours lire tous les messages de sécurité et de vous y conformer.



Voici le symbole d'alerte de sécurité.

Ce symbole d'alerte de sécurité vous signale les dangers potentiels de décès et de blessures graves à vous et à d'autres.

Tous les messages de sécurité suivront le symbole d'alerte de sécurité et le mot "DANGER" ou "AVERTISSEMENT". Ces mots signifient :

⚠ DANGER

Risque possible de décès ou de blessure grave si vous ne suivez pas immédiatement les instructions.

⚠ AVERTISSEMENT

Risque possible de décès ou de blessure grave si vous ne suivez pas les instructions.

Tous les messages de sécurité vous diront quel est le danger potentiel et vous disent comment réduire le risque de blessure et ce qui peut se produire en cas de non-respect des instructions.

IMPORTANTES INSTRUCTIONS DE SÉCURITÉ

AVERTISSEMENT : Pour réduire les risques d'incendie, de choc électrique ou des blessures lors de l'utilisation du réfrigérateur, prendre quelques précautions fondamentales, y compris les suivantes :

- Brancher l'appareil sur une prise à 3 alvéoles reliée à la terre.
- Ne pas enlever la broche de liaison à la terre.
- Ne pas utiliser un adaptateur.
- Ne pas utiliser un câble de rallonge.
- Utiliser deux ou plus de personnes pour déplacer et installer le réfrigérateur.
- Débrancher la source de courant électrique avant l'entretien.
- Replacer pièces et panneaux avant de faire la remise en marche.
- Utiliser un produit de nettoyage ininflammable.
- Garder les matériaux et les vapeurs inflammables, telle que l'essence, loin du réfrigérateur.
- Enlever les portes de votre vieux réfrigérateur.

CONSERVEZ CES INSTRUCTIONS

Mise au rebut de votre vieux réfrigérateur

AVERTISSEMENT

Risque de suffoquer

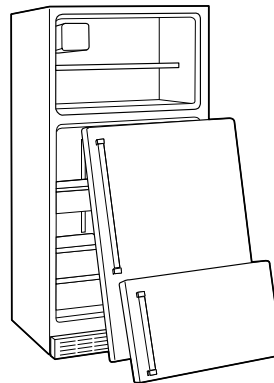
Enlever les portes de votre vieux réfrigérateur.

Le non-respect de cette instruction peut causer un décès ou des lésions cérébrales.

IMPORTANT : L'emprisonnement et l'étouffement des enfants ne sont pas un problème du passé. Les réfrigérateurs jetés ou abandonnés sont encore dangereux, même s'ils sont laissés abandonnés pendant "quelques jours seulement". Si vous vous débarrassez de votre vieux réfrigérateur, veuillez suivre les instructions suivantes pour aider à éviter les accidents.

Avant de jeter votre vieux réfrigérateur ou congélateur :

- Enlever les portes.
- Laisser les tablettes en place de sorte que les enfants ne puissent pas y pénétrer facilement.



INSTRUCTIONS D'INSTALLATION

Déballage du réfrigérateur

AVERTISSEMENT

Risque du poids excessif

Utiliser deux ou plus de personnes pour déplacer et installer le réfrigérateur.

Le non-respect de cette instruction peut causer une blessure au dos ou d'autre blessure.

Déplacement de votre réfrigérateur :

Votre réfrigérateur est lourd. Lors du déplacement du réfrigérateur pour le nettoyage ou le service, veiller à protéger le plancher. Toujours tirer le réfrigérateur tout droit lors du déplacement. Ne pas incliner le réfrigérateur d'un côté ou de l'autre ni le "faire marcher" en essayant de le déplacer car le plancher pourrait être endommagé.

REMARQUE : Si des roulettes sont installées, déverrouiller les roulettes avant d'essayer de déplacer votre réfrigérateur.

Enlèvement des matériaux d'emballage

- Enlever le ruban adhésif et la colle des surfaces du réfrigérateur avant de le brancher. Frotter une petite quantité de savon liquide pour la vaisselle sur l'adhésif avec les doigts. Rincer à l'eau tiède et essuyer.
- Ne pas utiliser d'instruments coupants, d'alcool à friction, de liquides inflammables ou de nettoyants abrasifs pour enlever le ruban adhésif ou la colle. Ces produits peuvent endommager la surface de votre réfrigérateur. Pour plus de renseignements, voir la section "Sécurité du réfrigérateur".

IMPORTANT : Ne pas enlever le dispositif de refoulement de l'air en mousse blanche de derrière le panneau de commande sur le plafond du réfrigérateur. Si le dispositif est enlevé, de la glace peut se former en provenance du congélateur et causer la formation de glaçons.

Nettoyage avant l'utilisation

Après avoir enlevé tous les matériaux d'emballage, nettoyer l'intérieur du réfrigérateur avant de l'utiliser. Voir les instructions de nettoyage dans la section "Entretien du réfrigérateur".

Importants renseignements à savoir au sujet des tablettes et des couvercles en verre :

Ne pas nettoyer les tablettes ou couvercles en verre avec de l'eau tiède quand ils sont froids. Les tablettes et les couvercles peuvent se briser s'ils sont exposés à des changements soudains de température ou à un impact tel que coup brusque. Pour votre protection, le verre trempé est conçu pour éclater en d'innombrables pièces minuscules. Ceci est normal. Les tablettes et les couvercles en verre sont lourds. Un soin spécial s'impose lors de leur déplacement pour éviter l'impact d'une chute.

Exigences d'emplacement

⚠ AVERTISSEMENT



Risque d'explosion

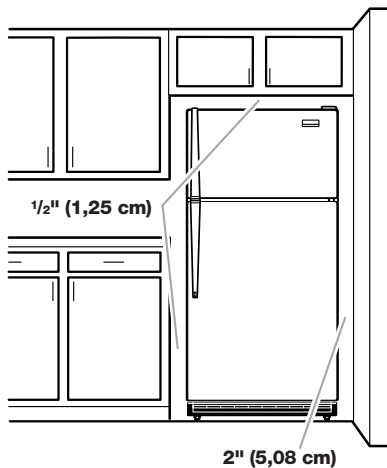
Garder les matériaux et les vapeurs inflammables, telle que l'essence, loin du réfrigérateur.

Le non-respect de cette instruction peut causer un décès, une explosion ou un incendie.

Pour obtenir une aération appropriée pour votre réfrigérateur, laisser un espace de 1/2" (1,25 cm) de chaque côté et au sommet. Si vous installez votre réfrigérateur près d'un mur fixe, laisser un minimum de 2" (5,08 cm) du côté des charnières (certains modèles nécessitent davantage d'espace) pour permettre à la porte de s'ouvrir sans obstruction.

IMPORTANT :

- Ne pas installer le réfrigérateur près d'un four, d'un radiateur ou d'une autre source de chaleur, ni dans un endroit où la température montera au-dessus de 115°F (43°C), ou baissera au-dessous de 0°F (-17°C).
- Plus la température extérieure est élevée, plus il faut de temps au réfrigérateur pour revenir aux points de réglage de la température lors d'ajout d'aliments.



Spécifications électriques

⚠ AVERTISSEMENT



Risque de choc électrique

Brancher sur une prise à 3 alvéoles reliée à la terre.

Ne pas enlever la broche de liaison à la terre.

Ne pas utiliser un adaptateur.

Ne pas utiliser un câble de rallonge.

Le non-respect de ces instructions peut causer un décès, un incendie ou un choc électrique.

Avant de placer le réfrigérateur à son emplacement final, il est important de vous assurer d'avoir la connexion électrique appropriée.

Méthode recommandée de mise à la terre

Une source d'alimentation de 115 volts, 60 Hz, type 15 ou 20 ampères CA seulement, protégée par fusible et adéquatement mise à la terre, est nécessaire. Il est recommandé d'utiliser un circuit distinct pour alimenter uniquement votre réfrigérateur. Utiliser une prise murale qui ne peut pas être mise hors circuit à l'aide d'un commutateur. Ne pas utiliser un câble de rallonge.

REMARQUE : Avant d'exécuter tout type d'installation, nettoyage ou remplacement d'une ampoule d'éclairage, tourner la commande (réglage du thermostat, du réfrigérateur ou du congélateur selon le modèle) à OFF (arrêt) et déconnecter ensuite le réfrigérateur de la source d'alimentation électrique. Lorsque vous avez terminé, reconnecter le réfrigérateur à la source d'alimentation électrique et tourner de nouveau la commande (réglage du thermostat, du réfrigérateur ou du congélateur selon le modèle) au réglage désiré. Voir "Utilisation des commandes".

Portes du réfrigérateur

OUTILLAGE NÉCESSAIRE : Clé à douille à tête hexagonale de 5/16", tournevis Phillips n° 2, tournevis à lame plate, clé plate de 5/16", couteau à mastic de 2".

IMPORTANT :

- Toutes les illustrations mentionnées dans les instructions suivantes sont incluses plus loin dans cette section après "Étapes finales". Les illustrations correspondent à un réfrigérateur avec porte s'ouvrant à droite (charnières installées à droite à l'usine).
- Si on ne fait qu'enlever et réinstaller les portes, voir "Démontage - Portes et charnières" et "Réinstallation - Portes et charnières".
- Avant de commencer, tourner la commande à OFF (arrêt), et retirer les aliments et tout balconnet réglable ou compartiment utilitaire des portes.

Démontage - Portes et charnières



Vis de charnière à tête hexagonale de 5/16"

1. Débrancher le réfrigérateur ou déconnecter la source de courant électrique.
2. Ouvrir la porte du réfrigérateur; enlever la grille de la base en bas à l'avant du réfrigérateur. Voir l'illustration de la grille de la base.
3. Fermer la porte du réfrigérateur; maintenir les deux portes fermées jusqu'au moment où on est prêt à les séparer de la caisse de l'appareil.

REMARQUE : Prévoir un support additionnel des portes pendant la réinstallation des charnières. La force d'attraction des aimants des portes ne suffit pas à les maintenir en place.

4. Enlever les pièces de la charnière supérieure - voir l'illustration de la charnière supérieure. Soulever la porte du compartiment de congélation pour la séparer de la caisse.
5. Enlever les pièces de la charnière centrale - voir l'illustration de la charnière centrale. Soulever la porte du réfrigérateur pour la séparer de la caisse.
6. Enlever les pièces de la charnière inférieure - voir l'illustration de la charnière inférieure.

Inversion des portes (facultatif)

IMPORTANT : Si on souhaite inverser la position des portes pour pouvoir les ouvrir dans la direction opposée, voir les instructions dans "Inversion des portes (facultatif)". S'il n'est pas nécessaire de changer l'orientation des portes, voir la section "Réinstallation - Portes et charnières".

Caisse

1. Enlever les vis à tête hexagonale de 5/16" de la charnière (côté poignée); transférer ces pièces du côté opposé. Voir l'illustration 1.
2. Enlever les bouchons d'obturation des trous au sommet de la caisse; transférer ceux-ci dans les trous de charnière du côté opposé. Voir l'illustration 2.

Portes

1. Enlever les butées de porte du réfrigérateur et du congélateur et les transférer du côté opposé. Voir les illustrations 3 et 4.

Réinstallation - Portes et charnières

REMARQUE : Si on inverse le sens d'ouverture des portes, considérer l'image symétrique.

1. Replacer les pièces de la charnière inférieure tel qu'illustré et resserrer les vis. Voir l'illustration de la charnière inférieure. Replacer la porte du réfrigérateur.
REMARQUE : Prévoir un support additionnel des portes pendant la réinstallation des charnières. La force d'attraction des aimants des portes ne suffit pas à les maintenir en place.
2. Assembler les pièces de la charnière centrale. Voir l'illustration. Serrer toutes les vis. Voir l'illustration de la charnière centrale. Replacer la porte du compartiment de congélation.
3. Assembler les pièces de la charnière supérieure. Voir l'illustration de la charnière supérieure. Ne pas complètement serrer les vis.
4. Aligner correctement les portes au niveau du bas de la porte du compartiment de congélation et du sommet de la porte du réfrigérateur. Serrer toutes les vis.

Étapes finales

1. Inspecter tous les trous. Vérifier que tous les bouchons obturateurs et vis sont en place. Réinstaller le couvercle de la charnière supérieure. Voir l'illustration - charnière supérieure.
2. Réinstaller la grille de la base. Voir l'illustration - grille de la base.

⚠ AVERTISSEMENT



Risque de choc électrique

Brancher sur une prise à 3 alvéoles reliée à la terre.

Ne pas enlever la broche de liaison à la terre.

Ne pas utiliser un adaptateur.

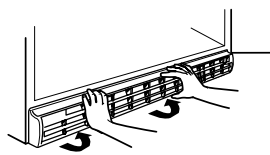
Ne pas utiliser un câble de rallonge.

Le non-respect de ces instructions peut causer un décès, un incendie ou un choc électrique.

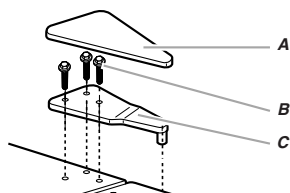
3. Brancher sur une prise à 3 alvéoles reliée à la terre.
4. Effectuer les réglages nécessaires. Voir "Utilisation des commandes".
5. Réinstaller les balconnets et autres pièces amovibles; répartir les aliments sur les balconnets.

Démontage et réinstallation de la porte

Grille de la base

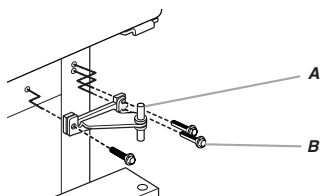


Charnière supérieure



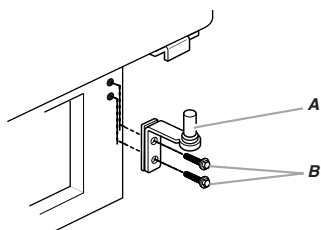
- A. Couvercle de charnière supérieure
 B. Vis de charnière à tête hexagonale de $\frac{5}{16}$ "
 C. Charnière supérieure

Charnière centrale



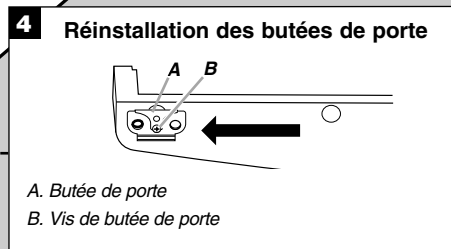
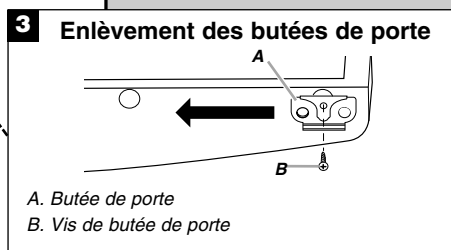
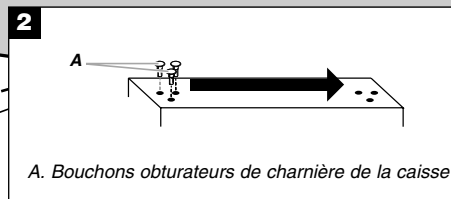
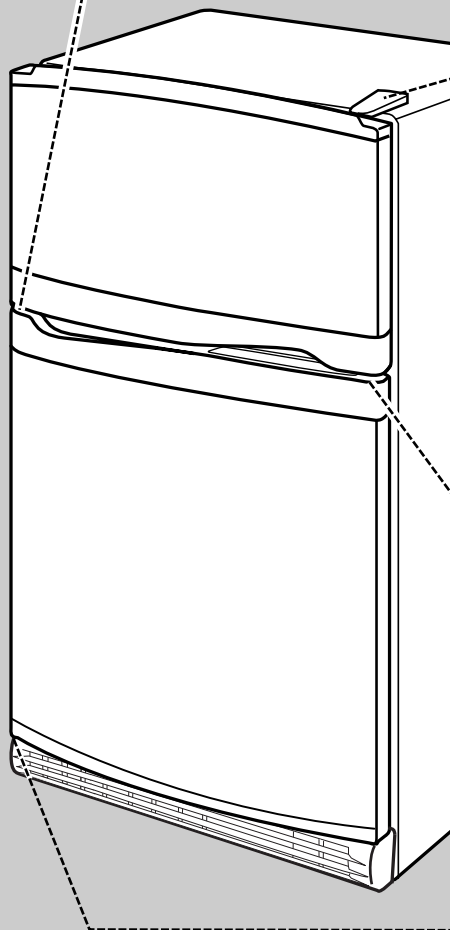
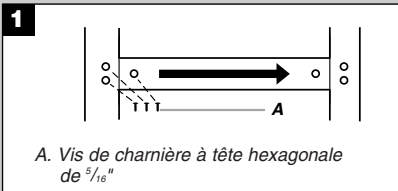
- A. Charnière centrale
 B. Vis de charnière à tête hexagonale de $\frac{5}{16}$ "

Charnière inférieure



- A. Charnière inférieure
 B. Vis de charnière à tête hexagonale de $\frac{5}{16}$ "

Inversion du sens d'ouverture de la porte (option)



Ajustement des portes

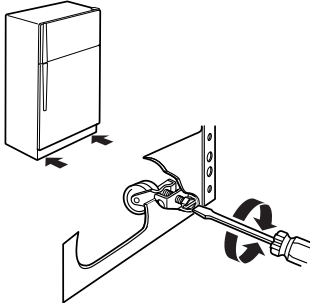
REMARQUE : Si votre réfrigérateur est muni de roulettes, les vis de nivellement ne fonctionneront pas. Dans ce cas, il est possible de placer des cales sous les roulettes pour niveler le réfrigérateur.

Fermeture des portes

Votre réfrigérateur présente deux roulettes réglables à l'avant – l'une du côté droit et l'autre du côté gauche. Si votre réfrigérateur semble instable ou si vous désirez que les portes se ferment plus facilement, faire le réglage de l'inclinaison du réfrigérateur en suivant les instructions ci-dessous :

1. Enlever la grille de la base. Voir l'illustration - Grille de la base. Les deux vis de nivellement font partie des montages de roulettes avant qui sont à la base du réfrigérateur d'un côté et de l'autre.
2. Utiliser un tournevis pour ajuster les vis de nivellement. Tourner la vis de nivellement vers la droite pour soulever ce côté du réfrigérateur ou tourner la vis de nivellement vers la gauche pour abaisser ce côté. Plusieurs tours des vis de nivellement peuvent être nécessaires pour régler l'inclinaison du réfrigérateur.

REMARQUE : Si une autre personne pousse le haut du réfrigérateur, le poids devient moins lourd sur les vis de nivellement et les roulettes, ce qui rend plus facile l'ajustement des vis.



3. Ouvrir les deux portes de nouveau et s'assurer qu'elles se ferment aussi facilement que vous le désirez. Sinon, incliner le réfrigérateur un peu plus vers l'arrière en tournant les deux vis de nivellement vers la droite. Plusieurs tours peuvent être nécessaires et vous devez tourner les deux vis de nivellement d'un espace égal.
4. Réinstaller la grille de la base.

Alignement des portes

Si l'espace entre les portes semble inégal, on peut faire le réglage en suivant les instructions ci-dessous :

1. Soulever et enlever le couvercle de la charnière supérieure.
2. Dégager les vis de la charnière supérieure en utilisant une douille de $\frac{5}{16}$ " ou une clé.
3. Demander à une personne de tenir la porte en place ou placer un espaceur entre les portes pendant que vous serrez les vis de la charnière supérieure.
4. Réinstaller le couvercle de la charnière supérieure.

Installation des roulettes

⚠ AVERTISSEMENT

Risque du poids excessif

Utiliser deux ou plus de personnes pour déplacer et installer le réfrigérateur.

Le non-respect de cette instruction peut causer une blessure au dos ou d'autre blessure.

Rassembler les outils et pièces nécessaires avant de commencer l'installation.

OUTILS NÉCESSAIRES :

- Tourne-écrou ou clé à douille de $\frac{1}{2}$ "
- Tourne-écrou ou clé à douille de $\frac{3}{8}$ "
- Clé de $\frac{1}{2}$ "

PIÈCES FOURNIES :

- Roulettes non orientables (2)
- Roulettes pivotantes (2)
- Écrous indesserrables $\frac{5}{16}$ —18 (16)
- Vis à tête hexagonale $\frac{5}{16}$ —18 x $\frac{7}{8}$ " (16)
- Boulons à tête hexagonale autotaraudants $\frac{1}{4}$ —20 x $1\frac{1}{4}$ " (4)
- Rondelles-freins $\frac{1}{4}$ —20 x $1\frac{1}{4}$ " (4)
- Brides de roulette (dans le sachet de pièces) (2)
- Barres d'appui de plastique (expédiées avec le réfrigérateur)

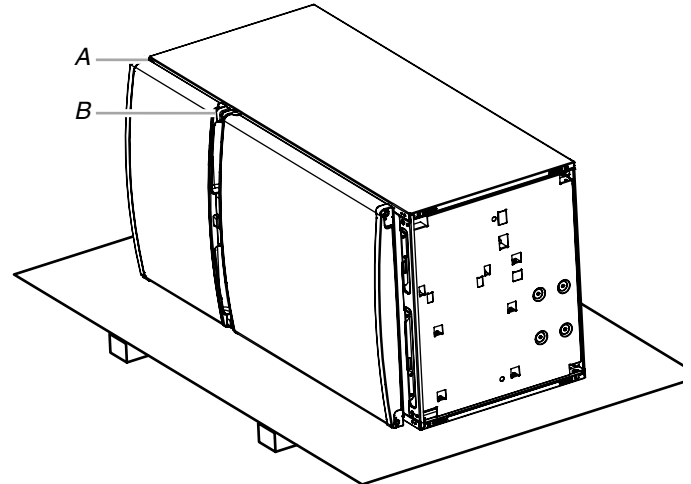
1. Avant d'entreprendre l'installation, placer la commande du réfrigérateur à la position d'arrêt.
2. Débrancher le réfrigérateur ou déconnecter la source de courant électrique.
3. Retirer du réfrigérateur tous les aliments et les étagères et bacs qui s'y trouvent.

4. Ouvrir la porte du compartiment inférieur et retirer la grille de la base : saisir la grille avec les deux mains, soulever et tirer le bas de la grille vers l'avant.
5. Placer les barres d'appui de plastique (expédiées avec le réfrigérateur) sur le sol (espacement d'au moins 3 pi (91,44 cm)). Placer par-dessus les barres d'appui une feuille de carton ou autre matériau protecteur; le réfrigérateur sera ainsi plus haut, ce qui facilitera l'installation des roulettes et le protégera contre les éraflures.

REMARQUE : Si les barres d'appui ont été jetées ou ne sont pas disponibles, on peut utiliser des tronçons de poteau de bois 2" x 4".

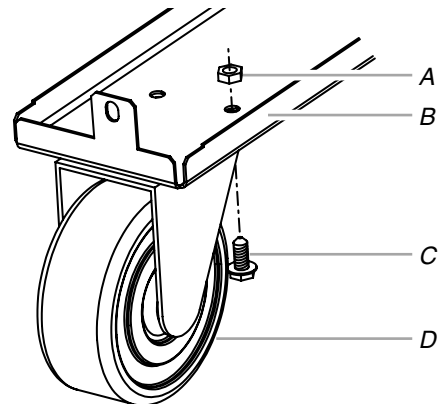
6. Placer le réfrigérateur en appui sur son côté, par-dessus la feuille de carton ou autre matériau de protection. Veiller à ce que la charnière de porte soit orientée vers le haut.

IMPORTANT : Il est important que la charnière de porte soit orientée vers le haut durant tout le processus d'installation des roulettes.



A. Charnière supérieure
B. Charnière centrale

7. Retirer de la boîte les roulettes et les organes de fixation.
8. Retirer du sachet de pièces les brides de roulette.
9. Utiliser des vis à tête hexagonale $\frac{5}{16}$ —18 x $\frac{7}{8}$ " pour fixer une roulette non orientable et une roulette pivotante sur chaque bride de roulette. La roulette non orientable doit être placée à l'avant de la bride, et la roulette pivotante doit être placée à l'arrière.
10. Insérer les vis par le dessous et visser les écrous sur les vis de fixation de chaque roulette.

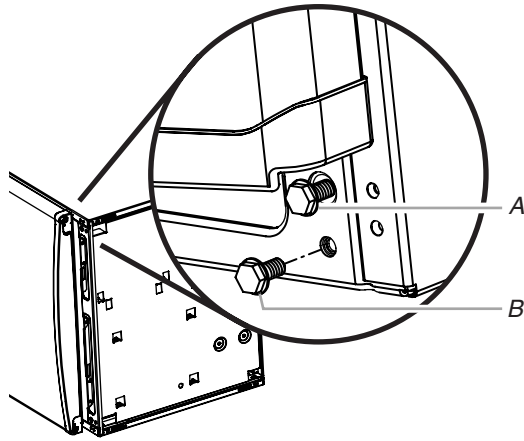


A. Écrou indesserrable
B. Bride de roulette
C. Vis à tête hexagonale $\frac{5}{16}$ —18 x $\frac{7}{8}$ "
D. Roulette

11. Pour le serrage final des écrous indesserrables avec une clé à douille, immobiliser la vis avec une clé.
12. À l'aide d'une clé à douille de $\frac{1}{2}$ ", enlever les quatre vis (deux de chaque côté) à l'avant et à l'arrière du réfrigérateur (partie inférieure).

REMARQUE : Ne pas enlever la vis de réglage de l'aplomb.

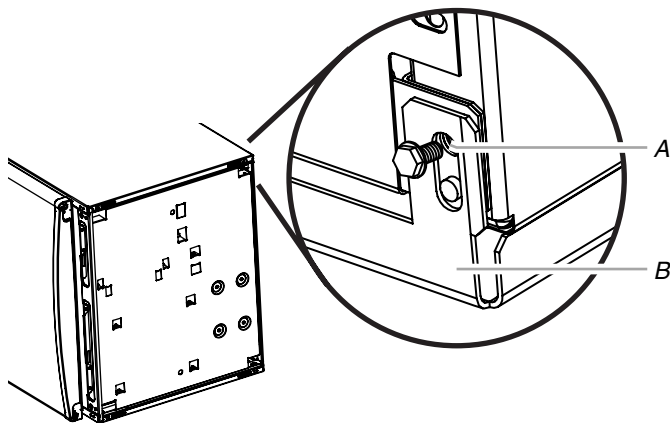
Angle inférieur/avant



A. Vis de réglage de l'aplomb (ne pas enlever)
B. Vis du réfrigérateur/congélateur

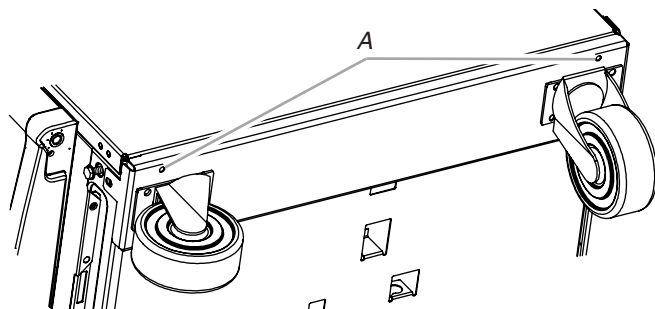
13. Positionner la bride de roulette pour que la fente à l'arrière soit alignée avec le trou à l'arrière du réfrigérateur. Aligner le trou de l'avant de la bride de roulette avec le trou de l'avant du réfrigérateur.

Angle inférieur/arrière



A. Trou arrière du réfrigérateur/congélateur
B. Bride de roulette

14. Maintenir la bride en place, et insérer les vis dans les trous à l'avant et à l'arrière du réfrigérateur; visser et serrer les vis.
REMARQUE : Ne pas serrer excessivement.
15. Dans les deux trous sur le côté de la bride de roulette, insérer deux boulons à tête hexagonale autotaraudants $\frac{1}{4}$ –20 x $1\frac{1}{4}$ " munis de leur rondelle-frein. Pousser la bride de roulette contre le fond du réfrigérateur, et serrer les vis avec une clé à douille de $\frac{3}{8}$ ".

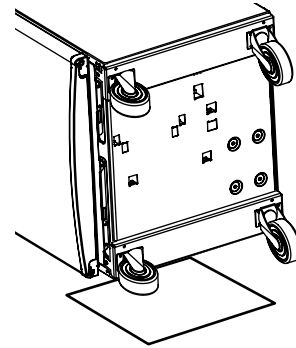


A. Trous pour bride de roulette

16. Répéter les étapes 12 à 15 pour la seconde bride de roulette.

Achever l'installation

1. Bloquer les roulettes avant.
REMARQUE : Le blocage des roulettes aide à empêcher le réfrigérateur de bouger au moment de le soulever.
2. Insérer un petit morceau de carton entre le frein de roulette et le sol; ceci empêchera le frein de frotter sur le sol.



3. Remettre le réfrigérateur à la position verticale.
4. Réinstaller la grille de la base : insérer les agrafes métalliques dans les ouvertures du panneau métallique, et faire pivoter la grille vers le bas jusqu'à l'emboîtement.
5. Débloquer les roulettes et pousser le réfrigérateur jusqu'à sa position de service.
6. Bloquer les roulettes.

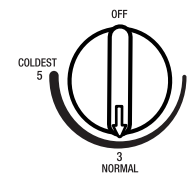
UTILISATION DU RÉFRIGÉRATEUR

Utilisation des commandes

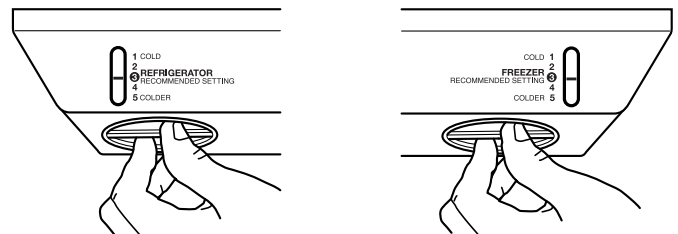
Pour vous accommoder, les commandes du réfrigérateur ont été pré-réglées à l'usine. Au moment de l'installation initiale du réfrigérateur, s'assurer que les commandes sont encore pré-réglées aux réglages moyens tel qu'illustré.

REMARQUE : Pour éteindre le réfrigérateur, tourner le réglage au mot OFF ou jusqu'à ce que le mot OFF (arrêt) apparaisse. Votre appareil ne se refroidira pas lorsque la commande du réfrigérateur est réglée à OFF (arrêt).

Réglage moyen "3"



Réglage moyen "3"



IMPORTANT :

- Donner au réfrigérateur le temps de se refroidir complètement avant d'y ajouter des aliments. Il vaut mieux attendre 24 heures avant de placer des aliments dans le réfrigérateur.
- Si vous ajoutez des aliments avant que le réfrigérateur n'ait complètement refroidi, vos aliments peuvent se gâter. Tourner les réglages du réfrigérateur et du congélateur à un niveau plus élevé (plus froid) que les réglages recommandés ne refroidira pas les compartiments plus vite.

Ajustement des réglages de commandes

Les réglages moyens indiqués à la section précédente devraient être corrects pour l'utilisation normale du réfrigérateur domestique. Les réglages sont faits correctement lorsque le lait ou le jus est aussi froid que vous l'aimez et lorsque la crème glacée est ferme.

Si la température est trop tiède ou trop froide dans le réfrigérateur ou le congélateur, vérifier d'abord les événements pour vous assurer qu'ils ne sont pas bloqués.

S'il est nécessaire d'ajuster les températures, utiliser les réglages indiqués au tableau ci-dessous comme guide. Sur les modèles à deux commandes, ajuster d'abord la température du réfrigérateur. Attendre au moins 24 heures entre les ajustements, puis révéifier les températures.

CONDITION/RAISON :	AJUSTEMENT :
RÉFRIGÉRATEUR trop tiède	Régler la commande du RÉFRIGÉRATEUR ou de la TEMPÉRATURE à un degré plus haut
CONGÉLATEUR trop tiède	Régler la commande du CONGÉLATEUR ou de la TEMPÉRATURE à un degré plus haut
RÉFRIGÉRATEUR trop froid	Régler la commande du RÉFRIGÉRATEUR ou de la TEMPÉRATURE à un degré plus bas
CONGÉLATEUR trop froid	Régler la commande du CONGÉLATEUR ou de la TEMPÉRATURE à un degré plus bas

ENTRETIEN DU RÉFRIGÉRATEUR

Nettoyage

AVERTISSEMENT



Risque d'explosion

Utiliser un produit de nettoyage ininflammable.

Le non-respect de cette instruction peut causer un décès, une explosion ou un incendie.

Les sections de réfrigération et de congélation se dégivrent automatiquement. Toutefois, nettoyer les deux sections environ une fois par mois pour éviter une accumulation d'odeurs. Essuyer les renversements immédiatement.

IMPORTANT : Comme l'air circule entre les deux sections, toutes les odeurs formées dans une section seront transférées à l'autre. Vous devez nettoyer à fond les deux sections pour éliminer les odeurs. Pour éviter le transfert d'odeurs et l'assèchement des aliments, envelopper ou recouvrir hermétiquement les aliments.

Nettoyage de votre réfrigérateur :

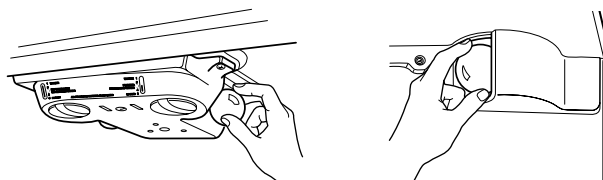
REMARQUE : Ne pas utiliser des nettoyants abrasifs tels que les nettoyants à vitre en atomiseurs, nettoyants à récurer, liquides inflammables, cires nettoyantes, détergents concentrés, eau de Javel ou nettoyants contenant du pétrole sur les pièces en plastique, les garnitures intérieures et de portes ou les joints de portes. Ne pas utiliser d'essuie-tout, tampons à récurer ou autres outils de nettoyage abrasifs.

1. Débrancher le réfrigérateur ou déconnecter la source de courant électrique.
2. Laver à la main, rincer et sécher les pièces amovibles et les surfaces internes à fond. Utiliser une éponge propre ou un linge doux et un détergent doux dans de l'eau tiède.
3. Laver les surfaces extérieures en acier inoxydable ou en métal peint avec une éponge propre ou un linge doux et un détergent doux dans de l'eau tiède.
4. Le condenseur n'a pas besoin d'être nettoyé souvent dans des conditions de fonctionnement normales. Si l'environnement est particulièrement gras, poussiéreux, ou s'il y a des animaux domestiques dans la maison, le condenseur devrait être nettoyé tous les deux ou trois mois pour assurer une efficacité maximum. Si vous avez besoin de nettoyer le condenseur :
 - Retirer la grille de la base.
 - Utiliser un aspirateur à brosse douce pour nettoyer la grille, les endroits ouverts derrière la grille et la surface à l'avant du condenseur.
 - Replacer la grille de la base lorsqu'on a terminé.
5. Brancher le réfrigérateur ou reconnecter la source de courant électrique.

Remplacement des ampoules d'éclairage

REMARQUE : Toutes les ampoules ne s'adaptent pas forcément à votre réfrigérateur. S'assurer de remplacer l'ampoule par une ampoule pour appareils ménagers de même taille, forme et puissance.

1. Débrancher le réfrigérateur ou déconnecter la source de courant électrique.
2. Retirer l'ampoule située derrière le tableau de commande dans le réfrigérateur ou derrière le protège-ampoule dans le congélateur (sur certains modèles). Remplacer l'ampoule par une ampoule pour appareils ménagers de même puissance.
3. Brancher le réfrigérateur ou reconnecter la source de courant électrique.



DÉPANNAGE

Essayer d'abord les solutions suggérées ici ou visiter notre site Internet et la FAQ (foire aux questions) pour éviter le coût d'un appel de service.

Aux É.-U, www.GladiatorGW.com Au Canada, www.gladiatorgarageworks.ca

Fonctionnement du réfrigérateur

Le réfrigérateur ne fonctionne pas

AVERTISSEMENT



Risque de choc électrique

Brancher sur une prise à 3 alvéoles reliée à la terre.

Ne pas enlever la broche de liaison à la terre.

Ne pas utiliser un adaptateur.

Ne pas utiliser un câble de rallonge.

Le non-respect de ces instructions peut causer un décès, un incendie ou un choc électrique.

- **Le cordon d'alimentation électrique est-il débranché?** Brancher sur une prise à 3 alvéoles reliée à la terre.
- **La prise électrique fonctionne-t-elle?** Brancher une lampe pour voir si la prise fonctionne.
- **Un fusible est-il grillé ou un disjoncteur s'est-il ouvert?** Remplacer le fusible ou réenclencher le disjoncteur. Si le problème persiste, appeler un électricien.
- **La commande est-elle en marche?** S'assurer que la commande du réfrigérateur est bien en marche. Voir "Utilisation de la commande".
- **S'agit-il d'une nouvelle installation?** Accorder 24 heures après l'installation pour que le réfrigérateur se refroidisse complètement.

REMARQUE : Régler la commande de température sur la position la plus froide ne fera pas refroidir le réfrigérateur plus rapidement.

Le moteur semble trop tourner

Il se peut que votre nouveau réfrigérateur fonctionne plus longtemps que l'ancien grâce à son compresseur à haute efficacité et ses ventilateurs. L'appareil peut fonctionner plus longtemps encore si la température de la pièce est chaude, si une importante quantité de nourriture y est ajoutée, si la porte est fréquemment ouverte ou si elle a été laissée ouverte.

Le réfrigérateur semble bruyant

Le bruit des réfrigérateurs a été réduit au cours des années. Du fait de cette réduction, il est possible d'entendre des bruits intermittents venant de votre nouveau réfrigérateur qui n'avaient pas été décelés avec votre ancien modèle. Voici une liste des sons normaux accompagnés d'explications.

- **Pulsation** - les ventilateurs/le compresseur se règlent afin d'optimiser la performance.
- **Sifflement/cliquetis** - écoulement de liquide réfrigérant, mouvement des conduites d'eau ou d'objets posés sur le dessus du réfrigérateur.
- **Bruit d'éclatement** - contraction/expansion des parois internes, particulièrement lors du refroidissement initial.

- **Bruit d'écoulement d'eau** - peut être entendu lorsque la glace fond lors du programme de dégivrage et que l'eau s'écoule dans le plateau de dégivrage.

La porte ne se ferme pas complètement

- **La porte est-elle bloquée en position ouverte?** Déplacer les emballages d'aliments pour libérer la porte.
- **Un compartiment ou une tablette bloquent-ils le passage?** Replacer le compartiment ou la tablette en position correcte.
- **Le couvercle du bac à légumes fait-il obstruction?** Vérifier que le couvercle du bac à légumes est enfoncé complètement de sorte que l'arrière repose sur les supports.

La porte est difficile à ouvrir

AVERTISSEMENT



Risque d'explosion

Utiliser un produit de nettoyage ininflammable.

Le non-respect de cette instruction peut causer un décès, une explosion ou un incendie.

- **Les joints d'étanchéité sont-ils sales ou collants?** Nettoyer les joints et les surfaces de contact au savon doux et à l'eau tiède. Rincer et sécher avec un linge doux.

Température et humidité

La température est trop élevée

- **S'agit-il d'une nouvelle installation?** Accorder 24 heures après l'installation pour que le réfrigérateur se refroidisse complètement.
- **La porte est ouverte fréquemment ou a été laissée ouverte?** Ceci permet à l'air chaud de pénétrer dans le réfrigérateur. Réduire le nombre d'ouvertures de la porte et la maintenir complètement fermée.
- **Une importante quantité d'aliments a-t-elle été ajoutée?** Accorder quelques heures pour que le réfrigérateur revienne à sa température normale.
- **Les réglages sont-ils corrects pour les conditions existantes?** Ajuster les commandes à un réglage plus froid. Vérifier la température au bout de 24 heures. Voir "Utilisation de la commande".

Il y a une accumulation d'humidité à l'intérieur

REMARQUE : Une certaine accumulation d'humidité est normale.

- **La pièce est-elle humide?** Ceci contribue à l'accumulation de l'humidité.
- **La porte est ouverte fréquemment ou a été laissée ouverte?** Ceci permet à l'air humide de pénétrer dans le réfrigérateur. Réduire le nombre d'ouvertures de la porte et la maintenir complètement fermée.

GARANTIE DES GROS APPAREILS MÉNAGERS GLADIATOR® GARAGEWORKS

GARANTIE LIMITÉE DE UN AN

Pendant un an à compter de la date d'achat, lorsque ce gros appareil ménager est utilisé et entretenu conformément aux instructions jointes à ou fournies avec le produit, Whirlpool Corporation ou Whirlpool Canada LP (ci-après désignées "Gladiator® GarageWorks") paiera pour les pièces de rechange FSP® et la main-d'œuvre pour corriger les vices de matériaux ou de fabrication. Le service doit être fourni par une compagnie de service désignée par Whirlpool.

GLADIATOR® GARAGEWORKS NE PRENDRA PAS EN CHARGE

1. Les visites de service pour rectifier l'installation du gros appareil ménager, montrer à l'utilisateur comment utiliser l'appareil, remplacer ou réparer des fusibles ou rectifier le câblage ou la plomberie du domicile.
2. Les visites de service pour réparer ou remplacer les ampoules électriques de l'appareil, les filtres à air ou les filtres à eau. Ces pièces consommables ne sont pas couvertes par la garantie.
3. Les réparations lorsque le gros appareil ménager est utilisé à des fins autres que l'usage unifamilial normal.
4. Les dommages imputables à : accident, modification, usage impropre ou abusif, incendie, inondation, actes de Dieu, installation fautive ou installation non conforme aux codes d'électricité ou de plomberie, ou l'utilisation de produits non approuvés par Gladiator® GarageWorks.
5. Toute perte d'aliments due à une défaillance du réfrigérateur ou du congélateur.
6. Le coût des pièces de rechange et de la main-d'œuvre pour les appareils utilisés hors des États-Unis ou du Canada.
7. Le ramassage et la livraison. Ce gros appareil ménager est conçu pour être réparé à domicile.
8. Les réparations aux pièces ou systèmes résultant d'une modification non autorisée faite à l'appareil.
9. Les frais de transport pour le service d'un produit dans les régions éloignées.
10. La dépose et la réinstallation de votre appareil si celui-ci est installé dans un endroit inaccessible ou n'est pas installé conformément aux instructions d'installation fournies.
11. Le coût des pièces de rechange et de la main-d'œuvre lorsque l'appareil est utilisé dans un pays autre que le pays où il a été acheté.

CLAUSE D'EXONÉRATION DE RESPONSABILITÉ AU TITRE DES GARANTIES IMPLICITES; LIMITATION DES RECOURS

LE SEUL ET EXCLUSIF RECOURS DU CLIENT DANS LE CADRE DE LA PRÉSENTE GARANTIE LIMITÉE CONSISTE EN LA RÉPARATION PRÉVUE CI-DESSUS. LES GARANTIES IMPLICITES, Y COMPRIS LES GARANTIES APPLICABLES DE QUALITÉ MARCHANDE ET D'APTITUDE À UN USAGE PARTICULIER, SONT LIMITÉES À UN AN OU À LA PLUS COURTE PÉRIODE AUTORISÉE PAR LA LOI. WHIRLPOOL N'ASSUME AUCUNE RESPONSABILITÉ POUR LES DOMMAGES FORTUITS OU INDIRECTS. CERTAINES JURIDICTIONS NE PERMETTENT PAS L'EXCLUSION OU LA LIMITATION DES DOMMAGES FORTUITS OU INDIRECTS, OU LES LIMITATIONS DE LA DURÉE DES GARANTIES IMPLICITES DE QUALITÉ MARCHANDE OU D'APTITUDE À UN USAGE PARTICULIER, DE SORTE QUE CES EXCLUSIONS OU LIMITATIONS PEUVENT NE PAS S'APPLIQUER DANS VOTRE CAS. CETTE GARANTIE VOUS CONFÈRE DES DROITS JURIDIQUES SPÉCIFIQUES ET VOUS POUVEZ ÉGALEMENT JOUIR D'AUTRES DROITS QUI PEUVENT VARIER D'UNE JURIDICTION À UNE AUTRE.

À l'extérieur du Canada et des 50 États des États-Unis, cette garantie ne s'applique pas. Contacter votre marchand Gladiator® GarageWorks autorisé pour déterminer si une autre garantie s'applique.

5/07

Pour des informations supplémentaires sur le produit, aux É.-U., visiter www.GladiatorGW.com
Au Canada, visiter www.gladiatorgarageworks.ca

Si vous n'avez pas accès à Internet et que vous nécessitez une assistance pendant l'utilisation du produit ou que vous souhaitez prendre un rendez-vous, vous pouvez contacter Whirlpool au numéro ci-dessous.

Ayez votre numéro de modèle à disposition. Vous pouvez trouver vos numéros de modèle et de série sur la paroi intérieure droite du réfrigérateur.

Pour assistance ou service aux É.-U., composez le 1-866-342-4089. Au Canada, composez le 1-800-807-6777.

Si vous avez besoin de plus d'assistance, vous pouvez écrire à Gladiator® GarageWorks en soumettant toute question ou problème à l'adresse suivante :

Aux États-Unis :

Gladiator® GarageWorks
Customer eXperience Center
553 Benson Road
Benton Harbor, MI 49022-2692

Au Canada :

Whirlpool Brand Home Appliances
Centre d'interaction avec la clientèle
1901 Minnesota Court
Mississauga, Ontario L5N 3A7

Dans votre correspondance, veuillez indiquer un numéro de téléphone où l'on peut vous joindre dans la journée.

Veuillez conserver le manuel de l'utilisateur et le numéro de modèle pour référence ultérieure.

W10131408A
SP PN W10131416A

© 2007 Whirlpool Corporation.
All rights reserved.
Tous droits réservés.

© Registered Trademark/TM Trademark of Whirlpool, U.S.A., Whirlpool Canada LP Licensee in Canada
© Marque déposée/TM Marque de commerce de Whirlpool, U.S.A., emploi sous licence par Whirlpool Canada LP au Canada

10/07
Printed in U.S.A.
Imprimé aux É.-U.