



2100 SOUTH CLEARWATER DRIVE
DES PLAINES, ILLINOIS 60018-5999

FITTING NO.

150.176.XX.1

SUBMITTED MODEL NO.

JOB NAME

ITEM NO.

SUBMITTED AS SHOWN

SOLID BRASS TRIM

MODEL NUMBER

SUBMITTED AS NOTED

POLISHED CHROME

150.176.21.1

SEE ATTACHED FOR
SUBMITTED MODIFICATION

FOREVERSHINE™ PVD BRASS

150.176.GG.1

BRIGHT BRASS

150.176.CL.1

GOLD

150.176.45.1

OLD SILVER/PEWTER

150.176.98.1

SATIN BRASS

150.176.CH.1

ANTIQUÉ BRASS

150.176.97.1

FOREVERSHINE™ PVD BRUSHED NICKEL

150.176.ID.1

BLACK

150.176.EK.1

SATIN CHROME

150.176.FT.1

HARD COAT OIL RUBBED BRONZE

150.176.HM.1

FOREVERSHINE™ PVD POLISHED NICKEL

150.176.IB.1

FOREVERSHINE™ PEARL NICKEL PVD

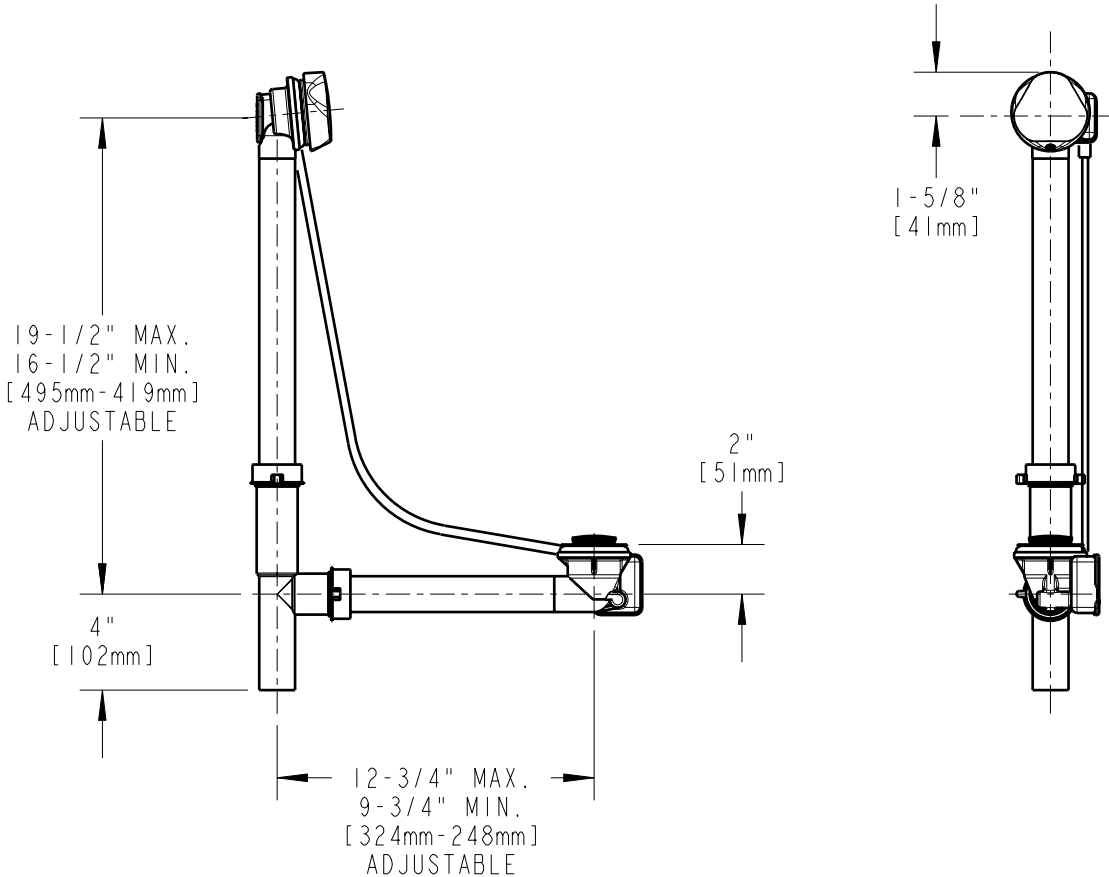
150.176.HD.1

FOREVERSHINE™ SATIN SHEEN

150.176.HI.1

FOREVERSHINE™ PLATINUM

150.176.HJ.1



TECHNICAL DATA

- BATH WASTE AND OVERFLOW WITH TRIM KIT
- SOLID BRASS HANDLE
- SOLID BRASS PLUNGER
- STAINLESS STEEL STRAINER
- FINISH AS SPECIFIED

- 1-1/2" TUBULAR POLYPROPYLENE
- 27" TEFLON® COATED STAINLESS STEEL CABLE
- FITS TUB WALL THICKNESS 1/16" TO 5/16"
- 17"-22" TUB DEPTH
- ASTM F 409 COMPLIANT

DATE: 11-29-04

BY: SID

CHK'D:

APP'D:

REV: A

150.176.XX.1

ROUGHING IN DIMENSIONS MAY VARY AND ARE SUBJECT TO CHANGE. NO RESPONSIBILITY IS ASSUMED FOR USE OF SUPERCEDED OR VOIDED DATA.