



2100 SOUTH CLEARWATER DRIVE
DES PLAINES, ILLINOIS 60018-5999

FITTING NO.

150.157.XX.1

SUBMITTED MODEL NO.

JOB NAME

ITEM NO.

SUBMITTED AS SHOWN

MOLDED TRIM

MODEL NUMBER

SUBMITTED AS NOTED

POLISHED CHROME

150.157.21.1

SEE ATTACHED FOR
SUBMITTED MODIFICATION

FOREVERSHINE™ PVD BRASS

150.157.GG.1

BRIGHT BRASS

150.157.CL.1

GOLD

150.157.45.1

WHITE

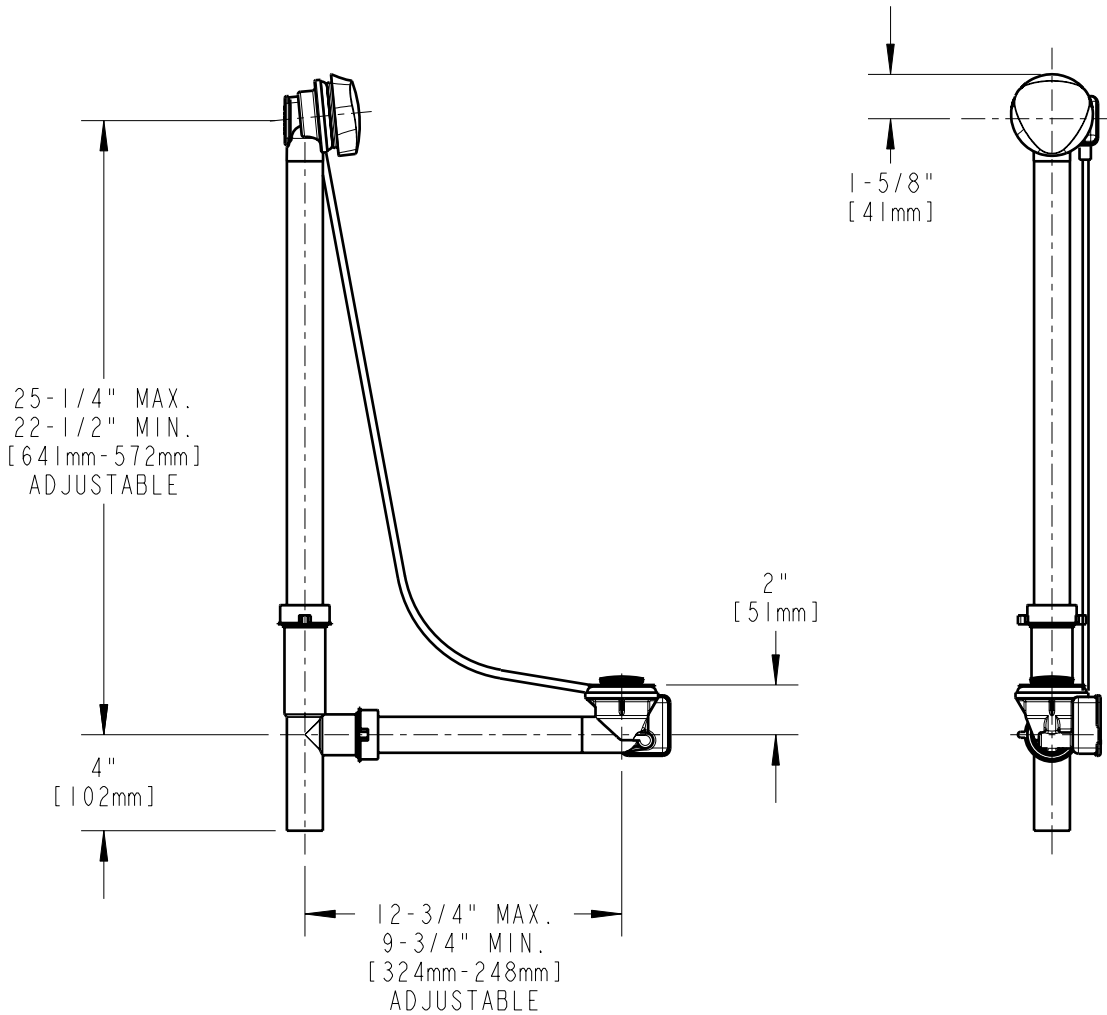
150.157.DY.1

BONE

150.157.AA.1

BISCUIT

150.157.FF.1



TECHNICAL DATA

- BATH WASTE AND OVERFLOW WITH TRIM KIT
- MOLDED PLASTIC HANDLE WITH ADAPTER
- MOLDED PLASTIC OR SOLID BRASS PLUNGER
- STAINLESS STEEL STRAINER
- FINISH AS SPECIFIED

- 1-1/2" TUBULAR POLYPROPYLENE
- 33" TEFLON® COATED STAINLESS STEEL CABLE
- FITS TUB WALL THICKNESS 1/16" TO 5/16"
- 23"-27" TUB DEPTH
- ASTM F 409 COMPLIANT

DATE: 11-29-04

BY: SID

CHK'D:

APP'D:

REV: A

150.157.XX.1

ROUGHING IN DIMENSIONS MAY VARY AND ARE SUBJECT TO CHANGE. NO RESPONSIBILITY IS ASSUMED FOR USE OF SUPERCEDED OR VOIDED DATA.