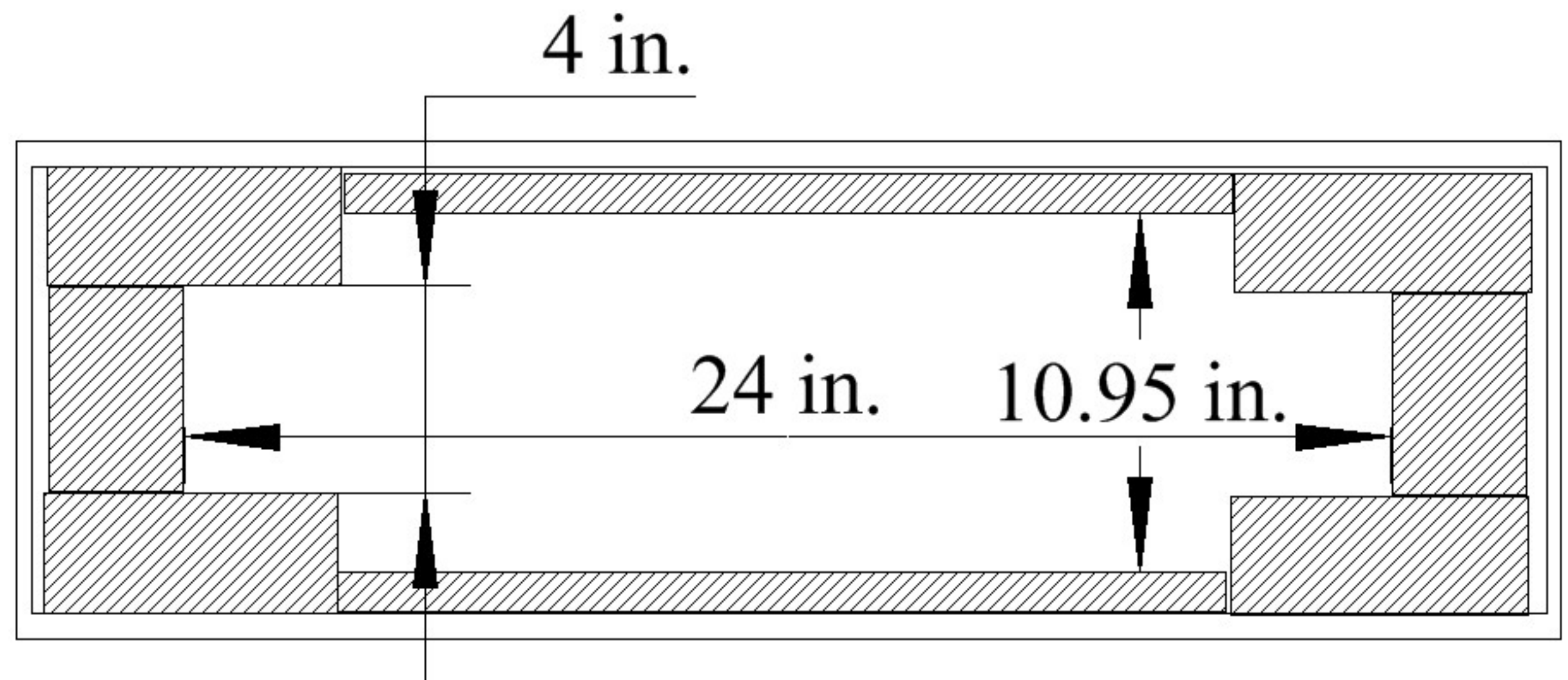
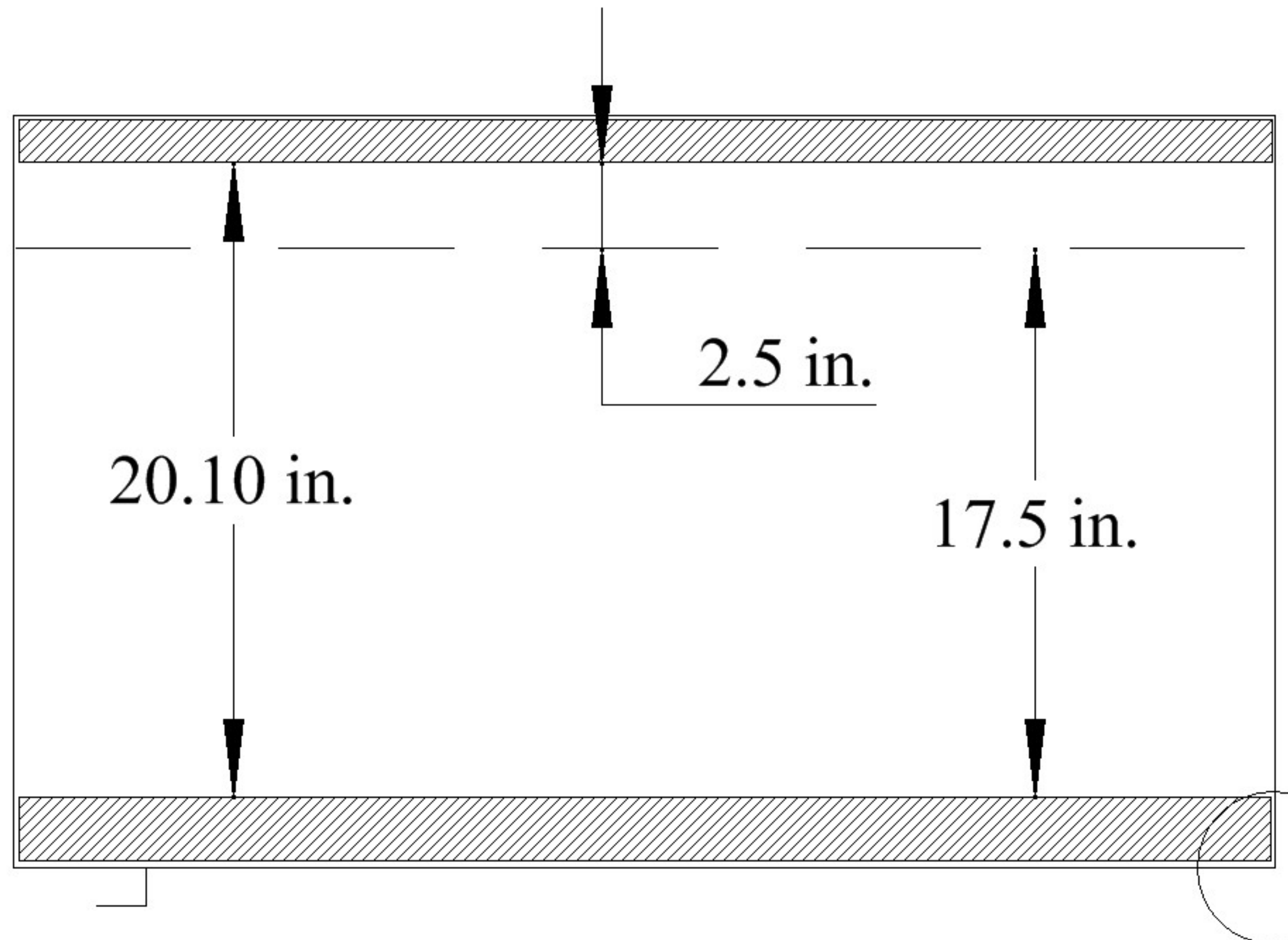


G-TOURLCDP-2023



TOP VIEW



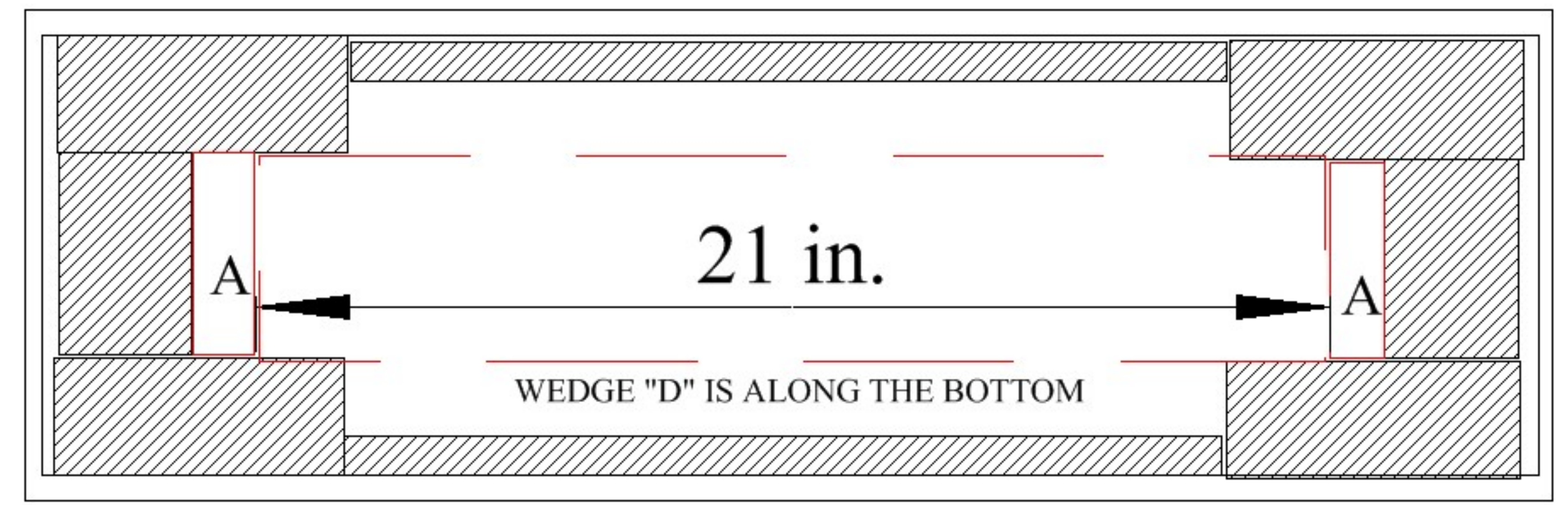
SIDE VIEW

Overall interior size with all removable wedges taken out of the case

Supplied Foam Wedge Sizes		
	QTY	Size in Inches
A	6	17.86 x 4 x 1.5
B	4	17.86 x 4 x 1
C	1	23.5 x 3.6 x 3
D	1	23 x 3.6 x 3
E	1	24 x 5 x 4
F	1	15 x 10 x 1
G	1	15 x 10 x 2

Example Configuration;

Using (1) wedge "A" along each side, and (1) wedge "D" across the bottom would give you a new internal space of 21" x 15" x 4".



There are very many LCD/ PLASMA screens in this size configuration. Therefore we have supplied a number of foam wedges to help accomadate as many of these different models as possible.

To prepare your case for you screen we recommend the following;

- 1- Remove all wedges from the case
- 2- Place your screen in the case as close to the center as possible.
- 3- Without using any wedges to support the actual screen surface, begin to Place wedges around the screen until it is properly supported.

DO NOT PLACE FOAM WEDGES AGAINST THE SURFACE OF THE SCREEN FOR PROTECTION



GATOR CASES INC.
TAMPA, FLORIDA

02-01-07

Gator Cases Inc.

TITLE
G-TOURLCDP-2023

REV

Shipping size is 29" x 20.5" x 13.8"
Shipping Weight is 27 lbs.
All dimensions are subject to change without notice.