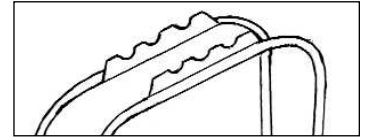


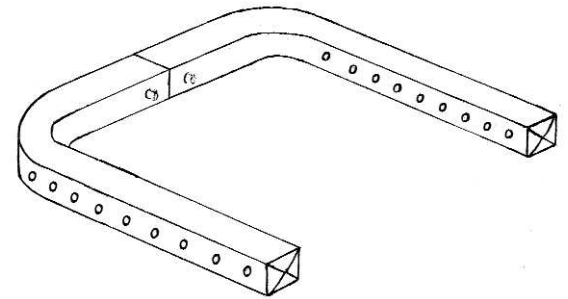
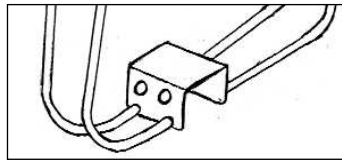


## Take notice of the unique features of the **ONE Expandable Nesting Bike Stand.**

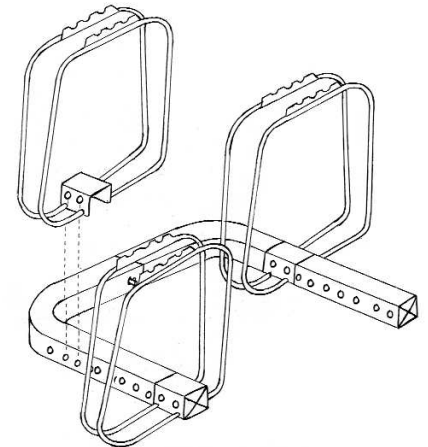
- Multiple wheel rests at the top of each wheel support.
- 1" increment spacing on the base allow you to save even more space where inches make a huge difference.



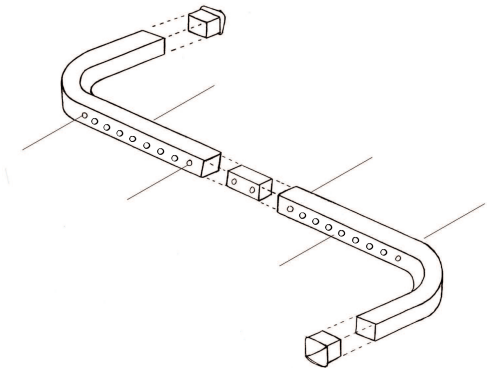
- The offset of the wheel support enables it to connect inside or outside the base.



**In addition to saving space, the above features all help accommodate assorted sizes, styles, handlebars or, bicycles with front baskets.**



- Take the base apart at the center and reconnect opposite ends to park five or six bicycles.



- A two, three or four bicycle format retains the same narrow configuration as a two place.

