

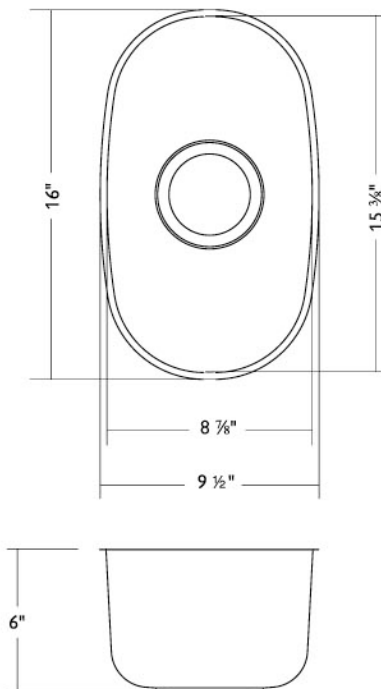
- 18-8 Stainless Steel
- Sound Deadening Pad
- Masonite Template Supplied
- Limited Lifetime Buyer Warranty



Fits 18" Cabinet

Model #	Faucet Holes	Finish Deck/Bowl	Bowl Size ↕ X ↔	Sink Depth	Overall Dimension	Gauge	Cutout Dimension
USCSK600	NA	Silk	15 3/8" x 8 7/8"	6"	16" x 9 1/2"	20	Refer To Template*

\*DXF files are available for use with CNC equipment. Visit our website.



JOB NAME: \_\_\_\_\_

DATE: \_\_\_\_\_

CUSTOMER: \_\_\_\_\_

MODEL SPECIFIED: \_\_\_\_\_

QUANTITY: \_\_\_\_\_

ARCHITECT/ENGINEER: \_\_\_\_\_

CONTRACTOR: \_\_\_\_\_