

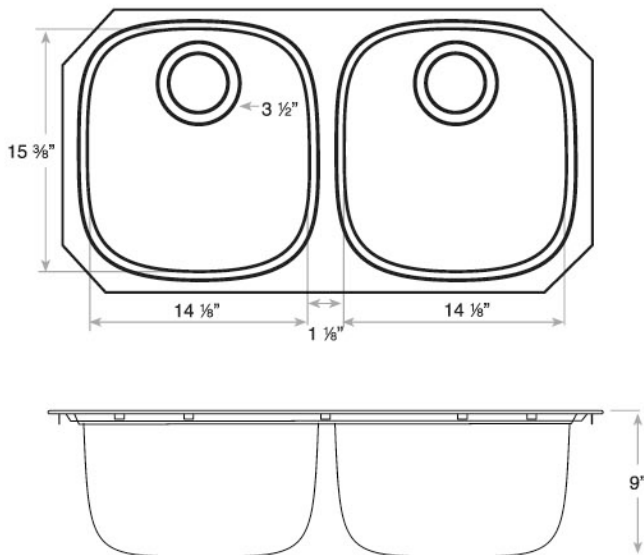
- 18-8 Stainless Steel
- Sound Deadening Pads
- Masonite Template Supplied
- Limited Lifetime Buyer Warranty



Fits 36" Cabinet

Model #	Faucet Holes	Finish Deck/Bowl	Bowl Size ↕ X ↔	Sink Depth	Overall Dimension	Gauge	Cutout Dimension
UDSK900-18	NA	Silk	15 3/8" x 14 1/8"	9"	18" x 32"	18	Refer To Template*

*DXF files are available for use with CNC equipment. Visit our website.



JOB NAME: _____

DATE: _____

CUSTOMER: _____

MODEL SPECIFIED: _____

QUANTITY: _____

ARCHITECT/ENGINEER: _____

CONTRACTOR: _____