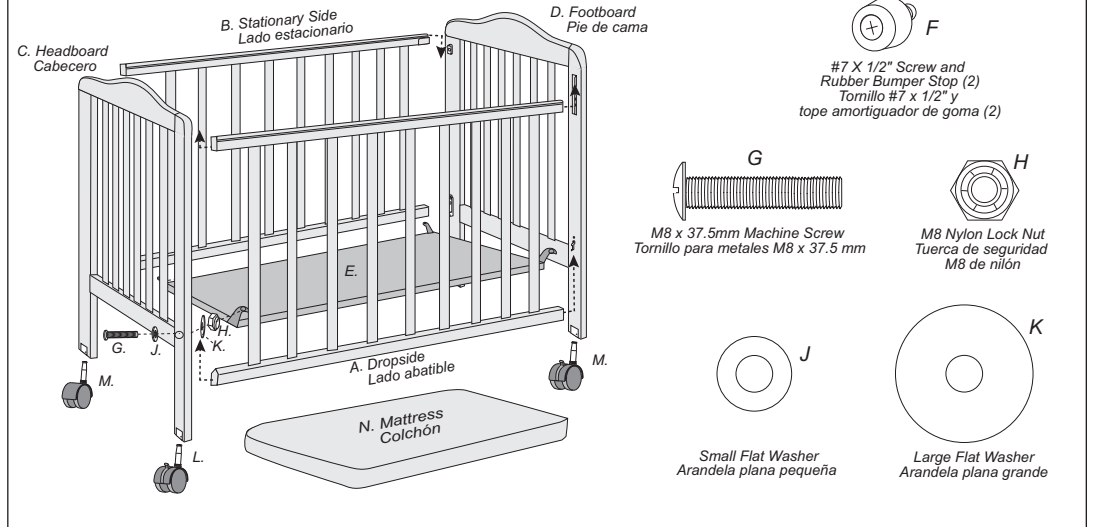




**Keep instructions for future use.
Conserve instrucciones para uso futuro.**

SOME ADULT ASSEMBLY NECESSARY
 TOOLS REQUIRED: ADJUSTABLE WRENCH AND
 PHILLIPS SCREWDRIVER (NOT INCLUDED)
 SE REQUIERE ENSAMBLAJE PARCIAL POR UN ADULTO
 HERRAMIENTAS NECESARIAS: LLAVE AJUSTABLE Y
 DESTORNILLADOR PHILLIPS (DE CRUZ) (no incluido)

TRAVEL SLEEPER™ FOLDING FULL SIZE CRIB



PARTS LIST / LISTA DE PIEZAS

Part Description / Descripción de piezas	Qty. / Cantidad
A. Dropside / Lado abatible	1
B. Stationary Side / Lado estacionario	1
C. Headboard / Cabecero	1
D. Footboard / Pie de cama	1
E. Mattress support / Soporte del colchón	1
F. #7 x 1/2" screw and rubber bumper stop / Tornillo #7 x 1/2" y el tope amortiguador de goma	2
G. M8 x 37.5mm Connector bolt / Perno de conexión M8 x 37.5mm	2
H. M8 Nylon Insert Lock Nut / Tuerca de seguridad M8 con inserto de nylon	2
J. Small Flat Metal Washer / Arandela plana de metal pequeña	2
K. Large Flat Metal Washer / Arandela plana de metal grande	2
L. Locking casters / Ruedas de inmovilización	2
M. Nonlocking casters / Ruedas libres	2
N. Mattress / Colchón	1

ASSEMBLY INSTRUCTIONS

- Read all instructions BEFORE assembly and USE of crib.
- Unpack carton and identify all parts.
- Ask your dealer or call Foundations™ at 1-866-740-0195 (Monday through Friday, 9:00 a.m.–4:00 p.m. Eastern Time) for assistance, replacement parts, or instructions if needed. Please have ready the crib model number and manufacture date from the label on the bottom rail of Headboard.

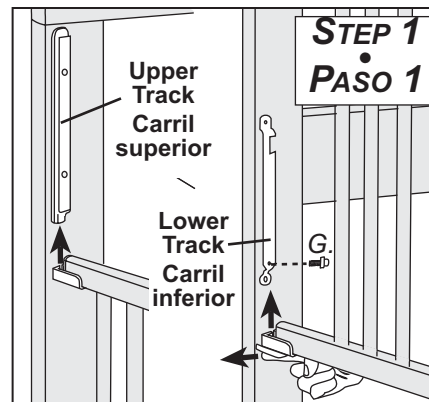
⚠ WARNING

- Before each usage or assembly, inspect all parts for damaged hardware, loose joints, missing parts or sharp edges. DO NOT use crib if any parts are missing or broken. DO NOT substitute parts.
- Choking hazard - Crib assembly hardware includes small parts. Keep small parts away from children.
- Avoid pinching injury. Keep fingers away from hinges during assembly and set-up of crib.

STEP 1 - DROPSIDE ASSEMBLY

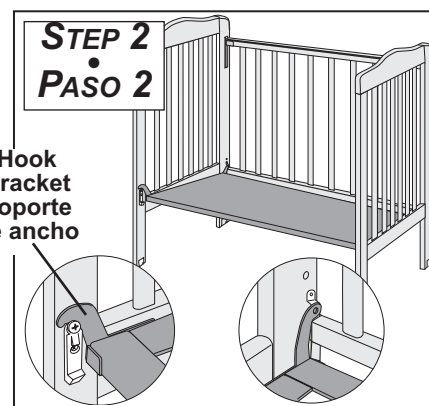
Before assembling, make sure the dropside is positioned so that the "PUSH" plate is at the bottom and facing outward.

1. Standing inside crib, align upper glide on **Dropside (A)** with bottom end of upper track on **Headboard (C)**.
2. Align lower glide on **Dropside** with bottom end of lower track on **Headboard**.
3. Push spring-loaded lever on lower glide assembly outward and hold while raising dropside.
4. Raise dropside until rail locks in the upper position.
5. Screw **#7 x 1/2" Screw and Rubber Bumper Stop (G)** into screw hole at bottom of lower track. **Do not over-tighten screw.**
6. Repeat steps 2. through 5. above for the opposite end of Dropside and **Footboard (D)**.



STEP 2 - MATTRESS SUPPORT

1. While standing at the open side of the crib and holding **Mattress Support (E)** with the instruction label toward the dropside and **Hinge Brackets** at the bottom, place the **Mattress Support** in between the **Headboard** and **Footboard** and rest **Hinge Brackets** on top of the lower tracks on the drop sides.
2. Swing **Mattress Support** down and place **Hook Brackets** on large metal screws at top of Stationary Side lower glides.



STEP 3 - STATIONARY SIDE ASSEMBLY

1. Standing outside crib, position the **Stationary Side (B)** with the metal retainer brackets facing inside the crib and plastic teething protector at top.
2. Align lower and upper glides on the end of the **Stationary Side** with the lower and then the upper tracks on the **Headboard**.
HINT: It is easier to align the lower glide first and then the upper glide.
3. Gently push down until they snap into position.
4. Repeat steps 2. through 3 to attach **Stationary Side** to the **Footboard**.



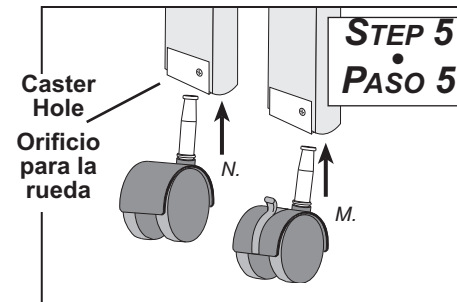
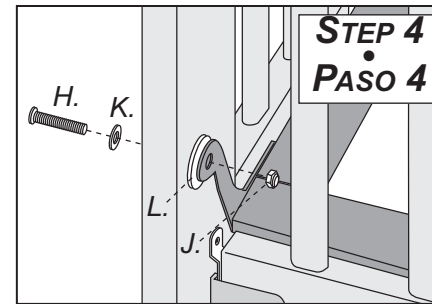
STEP 4 - MATTRESS SUPPORT ASSEMBLY

1. Place one **Small Washer (K)** onto one **M8 x 37.5 Machine Screw (H)** and insert into hole in Wide Corner Post located just above lower track.
2. From inside crib, slip one **Large Washer (L)** onto the end of the screw.
3. Lift **Mattress Support** and push screw through hole in Hinge Bracket.
4. Screw an **M8 Nylon Lock Nut** onto end of screw and hand tighten.
5. Repeat step 1. through 4. for other end of crib.
6. Securely tighten both **M8 Nylon Lock Nuts** using Adjustable Wrench and Phillips Screwdriver. Screw tip should pass completely through Nylon insert in Lock Nut. Nuts **MUST** lock onto screws.

STEP 5 - CASTER ASSEMBLY

Note: Locking Casters should be positioned on at the ends of the Dropside where they are easily accessible.

1. Standing at Dropside, lift crib and insert a **Caster (M)** into a caster hole on bottom of **Headboard**. While holding the **Caster** in place, set it on the floor and push down on the leg until the caster snaps into position.
2. Repeat step 1. at opposite end of Dropside.
3. Repeat step 1. on the Stationary Side of crib using the **Nonlocking Casters (N)**.



This completes the assembly.

WARNING

Failure to follow these warnings and the assembly instructions could result in serious injury or death!

- The crib, including side rails, must be fully erected prior to use. Make sure latches are secured.
- DO NOT** leave child in crib with side lowered. Be sure side is in raised and locked position whenever child is in crib.
- Always provide the supervision necessary for the continued safety of your child. When used for play, **NEVER** leave child unattended.
- Strings can cause strangulation! **DO NOT** place items with a string around a child's neck such as hood strings or pacifier cords. **DO NOT** suspend strings over crib or attach strings to toys.
- To reduce the risk of SIDS, pediatricians recommend healthy infants be placed on their back to sleep unless otherwise advised by your physician.
- DO NOT** place crib near window where cords from blinds or drapes may strangle a child.
- DO NOT** use crib near objects that child could reach or pull into crib and cause injury such as lamps, heaters, fireplaces, or ironing boards.
- When child is able to pull to standing position, remove bumper pads, large toys, and other objects that could serve as steps for climbing out.
- Discontinue use of the crib when child is able to climb out or reaches the height of 35 inches (90 cm). The child should be placed in a youth or regular bed.
- Replace teething rail if damaged, cracked or loose.
- If refinishing, use a non-toxic finish specified for children's products.
- DO NOT** use a water mattress with this crib.
- To avoid injuries, do not allow children to climb or play on or under the crib.

WARNING

Infants can suffocate

- In gaps between a mattress too small or too thick and side of crib.
- On soft bedding.
NEVER add a mattress, pillow, comforter or padding.
- **Never** use plastic shipping bags or other plastic film as mattress covers not sold and intended for that purpose. They can cause suffocation.

WARNING:

ANY MATTRESS USED IN THIS CRIB MUST BE AT LEAST 51-5/8 INCHES LONG BY 27-1/4 INCHES WIDE WITH A THICKNESS NOT EXCEEDING 3 INCHES.

OPERATION AND STORAGE

- This crib is guaranteed to meet all federal and state standards and will provide many years of service provided you adhere to the following guidelines for assembly, maintenance and operation.
- Never aim or point a vaporizer or humidifier directly at the crib. The water vapor will ruin the finish of the crib, as it would any other fine piece of furniture.
- For parts or assistance, call Foundations™.

Operation of dropside:

1. Grasp middle of dropside rail.
2. Lift slightly, while pushing in with leg on bottom rail of dropside.
3. Carefully push dropside down to the lowest position.
NEVER leave child in crib when dropside is in lowest, or unlocked, position.

Folding and Set Up:

1. See instructions on bottom of mattress support.

Disassembly and Storage:

1. Remove the crib mattress.
2. Follow the instructions in reverse order, starting with Step 3.
3. Store your crib in a cool, dry place.

MAINTENANCE AND CLEANING

CAUTION: Periodically check the safety of your crib by making certain all screws, nuts, and bolts are tightened securely. Call Foundations™ to replace any broken or missing parts. DO NOT substitute parts.

- Your crib may be cleaned using a damp cloth with mild soap or a soft dry cloth.
- Avoid using furniture polish or cleaning agents that may be hazardous to children.
- To clean Clear or Mirror Panels, use mild dish soap, water, and a soft cloth. Wipe the surface, applying only light pressure to remove grease or oil. Do not use window-cleaning sprays, kitchen scouring compounds or other chemicals.
- To remove fine scratches from Clear or Mirror Panels, hand polish with a plastic scratch remover or compound cleaner.
- Replace teething rail if damaged, cracked or loose.
- If refinishing, use only non-toxic finish specified for children's products.

ONE YEAR LIMITED WARRANTY

Foundations™ warrants this product to be free from all defects in material and workmanship when used according to the manufacturer's instructions to the original owner for a period of one year from date of purchase. The warranty does not apply to damage caused by product alteration, normal wear and tear, misuse or abuse of the product. Keep your sales receipt as a record of the date of purchase. For replacement parts or warranty issues, please contact Foundations™ as we are better able to serve you. DO NOT return the product to your retailer or distributor.

If you need assistance, call or write:
Foundations™, P.O. Box 1910, Medina, OH 44258-1910
Telephone 1-866-740-0195, Fax 1-330-721-6799



Division of Shamrock Industries, Inc.
P.O. Box 1910
Medina, OH 44258-1910
1-866-740-0195